

Electronics cases - Interscale M

19" cases

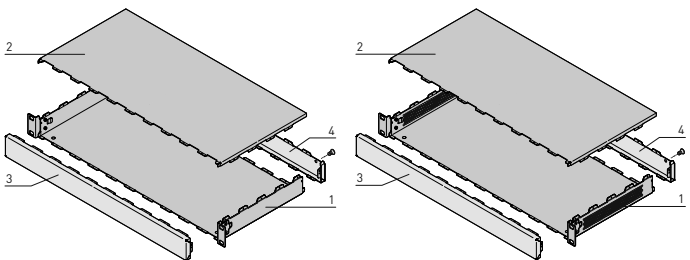


- Modular 19" case consisting of 4 easy-to-assemble parts
- Case available in two versions: Plain or perforated for forced cooling with fans
- Ingress protection IP 30 (plain version)
- Color RAL 7016

NEW

Delivery includes

Item	Qty	Description
1	1	Base with 2 side panels (plain or perforated), St, 1 mm, AlZn coated, RAL 7016 (anthracite gray); 19"-angle, 1,5 mm St, AlZn coated, RAL 7016
2	1	Top cover, St, 1 mm, AlZn coated, RAL 7016
3	1	Front panel, Al, 1 mm, RAL 7016
4	1	Rear panel, Al, 1 mm, RAL 7016
5	1	Assembly kit and user manual



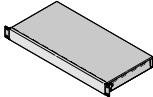

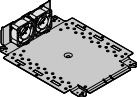
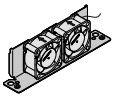
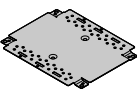

Plain case

Perforated case



ServicePLUS see page 8.112

Order Information

Height	Width	Depth	19" case plain	19" case perforated	19" case, perforated Mounting plate with built-in fan	Fan holder with fans	Mounting plate	PCB support for mounting plate	
					 Page 5.124	 Page 5.125	 Page 5.126	 Page 5.126	
U	mm	mm	mm	Part no.	Part no.	Part no.	Part no.	Part no.	
1	44	444	221	14821-105	14826-105	24827-105	24828-105	24822-005	24827-025
1	44	444	310	14821-107	14826-107	24827-107	24828-107	24822-007	24827-027
2	88	444	221	14821-205	14826-205	24827-205	24828-205	24822-005	24827-025
2	88	444	310	14821-207	14826-207	24827-207	24828-207	24822-007	24827-027
3	133	444	221	14821-305	14826-305	24827-305	24828-305	24822-005	24827-025
3	133	444	310	14821-307	14826-307	24827-307	24828-307	24822-007	24827-027

Accessories

Assembly tool plastic, with Torx T10 bit, 1 kit	24820-001
Adhesive base Height 5 mm, PU 10 pieces (adhesive base, screw, washer)	24827-005
Adhesive base Height 7 mm, PU 10 pieces (adhesive base, screw, washer)	24827-007
Adhesive base Height 9 mm, PU 10 pieces (adhesive base, screw, washer)	24827-009
Clip for horizontal rail mounting PU 2 pieces	24820-002

Note

- Modified or customized cases on request