



SERIES 6450 - KEY SWITCHES

TO 100 mA 28 V



PRODUCT FEATURES

- Single-pole normally open contact with key cap
- Narrow design with proven switching principle of series 6425
- Pleasant actuating characteristic and low actuation noise
- Low bounce time
- Long life endurance
- Standard with gold plated contacts

ON REQUEST

- Other key cap colors
- Labeled key caps

Contact resistance (new condition)	< 250 mOhm
Insulation resistance (new condition)	> 100 MOhm
Contact material	Au
Contact distance	< 3 mm
Bounce time	< 5 ms
Ambient temperature	-20 °C ... +80 °C
Material actuator housing terminals	PA PBTP tinned
Terminal type	PCB terminal
Mechanical life endurance	1E6 bei 10mA 12V

ROCKER SWITCHES

PUSHBUTTON SWITCHES

TOGGLE SWITCHES

SLIDE SWITCHES

ROTARY SWITCHES

FOOT SWITCHES

TACT AND KEY SWITCHES

SMAP-ACTION SWITCHES

MICRO-SIGNAL SWITCHES

SENSORS

ECO

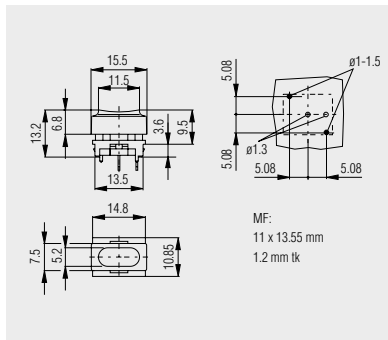
PUSH 'N' DRIVE



SERIES 6450 - KEY SWITCHES

TO 100 mA 28 V

	Actuator color / printing	100 mA 28 V	Operating force (N)	Total travel / stroke (mm)	Miscellaneous	Stock version
Normally open contact (SPNO)						
6450.0001		○	0.7	1.4 ± 0.2	gray	○
6450.0003		○	0.7	1.4 ± 0.2	dark gray	○
6450.0005		○	0.7	1.4 ± 0.2	anthracite similar to RAL 9011	○
6450.0006		○	0.7	1.4 ± 0.2	red similar to RAL 3013	○
6450.0007		○	0.7	1.4 ± 0.2	yellow similar to RAL 1012	
6450.0008		○	0.7	1.4 ± 0.2	green similar to RAL 6001	
6450.0009		○	0.7	1.4 ± 0.2	blue similar RAL 5019	



Narrow key switch with integrated key cap

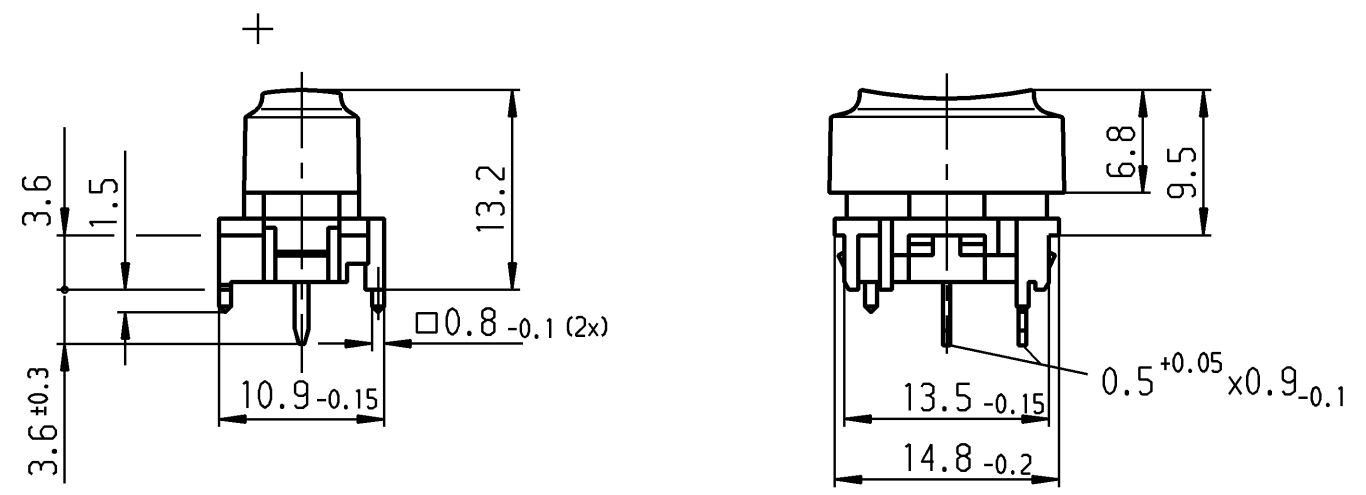
The key base can be snapped into a 1.2 mm thick frame with a cut-out of 11 x 13.55 mm.

Basic type 6450

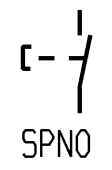
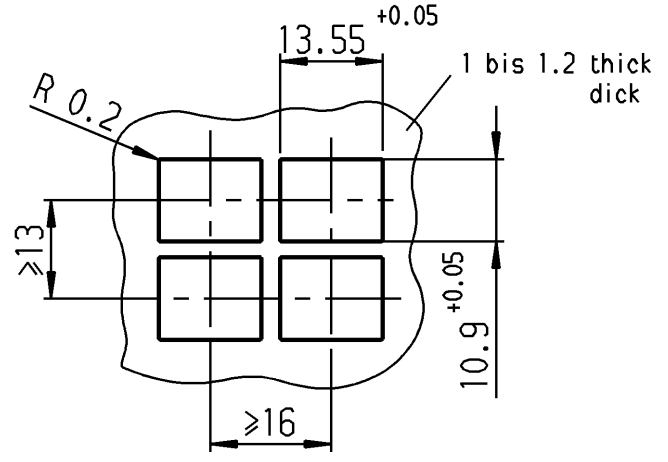
Further information under

WWW.MARQUARDT-SWITCHES.COM

Produkt-Nr.:	1	2	3	4	5	6	7	8	9	0	00				
6450.xxx_End-Nr.	000	001	002	003	004	005	006	007	008	009	010	011			
Produkt-Nr.:													+	-	
6450.xxx_End-Nr.													028	029	
Produkt-Nr.:	•				#										
6450.xxx_End-Nr.	031				035										
Produkt-Nr.:							C	E		H					
6450.xxx_End-Nr.							053	055		058					
Produkt-Nr.:	J	L	M	N	O		Q	R	S		V	W	X		
6450.xxx_End-Nr.	060	062	063	064	065		067	068	069		072	073	074		
Produkt-Nr.:	Y	Z													
6450.xxx_End-Nr.	075	076													
Produkt-Nr.:					⊕			⇨							
6450.xxx_End-Nr.					095			099							
Produkt-Nr.:											?	↘			
6450.xxx_End-Nr.											162	164			
Produkt-Nr.:	⇨⇨	⇨⇧	⇨	•											
6450.xxx_End-Nr.	165	166	168	169											
Produkt-Nr.:															
6450.xxx_End-Nr.															

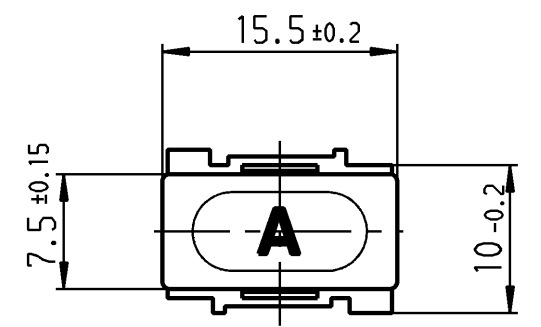


Recommended cut-out for snap-in fixing
(edge opposite to snap-in direction)
Empfohlener Ausschnitt fuer Rastbefestigung
(Grat gegenueber Bestueckungsseite)

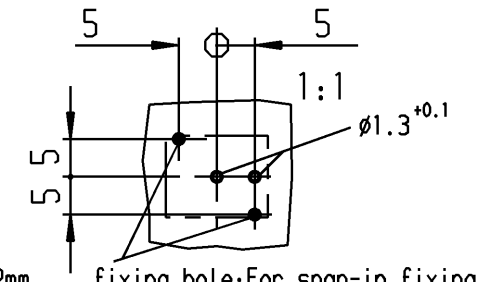


SPNO
total travel
actuating force
voltage
rating

Schließer 1-polig
Gesamtweg 1.4 mm ± 0.2mm
Betaetigungskraft ca. 0.7 N
Schaltspannung max. 28 V
Schaltstrom max. 100 mA



Recommended terminal layout, side of component;
tolerance as per DIN IEC 326 item 3 very fine.
Empfohlenes Lochbild, Bauteileseite;
Toleranz nach DIN IEC 326 Teil 3 sehr fein



fixing hole: For snap-in fixing $\phi 1,3 \pm 0,1$
For mounting on PC-board
fitted for the desired place.
Fixierloch: fuer Rahmenmontage $\phi 1,3 \pm 0,1$
Fuer Lpl-Montage an den
gewuenschten Sitz angepasst.

blue	blau	9
white	weiß	
green	gruen	8
white	weiß	
yellow	gelb	7
white	weiß	
red	rot	6
white	weiß	
anthracite	anthrazit	5
white	weiß	
brown	braun	4
white	weiß	
dark grey	dunkelgrau	3
white	weiß	
	ergograu	2
grey	grau	1
white	weiß	
Key-button	Tastenkopf	End-Nr.
Sign	Zeichen	

Die Zeichen entsprechen etwa der Darstellung!
Sign correspond nearly to representation!

* Anmerkung: Die mit ◻ (ohne Zeichen) und ◼ (mit Zeichen) versehenen Ausfuehrungen entsprechen dem Standardprogramm. Alle nicht so gekennzeichneten Zeichen und Farben sind nur auf Anfrage lieferbar! Bei Bestellung von Tastenknoepfen ohne Zeichen bleibt die End-Nr. entsprechend der Tastenknoepf farbe dieselbe.

All versions which are marked ◻ (with out sign) and ◼ (with sign) are according to our standard program. All symbols and colours which are not marked in that way are available on request only! In case there are ordered buttons without symbol, the last 3 digits of the number remain unchanged which is in accordance with the number of the button's colour.

Schutzvermerk nach DIN 34 beachten COPYRIGHT RESERVED	Allgemeintoleranzen/UNTOLERANCED DIMENSIONS			PROJECTION 	Pause COPY	Blatt SHEET	Zeichn./DRAWING NO.			
	Für Längen und Radien FOR LENGTHS AND RADII.						Original DIN A3 Maßstab SCALE 2:1		K 6450.0001	
	Abmaße in mm für Nennmaßbereich in mm ALL DIMENSIONS ARE IN MILLIMETRES						0 10 20 30 mm			Taste Keyboard-switch
	bis/UP TO 6	über/OVER 6 bis/UP TO 30	über/OVER 30				gez./DRAWN BY 17.11.88 ws gepr./CHECKED BY Sa			
x	57376	18.03.08 BRC	s	35612	15.05.03 wj	Ersatz für/REPLACEMENT OF 6450.0001 v.16.08.77				
w	48579	05.06.07 Mut	r	26276	30.06.98 ws	MARQUARDT Marquardt GmbH, D-78604 Rietheim-Weilheim				
v	38995	13.04.04 wj	q	25574	24.11.97 ws					
u	39258	10.12.03 wj								
t	38683	30.10.03 wj	y	58349	20.05.08 BRC					
Ausg. ISSUE	Aenderung REVISION	gez. DRAWN BY	Ausg. ISSUE	Aenderung REVISION	gez. DRAWN BY					