



Main

Range of product	Magelis iPC
Product or component type	Operator dialogue terminal
Device short name	BOX PC Universal
Processor name	Atom N270 1.66 GHz cache 512 kB
Chipset type	Intel 945GME
Video controller type	Mobile Intel Graphics Media Accelerator (GMA) 4500MHD, 224 Mb
Operating system	MS Windows XP Professional Edition SP3 multi-language
Software package	Vijeo Designer run time demo

Complementary

Range compatibility	Magelis iDisplay
Data storage equipment	500 GB enterprise hard disk
Port Ethernet	10BASE-T/100BASE-T/1000BASE-T
Memory description	Internal 2 GB RAM DDR2 Saved memory SDRAM
Number of slots	1 PCI 1 PCI express 4x
Type of cooling	Fanless
Integrated connection type	DVI-I video port DVI-I DVI-I video port (optional) DVI-I Ethernet TCP/IP with 2 RJ45 COM1 serial link male SUB-D 9 RS232C, transmission rate: 115 kbauds COM2 serial link male SUB-D 9 RS232C, transmission rate: 115 kbauds COM3 serial link (optional) male SUB-D 10 RS232/422/485, transmission rate: 115 kbauds USB 2.0 port USB type A, transmission rate: 480 Mbit/s on front panel USB 2.0 port with 4 USB type A, transmission rate: 480 Mbit/s on top panel
[Us] rated supply voltage	24 V DC power supply
Supply voltage limits	18...30 V
Line Rated Current	6 A
Inrush current	7 A
Control type	ON/OFF push-button (equipment ON and OFF) Push-button (reset)
Local signalling	Multi-colour LED Yellow LED
Depth	4.76 in (121 mm)
Height	10.63 in (270 mm)
Width	10.24 in (260 mm)
Product weight	6.17 lb(US) (2.8 kg)
Main type	Universal
Compatibility code	BOX PC Universal

Environment

standards	UL 508 CSA C22.2 No 142 ANSI/ISA 12-12-01 CSA C22.2 No 213 class I division 2 UL 1604
product certifications	CULus ATEX Zone 22 dust CE C-Tick

The information provided in this documentation contains general descriptions and/or technical characteristics of the products contained herein. This documentation is not intended as a substitute for and is not to be used for determining suitability or reliability of these products for specific user applications. It is the duty of any such user or integrator to perform the appropriate and complete risk analysis, evaluation and testing of the products with respect to the relevant specific application or use thereof. Neither Schneider Electric Industries SAS nor any of its affiliates or subsidiaries shall be responsible or liable for misuse of the information contained herein.

GOST

IP degree of protection	IP20
pollution degree	2 conforming to EN 61131-2 Ed.3
electromagnetic compatibility	Immunity to high frequency interference EN 61131-2 Ed.3
ambient air temperature for storage	-4...140 °F (-20...60 °C) conforming to IEC 60068-2-14 test Na -4...140 °F (-20...60 °C) conforming to IEC 60068-2-2 test Ab -4...140 °F (-20...60 °C) conforming to IEC 60068-2-2 test Bb
relative humidity	10...85 % conforming to IEC 60068-2-30 test Db
ambient air temperature for operation	0...50 °C (vertical installation) conforming to EN 61131-2 Ed.3 0...45 °C (vertical installation when using RAID option) conforming to EN 61131-2 Ed.3 0...45 °C (vertical installation when using Gigabit Ethernet with HDD storage device) conforming to EN 61131-2 Ed.3
operating altitude	6561.68 ft (2000 m) conforming to EN 61131-2 Ed.3
vibration resistance	0.125 gn 5...100 Hz continuous conforming to IEC 60068-2-6 0.250 gn 5...100 Hz intermittently conforming to IEC 60068-2-6
shock resistance	15 gn 11 ms conforming to IEC 60068-2-27, Ea tests

Offer Sustainability

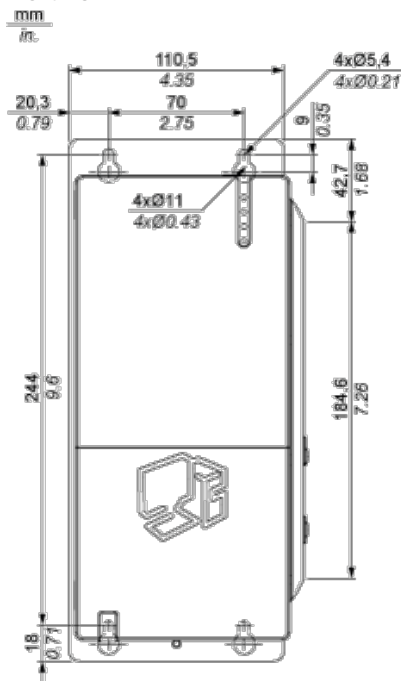
Not Green Premium product	Not Green Premium product
Compliant - since 1115 - Schneider Electric declaration of conformity	Compliant - since 1115 - Schneider Electric declaration of conformity
Reference not containing SVHC above the threshold	Reference not containing SVHC above the threshold

Contractual warranty

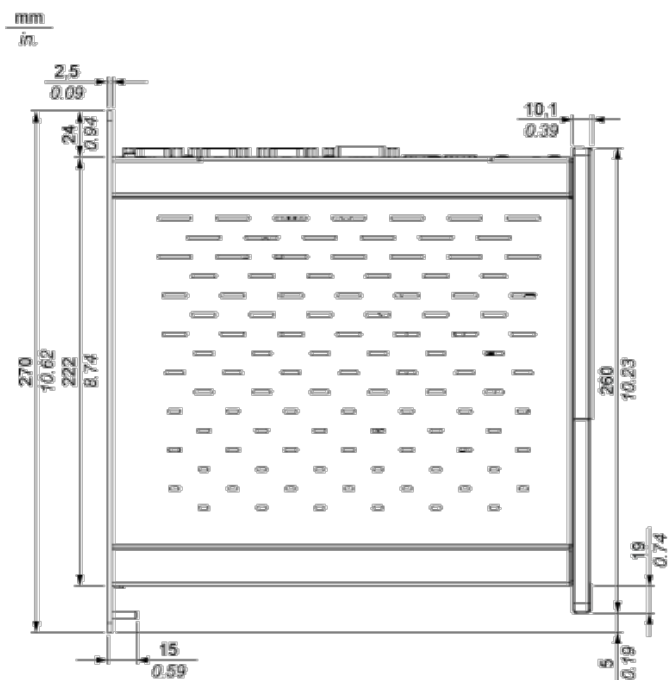
Warranty period	18 months
-----------------	-----------

Dimensions

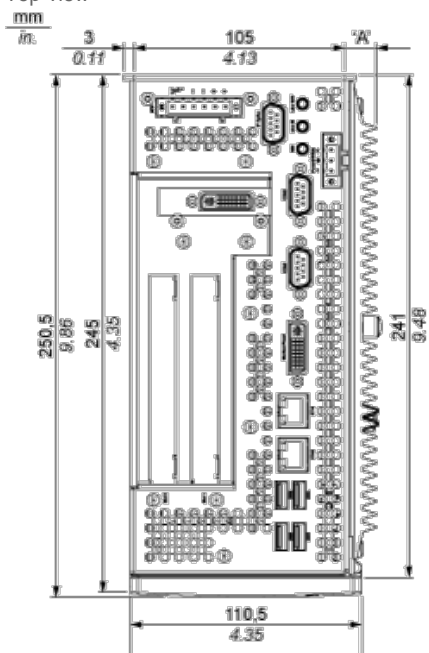
Front view



Side view

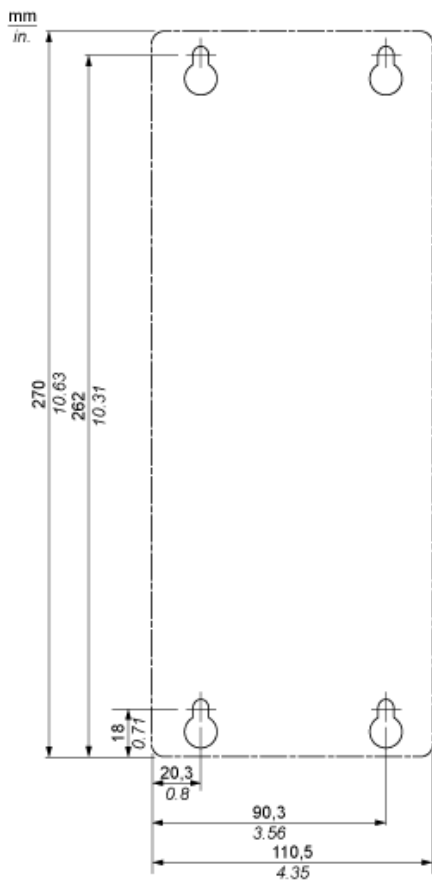


Top view



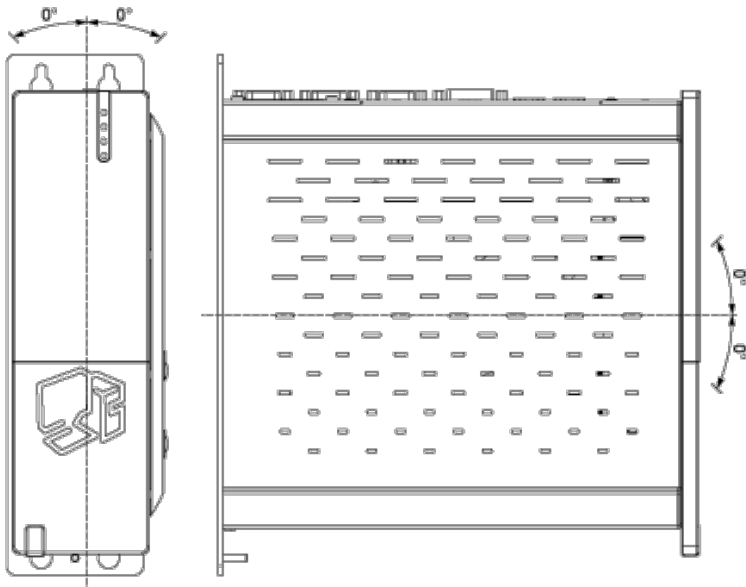
Mounting

Plate Designed for M5 Screws



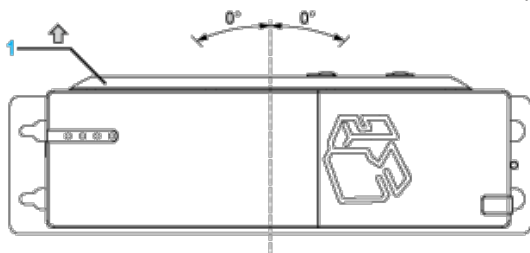
Mounting angle

Standard mounting - vertical



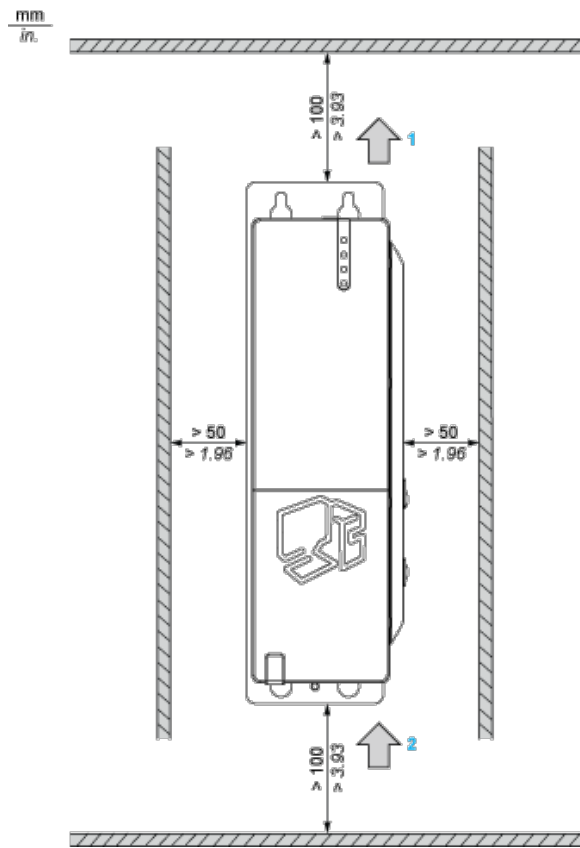
Optional mounting - flat

The maximum ambient temperature specification must be lowered by 5 °C (41 °F).
For fanless models, a fan kit needs to be ordered separately.



1 Heat sink

Spacing Requirements for Air Circulation



- 1 Air out
- 2 Air in