



SERIES 1550 - SINGLE AND DOUBLE-POLE ROCKER SWITCHES

TO 16 (4) A 250 V AC



PRODUCT FEATURES

- Inrush currents (capacitive) up to 100 A
- Two housing variants (with flange or lower lying)
- With mechanical forced opening
- Illuminated window with lens effect

ON REQUEST



- Other colors
- Other rocker labelings
- Other lamp variants
- Conformity IEC 60065 chap. 14.6
- Special rockers
- Cable assembly

Mechanical life endurance	5E4
Inrush current (capacitive)	100 A
Contact distance	≥ 3 mm
Contact resistance (new condition)	< 100 mOhm (1 A 12 V DC)
Insulation resistance (new condition)	> 100 MOhm (500 V DC)
Proof tracking	250 PTI
Protection type	IP 40
Ambient temperature	terminal side -20 °C ... +100 °C actuating side -20 °C ... +55 °C
Flammability	UL 94 V-2 UL 94 V-0 (product-dependent)
Glow wire test temperature	850 °C
Material actuator housing	PA PA
Plug force of the terminals	≤ 80 N
Approval marks	
Suitable for appliances of protection class II	



SERIES 1550 - SINGLE AND DOUBLE-POLE ROCKER SWITCHES

TO 16 (4) A 250 V AC

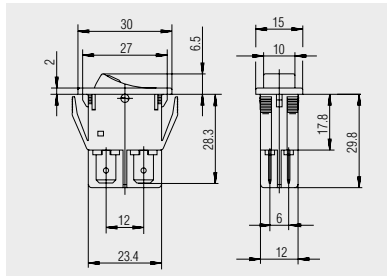
 single-pole 		Lighting voltage (V)	Actuator color / printing	Housing color	7 A 250 V AC 5E4	16 (4) A 250 V AC 5E4	16 (4) A 250 V AC 1E4	10 (4) A 250 V AC 5E4	10 (4) A 250 V AC 25E3	10 A 12 V DC	20 mA 250 V AC 5E4	20 A 250 V AC 2 HP	20 A 125 V AC 1 HP	16 A 250 V AC 2 HP	16 A 125 V AC 1 HP	Terminal type	Terminal description	Contact material	EN 60335 cap. 30 conform "G"	Miscellaneous	Stock version
ON / OFF switch (SPST)																					
1550.3102	230					○	○							○			6.3	Ag			
1550.3609	12								○								6.3	Ag		lower lying flange	
1551.3102						○	○							○	○		6.3	Ag	○		○
1551.3103						○	○							○	○		6.3	Ag			
1551.3106						○	○							○	○		6.3	Ag			
1551.2654										○								Au		approvals KEMA lower lying flange	
Normally closed contact (SPNC)																					
1581.1303					○									○	○		6.3	Ag	○	increased life endurance at a high electrical rating	
1551.1303						○	○							○	○		6.3	Ag			
Normally open contact (SPNO)																					
1551.3202						○	○							○	○		6.3	Ag			○
1551.3702						○	○							○	○		6.3	Ag		lower lying flange	

ROCKERSWITCHES
 PUSHBUTTON SWITCHES
 TOGGLE SWITCHES
 SLIDE SWITCHES
 ROTARY SWITCHES
 FOOT SWITCHES
 TACT AND KEY SWITCHES
 SMP-ACTION SWITCHES
 MICRO-SIGNAL SWITCHES
 SENSORS
 ECO
 PUSH N'DRIVE



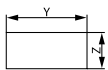
SERIES 1550 - SINGLE AND DOUBLE-POLE ROCKER SWITCHES

TO 16 (4) A 250 V AC



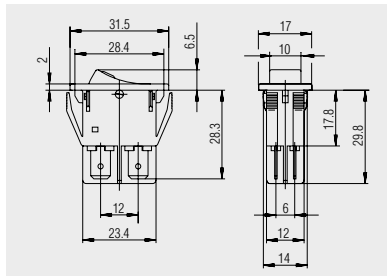
Basic types 1550 and 1555
single and double-pole

Quick-connect terminal 6.3 x 0.8



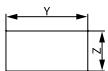
X = Wall thickness

x	y	z
0.8 ... 5.0	27.2 ^{+0.1}	12.2 ^{+0.2}



1555.8104
double-pole

Quick-connect terminal 6.3 x 0.8
cover frame 31.5 x 17 mm



X = Wall thickness

x	y	z
0.8 ... 5.0	28.6 ^{+0.1}	14 ^{+0.2}

ROCKER SWITCHES
PUSHBUTTON SWITCHES
TOGGLE SWITCHES
SLIDE SWITCHES
ROTARY SWITCHES
FOOT SWITCHES
TACT AND KEY SWITCHES
SNAP-ACTION SWITCHES
MICRO-SIGNAL SWITCHES
SENSORS
ECO
PUSH N' DRIVE

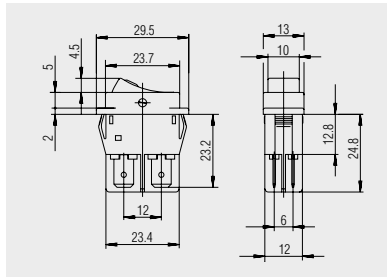


SERIES 1550 - SINGLE AND DOUBLE-POLE ROCKER SWITCHES

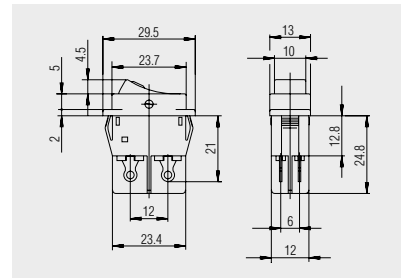
TO 16 (4) A 250 V AC



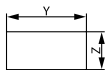
Basic types 1550 and 1555
lower lying flange
single and double-pole



Quick-connect terminal 6.3 x 0.8



Solder terminal

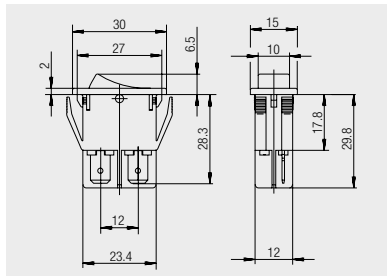


X = Wall thickness

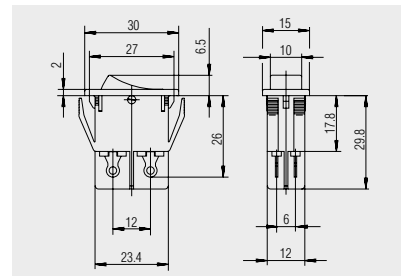
x	y	z
0.75 ... 1.25	26.2 ^{-0.1}	12.4 ^{+0.1}
2 ... 3	26.8 ^{-0.1}	12.4 ^{+0.1}
2 ... 3	26.8 ^{-0.1}	12.4 ^{+0.1}
1.25 ... 2	26.4 ^{-0.1}	12.4 ^{+0.1}



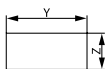
Basic type 1551 and 1552
single and double-pole



Quick-connect terminal 6.3 x 0.8



Solder terminal



X = Wall thickness

x	y	z
0.8 ... 5.0	27.2 ^{+0.1}	12.2 ^{+0.2}

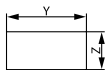


SERIES 1550 - SINGLE AND DOUBLE-POLE ROCKER SWITCHES

TO 16 (4) A 250 V AC

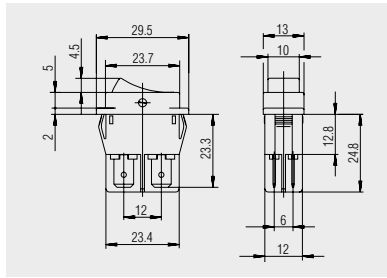


Basic types 1551 and 1552
lower lying flange
single and double-pole

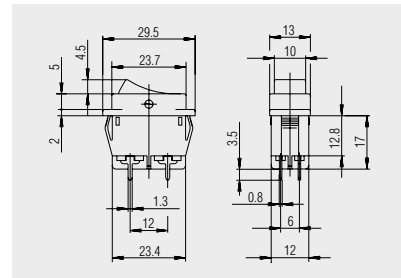


X = Wall thickness

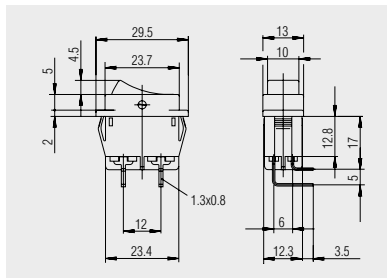
x	y	z
0.75 ... 1.25	26.2 ^{-0.1}	12.4 ^{+0.1}
1.25 ... 2	26.4 ^{-0.1}	12.4 ^{+0.1}
2 ... 3	26.8 ^{-0.1}	12.4 ^{+0.1}



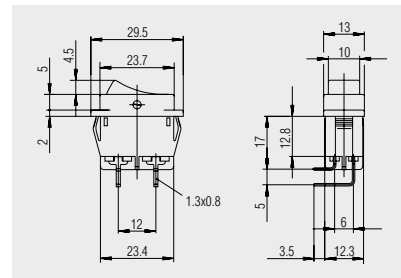
Quick-connect terminal 6.3 x 0.8



PCB terminal



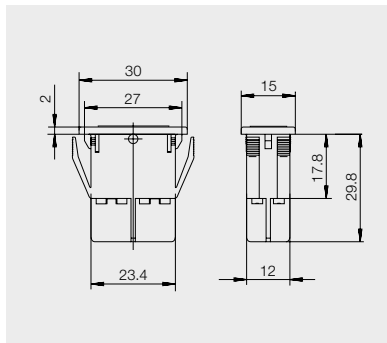
PCB terminal angled



PCB terminal angled mirror-inverted



Dummy piece
203.103.013

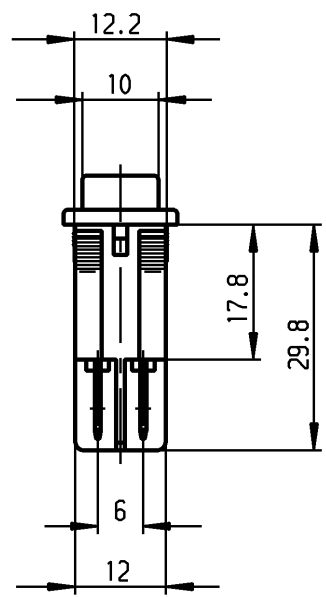
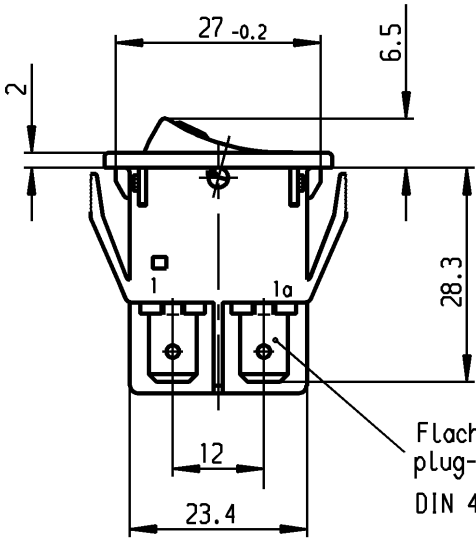


Dummy piece for series 1550 made of PA

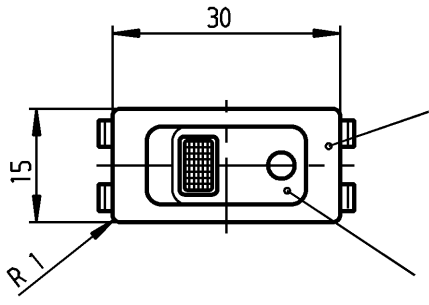
ROCKER SWITCHES
PUSHBUTTON SWITCHES
TOGGLE SWITCHES
SLIDE SWITCHES
ROTARY SWITCHES
FOOT SWITCHES
TACT AND KEY SWITCHES
SNAP-ACTION SWITCHES
MICRO-SIGNAL SWITCHES
SENSORS
ECO
PUSH 'N' DRIVE

	1	2	3	4	
A	Empfohlener Ausschnitt für Rastbefestigung (Grat gegenüber Bestückungsseite) recommended cut-out for snap-in fixing (edge opposite to snap-in direction)		Wanddicke wall thickness	Ausschnittlänge length of cut-out	Ausschnittbreite width of cut-out
			0.8 to / bis 5.0	27.2 ±0.1	12.2 ±0.2

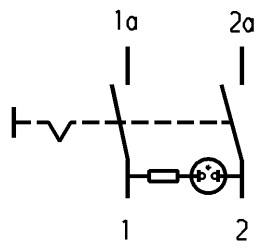
VERTRAULICH-CONFIDENTIAL
 © Alle Rechte bei Marquardt, auch für den Fall von Schutzrechtsverletzungen. Jede Verfügbungsbefugnis, wie Kopier- und Weitergaberecht, bei uns. © This document is the exclusive property of Marquardt. Without our consent, it may not be reproduced or given to third parties.



Flachstecker
plug-in
DIN 46 244-A6.3-0.8



schwarz
black
Wippe schwarz
Fenster grün
Zeichen weiß
rocker black
window green
symbol white



Aufschrift
Marking

Ⓜ
1555.
16A 125 V AC
1 HP
R144 **UL** **SP**
Herstellort/-jahr/-woche
nach DIN EN 60062
code of manufacture:
place/year/week
acc. to DIN EN 60062

Ausschalter 2-polig
Glimmlampe mit R_V für 115 V ~
Für Geräte der Klasse II geeignet

DPST
neon lamp with R_V for 115V AC
suitable for appliances of class II

Schutzvermerk
nach DIN 34 beachten
COPYRIGHT RESERVED

Allgemeintoleranzen/UNTOLERANCED DIMENSIONS			PROJECTION		Pause COPY		Blatt SHEET 01		Zeichn./DRAWING NO.		
Für Längen und Radien FOR LENGTHS AND RADII. ±		Abmaße in mm Für Nennmaßbereich in mm ALL DIMENSIONS ARE IN MILLIMETRES					Original DIN A4		Maßstab SCALE 1:1		K 1555.3109
		bis/UP TO 6	über/OVER 6 bis/UP TO 30	über/OVER 30			0 10 20 30 mm				
d			i		gez./DRAWN BY 08.09.89 ZF		Geraeteschalter Appliance Switch		MARQUARDT Marquardt, D-78604 Rietheim-Weilheim		
c	69572	29.11.10 hhe	h	gepr./CHECKED BY Lr							
b	23635	08.11.95 RS	g	Ersatz für/REPLACEMENT OF							
a	21323	23.04.92 Mut	f								
			e								
Ausg. ISSUE	Änderung REVISION	gez. DRAWN BY	Ausg. ISSUE	Änderung REVISION	gez. DRAWN BY						