

Fully programmable with on-board diagnostics
Multi-option language display
Password protection option at first level functionality
Instant LED warning functions
Application specific set-up
Pressure output display; no gauge necessary
High speed response
Optional manifold mount utilizes the ISO Size 2 subbase



Technical data

Medium

Compressed air filtered to 40 μm , non-lubricated

Supply pressure

205 psig (14 bar) max.

Output pressure

0 - 145 psig (0 - 10)

Supply sensitivity

< = 50 mbar between 160 and 90 psig (11 and 6 bar) supply

Response time

< 100 ms (from 10 to 90% of output pressure into a 0,1 litre load)

Air consumption

< .177 scfm (5 l/min)

Total error

Maximum error \pm 1.45 psig (100 mbar) of total span (independent error includes the combined effect of non-linearity, hysteresis, deadzone and repeatability)

Ambient temperature

-4 to 122°F (-20° to 50°C)

Temperature effect

Typically .04 psig (3 mbar)/°C for full scale and zero over operating range

Degree of protection

NEMA 4 in normal operation
 Vibration immunity
 <3% output shift for 3 g ~ 10 to 150 Hz

Weight

1.76 lbs (0.8 kg)

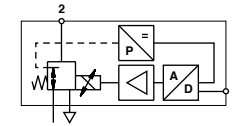
Mounting position

Any screw mounting or ISO 2 subbase manifold mount

Materials

Body: aluminum
 Lid and end cover: zinc diecast

General information

Symbol	Control signal	Output pressure range psig (bar)	Model	Connection	Output units
	0-10 V	0 to 145 (10)	VP5110PK111H00	1/4 NPT	psig
	4-20 mA	0 to 145 (10)	VP5110PK411H00	1/4 NPT	psig
	0-10 V	0 to 145 (10)	VP5110BJ111H00	ISO G 1/4	bar
	4-20 mA	0 to 145 (10)	VP5110BJ411H00	ISO G 1/4	bar

*To order the VP50 with interface for manifold mounting, indicate "X" in the 8th position of the part number. Also requires a manifold mounting kit, see Accessories. All units shipped with M12 five pin electrical connectors with interface for manifold mounting.

Electromagnetic compatibility

The valve conforms to the EC requirements EN50081-2 (emission) and EN50082-2 (disturbance noise). For this specification shielded cables have to be used

User functionality options

Password protection	
Display set-up	Display language Pressure units Offline set-up Online set-up
Speed set-up	0 fastest to 7 slowest
Monitor set-up	Analogue 0 ... 10 V
Monitor output	Hi = P2 > x psi Hi = P2 OK
Local control	Manual control Max./min. ramp Max./min. stairs
Device database	Read only data: unit specific Tag number Help display
Factory defaults	Restore factory defaults

Electrical information

Electromagnetic compatibility	CE marked: conforms to EC requirements EN 50081-2 (1994) and EN 50082-2 (1995)
Electrical input signal	4 ... 20 mA or 0 ... 10 V factory set
Electrical power input	24 V d.c. ±25% (power consumption < 1 W)
Output pressure feedback signal	User configurable 0 ... 10V analog or Hi-Lo mode

Instrument pin configuration M12 x 1 (5 pin)

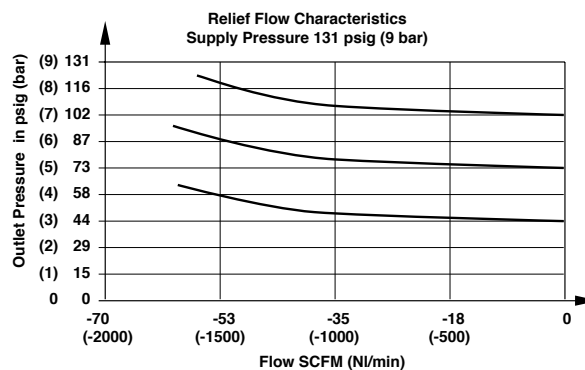
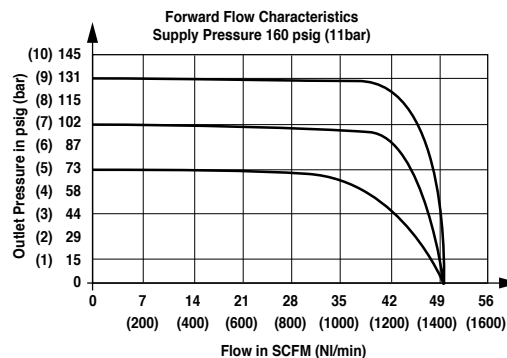
Pin	Designation	Color*
1	+24V d.c. supply	brown/red
2	1 v/bar monitor output	white
3	Control signal (+ve)	blue
4	Common (d.c. supply, signal and feedback return)	black
5	Chassis (earth)	grey/green/yellow

Accessories

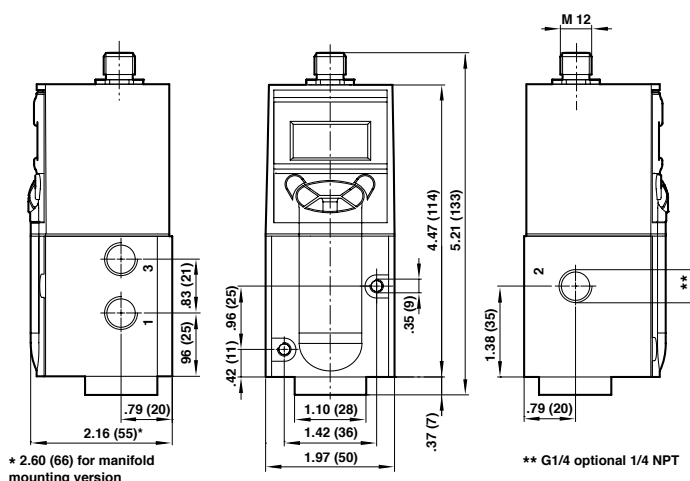
Designation	Specification	Type
Connectors with cable	M12 x 1.5 pin; 16 ft (5m) 5 x 0.34 mm2	0250081000000000
	M12 x 1.5 pin; 30 ft (10 m) 5 x 0.34 mm2	0250472000000000
*Manifold Mounting Kit	Interface plate, gasket, mounting screws	ZZ5M00

For ISO 2 Manifold see website

Characteristic curves



General dimensions



Dimensions in inches (mm)