

**3-way, manually operated, full flow lockout valves can be locked in the closed position with a customer supplied pad-lock.**

**Helps you comply to OSHA regulations, as they relate to OSHA regulation 29 CFR Part 1910, standard for lockout/tagout procedures.**



### Technical data

#### Fluid:

Compressed air, neutral gases  
 NOTE: Contact Norgren for use with other media.

#### Maximum Pressure:

300 psig (20.4 bar)  
 Temperature Range:  
 -20° to 175°F\* (-29° to 79°C)  
 \*With a dew point of supply air less than air temperature below 35°F (2°C).

#### Maximum Diameter of Lock

**Shackle:**  
 5/16" (8mm)

#### Materials

Valve Body: Aluminum  
 Muffler Base: Zinc  
 Spool, T-Handle, Muffler Shell: Aluminum  
 Spring Detent: Stainless Steel  
 Elastomers  
 Standard: Nitrile and Polyurethane  
 Optional: Fluorocarbon

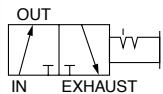
#### Repair Kits

C0021A/D and C0023A/D Valves:  
 Standard Elastomers: 53474-43  
 Fluorocarbon Elastomers: 53474-44  
 C0022A/D and C0024A/D Valves:  
 Standard Elastomers: 53475-34  
 Fluorocarbon Elastomers: 53475-36  
 Replacement Mufflers\* for C0021A/C0024D Valves  
 C0021A/D and C0023A/D Valves: ML004F  
 C0022A/D and C0024A/D Valves: ML008F  
 \*Contains all bolts and washers required to flange mount with the respective sized lockout valve.  
 Lockout Hasp  
 Part Number: 54547-01

Note: The 1-1/2" diameter jaws can be used with all Norgren Inline, Olympian, and Poppet Lockout Valves except the T15. High-tensile steel affords extra protection against unauthorized access. Red vinyl coated and plated to resist rust. Locking holes accommodate padlocks up to 11/32" shackle diameter.

### Ordering information

Models listed are with PTF threads.

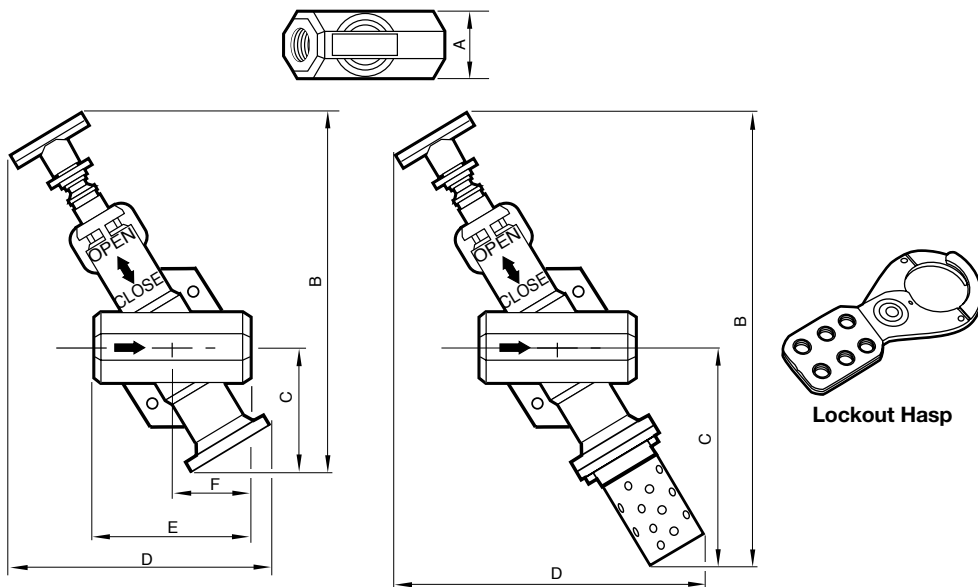
Graphic symbol	Basic Size	Port Size PTF	Model Without Muffler	Model With Muffler	Basic Size	Port Size ISO G	Model Without Muffler	Model With Muffler	Cv Factor	
									In-Out Ports	Out-Exhaust Ports
	1/2"	1/4"	C0021A	C0023A	1/2"	G1/4	C0041A	C0043A	4.2	6.0
		3/8"	C0021B	C0023B		G3/8	C0041B	C0043B	6.6	6.6
		1/2"	C0021C	C0023C		G1/2	C0041C	C0043C	9.3	7.9
	1"	3/4"	C0021D	C0023D	1"	G3/4	C0041D	C0043D	12.6	8.6
		3/4"	C0022A	C0024A		G3/4	C0042A	C0044A	10.6	8.
		1"	C0022B	C0024B		G1	C0042B	C0044B	16.2	9.2
		1-1/4"	C0022C	C0024C		G1-1/4	C0042C	C0044C	25.3	8.9
	1-1/2"	C0022D	C0024D	-	-	-	-	22.4	10.0	

#### Options

C0021A/D Valves with tapped muffler base that accepts a muffler with 3/4" NPT male threads: Specify 1M2 after the desired valve model number. Recommended muffler: MB006A.

C0022A/D Valves with tapped muffler base that accepts a muffler with 1" NPT male threads: Specify 1M1 after the desired valve model number. Recommended muffler MB008A.

Note: Standard valves have a black handle. To order valves with a red handle, change the second position of the model number to an R (e.g., C0021A would change to CR021A).



Dimensions in inches (mm)

Valve Type	A	B Without Muffler	With Muffler	C Without Muffler	With Muffler	D Without Muffler	With Muffler	E	F
All	1.87	9.33	11.78	2.90	5.35	6.97	7.97	4.00	2.00
1/2" basic	(48)	(237)	(299)	(74)	(136)	(177)	(202)	(102)	(51)
All	2.26	12.07	15.72	4.13	7.78	8.65	10.46	5.00	2.50
1" basic	(57)	(307)	(399)	(105)	(198)	(220)	(266)	(127)	(64)