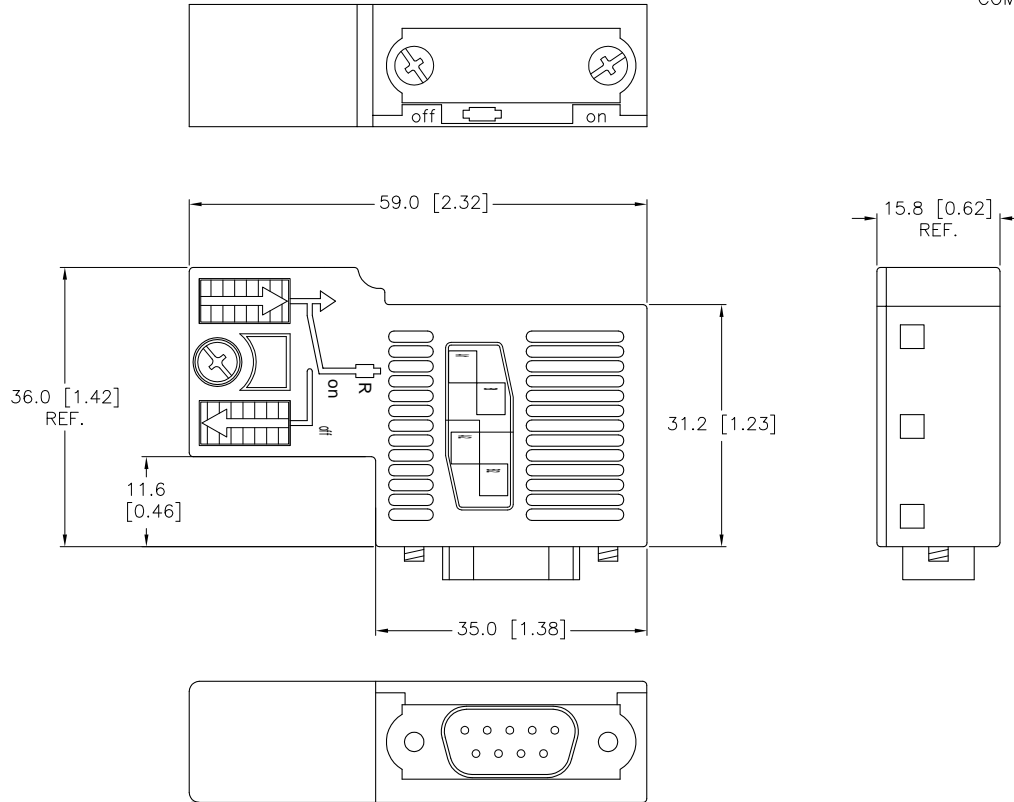


NOTES:

1. TERMINATION PROGRAMMABLE VIA SLIDE SWITCH:
ON: TERMINATED
OFF: PASSIVE TEE
2. SUPPORTS TRANSMISSION RATES UP TO 12 Mbits/sec.
3. FIELD WIREABLE 9 PINS, D-SUB FOR PROFIBUS COMMUNICATION.



SOURCE DRAWING - FOR REFERENCE ONLY

RELATED DOCUMENTS 1. 2. 3. 4.	3RD ANGLE PROJECTION 	THIS DRAWING IS PROPERTY OF TURCK INC. USE OF THIS DOCUMENT WITHOUT WRITTEN PERMISSION IS PROHIBITED.		TURCK INC <i>High Technology Sensors and Automation Controls</i> 3000 CAMPUS DRIVE MINNEAPOLIS, MN 55441 1-800-544-7769 (763) 553-7300 (763) 553-0708 fax turck.com	
	MATERIAL	DRFT RWC	DATE 03/24/08	DESCRIPTION CONNECTOR,PDP,D9S	
FINISH	ALL DIMENSIONS DISPLAYED ON THIS DRAWING ARE FOR REFERENCE ONLY	DSGN	SCALE 1=1.0	IDENTIFICATION NO. A9421	REV B
	CONTACT TURCK FOR MORE INFORMATION	UNIT OF MEASUREMENT MILLIMETER [INCH]		DO NOT SCALE THIS DRAWING	FILE: A9421 SHEET 1 OF 1
B	UPDATE TO NEW LOOK CONNECTOR	RDS	11/21/08	21206	
REV	DESCRIPTION	BY	DATE	ECO NO.	

B	UPDATE TO NEW LOOK CONNECTOR	RDS	11/21/08	21206
REV	DESCRIPTION	BY	DATE	ECO NO.