

**SACC-M 8MR-3CON-M**

Order No.: 1699902

<http://eshop.phoenixcontact.de/phoenix/treeViewClick.do?UID=1699902>Sensor/actuator connector, male, angled, 3-pos., M8, solder  
connection, metal knurl, cable diameter max. 5 mm**Commercial data**

EAN	4017918574031
Pack	1 pcs.
Customs tariff	85366990
Weight/Piece	0.01019 KG
Catalog page information	Page 40 (PC-2009)

**Product notes**WEEE/RoHS-compliant since:  
11/24/2006

[http://  
www.download.phoenixcontact.com](http://www.download.phoenixcontact.com)  
Please note that the data given  
here has been taken from the  
online catalog. For comprehensive  
information and data, please refer  
to the user documentation. The  
General Terms and Conditions of  
Use apply to Internet downloads.

**Technical data****General data**

Nominal current $I_N$	4 A
Nominal voltage $U_N$	60 V
Number of positions	3
Volume resistance	$\leq 3 \text{ m}\Omega$
Insulation resistance	$\geq 100 \text{ M}\Omega$

Ambient temperature (operation)	-40 °C ... 85 °C
<b>General characteristics</b>	
Coding	A - standard
Inflammability class acc. to UL 94	V0
Surge voltage category	II
Pollution degree	3
Degree of protection	IP67
Contact material	CuZn
Contact surface material	Au
Contact carrier material	PUR / PA66
Material of grip body	PBT
Material, knurls	Nickel-plated brass
Sealing material	NBR
Type of connection	Solder cup
Conductor cross section stranded min.	0.08 mm <sup>2</sup>
Conductor cross section stranded max.	0.34 mm <sup>2</sup>
Conductor cross section AWG/kcmil min.	28
Conductor cross section AWG/kcmil max	22
Min. diameter	3.5 mm
Max. diameter	5 mm
Status display	No

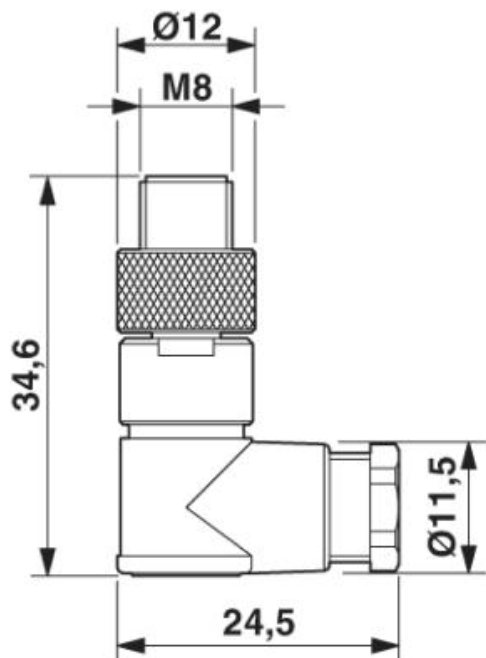
### Accessories

Item	Designation	Description
<b>General</b>		
1436945	SACC-M 8-SET/2,2-3,5	Sensor/actuator connector, accessories, pressure screw and seal, for unshielded M8 connector, cable diameter 2.2 mm - 3.5 mm

## Drawings

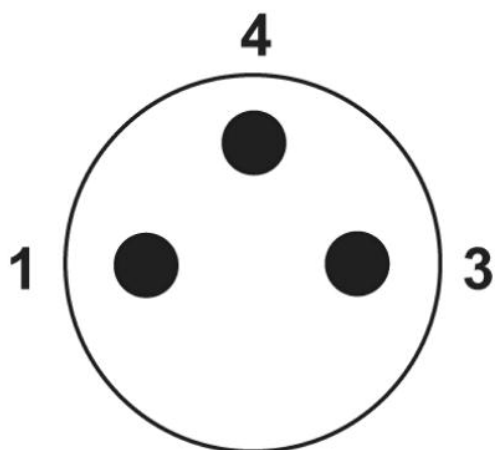
Dimensioned drawing

M8 x 1 male connector, angled version



Schematic diagram

Pin assignment M8 male connector, 3-pos.



**Address**

PHOENIX CONTACT GmbH & Co. KG  
Flachmarktstr. 8  
32825 Blomberg, Germany  
Phone +49 5235 3 00  
Fax +49 5235 3 41200  
<http://www.phoenixcontact.com>



© 2009 Phoenix Contact  
Technical modifications reserved;