



CNX 722FV Series 0.866" (22mm) Ruggedized LED FlexVolt™ Panel Mount Indicator

CNX 722FV Series with built-in LED FlexVolt™ technology offers fast, easy installation in harsh environments

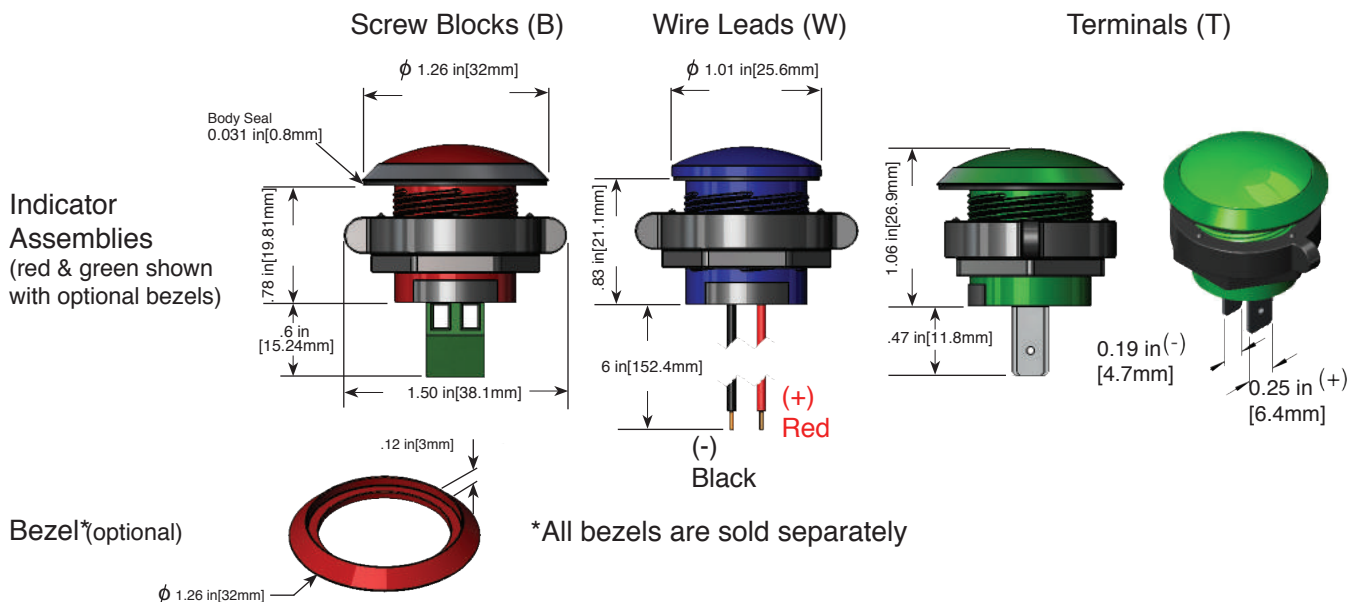
Applications

- control cabinets
- instrument panels
- disinfection and sterilization environments
- transportation dashboards
- switch stations
- safety applications
- outdoor signage
- aircraft and military
- industrial machinery
- vending and gaming machines

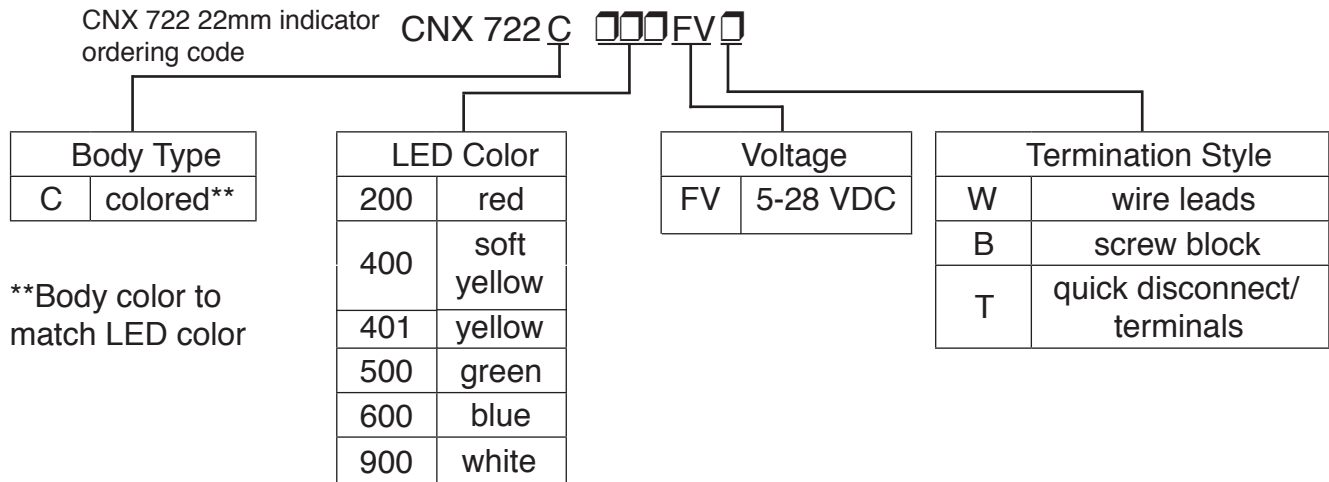
Key Features

- designed for extreme harsh and outdoor environments
- variety of connection options for fast, easy installation
- built-in LED can be used with 5 to 28 volt DC circuits
- fast pitch threads ease assembly, requiring only 1 turn
- special nut assemblies by finger, or with 1" hex tool
- direct sunlight visibility
- wide viewing angle
- resistant to shock and vibration
- custom LEDs and lens colors available
- optional bezel available in many colors
- moisture sealed, IP67 rated

Product Dimensions



Ordering Data



Product Specifications

LED output		
LED color	typ intensity (mcd)	I (mA)
red	1300-2700	20
soft yellow	80-400	20
yellow	450-1120	20
green	1000-1400	20
blue	280-710	20
white	1300-1800	20

Materials	
body/lens	polycarbonate, UL 94-V2
retaining nut	Valox, black UL 94-V0
wire	22 AWG 1007/1569
moisture seal	EPDM

Installation Specification	
mounting hole	.855-.910" (21.7-23.1mm)
panel thickness	Up to .300" (7.6mm)
spacing	minimum 1.5" center to center

Operating parameters	
operating temperature	-40°F (-40°C) to 176°F (80°C)

Compliance and Approvals



Accessory Options

Optional sealed bezel: BZL722-

Sealed Bezel IP67

- Material - either plastic or metal
- For indoor and outdoor applications, protects against falling dirt. Also protects against water or oil and the effects of ice formation.

moisture seal	EPDM
bezel-plastic	ABS, UL 94-HB
bezel-metal	aluminum alloy

<input type="checkbox"/>	Color	Material
0	black	plastic
2	red	plastic
4	yellow	plastic
5	green	plastic
6	blue	plastic
9	white	plastic
A	actual aluminum	metal
B	brushed aluminum	plastic
C	chrome	plastic