

P 17 Tempra IP 44 - LV 16 and 32 A

sockets, plugs, mobile sockets, appliance inlets



555 53



573 54




574 34






575 14






575 84

 *Technical characteristics (p. 389)*




Pack Cat.Nos Surface mounting sockets

Pack	Cat.Nos		
10	16 A	32 A	Closing without screws  100/130 V~ 2P+E
	555 50		
10	555 53	555 73	 200/250 V~ 2P+E
10	555 57	555 77	 380/415 V~ 3P+E
	555 58	555 78	



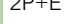
Pack Cat.Nos Straight plugs

Pack	Cat.Nos		
10	16 A	32 A	Cable clamping and closing without screws  100/130 V~ 2P+E
	574 31		
10	574 34	581 34	 200/250 V~ 2P+E
10	574 38	581 38	 380/415 V~ 3P+E
	574 39	581 39	

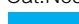
Panel mounting sockets inclined outlet

Pack	Cat.Nos		
5	16 A	32 A	Can be fixed on plain faceplates or pre-drilled (p. 394) and on flush mounting boxes (p. 387)  100/130 V~ 2P+E
	576 10		
10	576 11	576 12	 200/250 V~ 2P+E
10	576 17	576 18	 380/415 V~ 3P+E
	576 23	576 24	


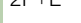
Mobile sockets

Pack	Cat.Nos		
10	16 A	32 A	Cable clamping and closing without screws  100/130 V~ 2P+E
	575 11		
10	575 14	582 14	 200/250 V~ 2P+E
10	575 18	582 18	 380/415 V~ 3P+E
	575 19	582 19	


Panel mounting sockets straight outlet small flange

Pack	Cat.Nos		
5	16 A		Can be fixed only on plain faceplates Cat.Nos 577 15/16 (p. 394)  200/250 V~ 2P+E
	573 54		

Appliance inlets

Pack	Cat.Nos		
5	16 A	32 A	 200/250 V~ 2P+E
	575 84	582 84	
5	575 88	582 88	 380/415 V~ 3P+E
	575 89	582 89	

Phase inverter plugs

Pack	Cat.Nos		
5	16 A	32 A	Straight plugs for changing rotation direction of a 3-phase electric motor  380/415 V~ 3P+E
	574 40	581 40	
5	574 41	581 41	3P+N+E



For 480/500 V devices, please consult us

**P 17 Tempra - domestic pin configuration
16 A - 250 V~**

P 17 Tempra IP 44 - ELV 16 and 32 A



576 69



576 72



539 48



552 06



552 21



521 05 + 741 30



577 22



552 45

Technical characteristics (p. 390)

Pack	Cat.Nos	Panel mounting sockets
		Domestic pin configuration sockets IP 54 cover closed - IP 44 connected IK 09 according to IEC 62262 and EN 62262 2P+E 250 V~ Material: plastic Self-extinguishing: 850 °C
20	576 69	White panel mounting sockets with small flange Cannot be fixed on pre-drilled faceplate
20	576 72	Blue panel mounting sockets Can be fixed on faceplate of the P17 combined units (p. 394)
8	539 48	Panel mounting adaptor Accepts Mosaic mechanisms 2 modules (except particular prominence)
10	521 05	Adaptor 16 A - 250 V~ IEC input 2P+E Output: empty model to be equipped with Mosaic mechanism all standards
		Flush mounting boxes IP 55 For panel mounting sockets inclined outlet installation (IP 44 or IP 66/67) Flush mounting boxes with faceplates
3	577 21	For 2 panel mounting sockets With single fixing centres 70 x 70 mm - 16 A
3	577 22	For 1 panel mounting socket With single fixing centres 70 x 70 mm - 16 or 32 A (32 A to be fixed horizontally)

Technical characteristics (p. 391)

Pack	Cat.Nos	Surface mounting sockets
5	16 A 32 A 552 06 552 56	20/25 V~ 2P
5	16 A 32 A 552 45 552 95	20/25 V~ 2P
5	16 A 32 A 552 21 552 71	Straight plugs 20/25 V~ 2P
5	16 A 32 A 552 31 552 81	Mobile sockets 20/25 V~ 2P
5	16 A 32 A 552 41 552 91	Appliance inlets 20/25 V~ 2P

P 17 Tempra IP 66/67 - LV 16 and 32 A

P 17 Tempra IP 66/67 - LV 63 and 125 A

easy connection
disconnection



Technical characteristics (p. 391)

Technical characteristics (p. 392)

Surface mounting sockets

Pack	Cat.Nos		
5	16 A	32 A	200/250 V~
	553 03	553 23	2P+E
5	553 07	553 27	3P+E
	553 08	553 28	3P+N+E

Surface mounting sockets

Pack	Cat.Nos		
2	63 A	125 A	200/250 V~
	587 40		2P+E
2 1	587 44	591 06	3P+E
	587 45	591 07	3P+N+E

Panel mounting sockets

Pack	Cat.Nos		
5	16 A	32 A	200/250 V~
	576 51	576 52	2P+E
5	576 57	576 58	3P+E
	576 63	576 64	3P+N+E

Panel mounting sockets

Pack	Cat.Nos		
2	63 A	125 A	200/250 V~
	587 20		2P+E
2 1	587 24	591 16	3P+E
	587 25	591 17	3P+N+E

Straight plugs

Pack	Cat.Nos		
5	16 A	32 A	200/250 V~
	563 03	563 23	2P+E
5	563 07	563 27	3P+E
	563 08	563 28	3P+N+E

Straight plugs

Pack	Cat.Nos		
2	63 A	125 A	200/250 V~
	587 00		2P+E
2 1	587 04	591 26	3P+E
	587 05	591 27	3P+N+E

Mobile sockets

Pack	Cat.Nos		
5	16 A	32 A	200/250 V~
	562 03	562 23	2P+E
5	562 07	562 27	3P+E
	562 08	562 28	3P+N+E

Mobile sockets

Pack	Cat.Nos		
2	63 A	125 A	200/250 V~
	587 10		2P+E
2 1	587 14	591 36	3P+E
	587 15	591 37	3P+N+E

Appliance inlets

Pack	Cat.Nos		
5	16 A	32 A	200/250 V~
	568 03	568 23	2P+E
5	568 07	568 27	3P+E
	568 08	568 28	3P+N+E

Appliance inlets

Pack	Cat.Nos		
2	63 A	125 A	200/250 V~
	587 30		2P+E
2 1	587 34	591 46	3P+E
	587 35	591 47	3P+N+E

Combined unit, plug and mobile socket for refrigerated containers

Pack	Cat.Nos	
1	6571 06	32 A - 440 V~ - 50/60 Hz - 3P+E - 3 hours IK 09 Plastic body and cover - Stainless steel screws Combined unit with interlocked switched socket - Double mechanical interlock - Cable glands are not supplied
1	6571 26	Straight plug With cable grip Ø12 to 21.5 mm
1	6571 46	Mobile socket With cable grip Ø12 to 21.5 mm

Plexo 66 (p. 749)

Other voltages (on request)

P 17 Tempra IP 44 - LV 16 and 32 A

■ Characteristics

Terminal connection:

- Panel and surface mounting sockets

16 A: max. 1 x 4 mm² rigid

32 A: max. 1 x 10 mm² rigid

- Appliance inlets:

16 A: max. 1 x 2.5 mm² rigid

32 A: max. 1 x 6 mm² rigid

- Plugs and mobile sockets:

16 A: max. 1 x 2.5 mm² flexible

32 A: max. 1 x 6 mm² flexible

IP 44 according to IEC and EN 60529

IK 09 according to IEC 62262 and EN 62262

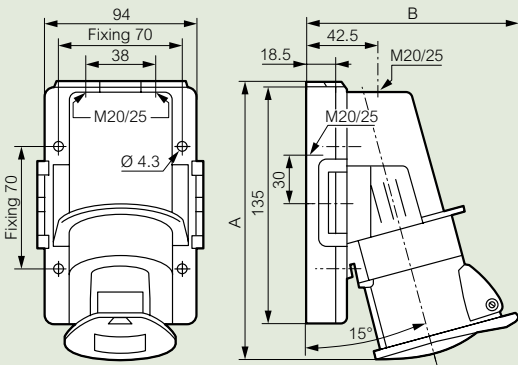
Material: plastic

Self-extinguishing: 850 °C (support of active parts) / 650 °C (plastic housing)

- 25 °C to + 40 °C according to IEC 60309-1

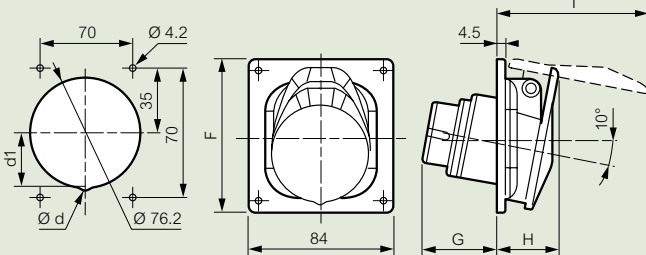
■ Dimensions

Surface mounting sockets (p. 386)



	LV 16 A			LV 32 A		
	2P+E	3P+E	3P+N+E	2P+E	3P+E	3P+N+E
A	158	158	171	181	181	192
B	121	123	130	135	135	140

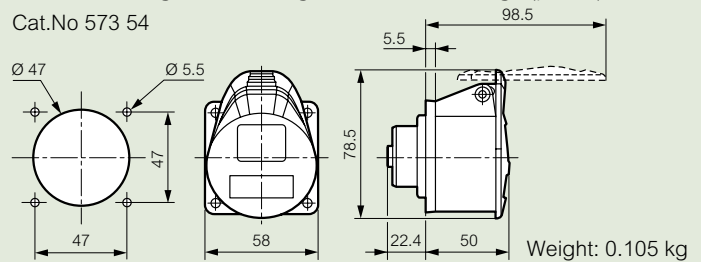
Panel mounting sockets inclined outlet (p. 386)



	Weight (kg)	∅ d	d1	F	G	H	I
LV 16 A							
2P+E	0.110	-	-	84	42	33	83.5
3P+E	0.140	-	-	84	43	34.5	91.3
3P+N+E	0.165	-	-	84	43	36.5	100
LV 32 A							
2P+E	0.220	-	-	94	54	44	112
3P+E							
3P+N+E							

Panel mounting socket straight outlet small flange (p. 386)

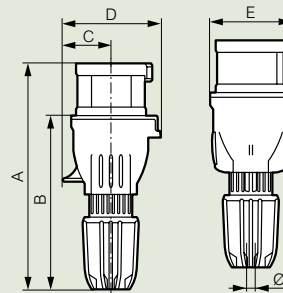
Cat.No 573 54



Weight: 0.105 kg

Straight plugs (p. 386)

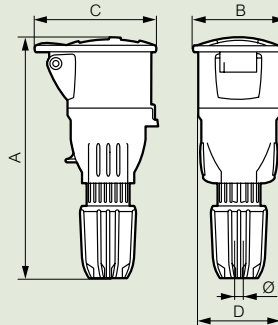
Cat.Nos 574 31/34/38/39 and 581 34/38/39



	A	B	C	D	E	∅
LV 16 A						
2P+E	143 to 159	106 to 122	30	65	56	8 to 14
3P+E	143 to 159	106 to 122	34	69	56	8 to 14
3P+N+E	152 to 168	115 to 131	38	78	65	10 to 18
LV 32 A						
2P+E	161 to 177	115 to 131	39	79	65	10 to 18
3P+E	161 to 177	115 to 131	39	79	65	12 to 20
3P+N+E	167 to 181	121 to 135	45	88	72	14 to 21

Mobile sockets (p. 386)

Cat.Nos 575 11/14/18/19 and 582 14/18/19



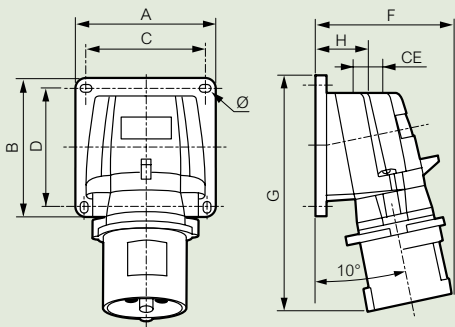
	A	B	C	D	∅
LV 16 A					
2P+E	153 to 169	55	78	56	8 to 14
3P+E	153 to 169	62	85	56	8 to 14
3P+N+E	164 to 180	70	94	65	10 to 18
LV 32 A					
2P+E	174 to 190	71	98	65	10 to 18
3P+E	174 to 190	71	98	65	12 to 20
3P+N+E	177 to 191	77	101	72	14 to 21

P 17 Tempra IP 44 - LV 16 and 32 A (continued)

P 17 Tempra domestic pin configuration

Appliance inlets (p. 386)

Cat.Nos 575 84/88/89 and 582 84/88/89

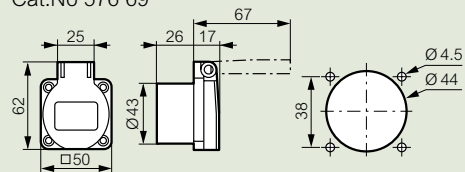


	Weight (kg)	A	B	C	D	F	G	H	CE	Ø
LV 16 A										
2P+E	0.168	84	84	72	72	77	126	34	M20	4.3
3P+E	0.232	84	84	72	72	84	134	34	M20	4.3
3P+N+E	0.256	84	84	72	72	91	141	34	M20	4.3
LV 32 A										
2P+E	0.325	110	110	98	98	96	168	39	M25	5.3
3P+E	0.364	110	110	98	98	102	168	39	M25	5.3

■ Dimensions

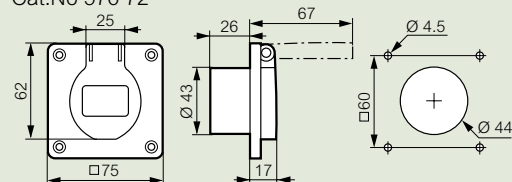
Domestic pin configuration sockets (p. 387)

Cat.No 576 69



Weight: 0.046 Kg

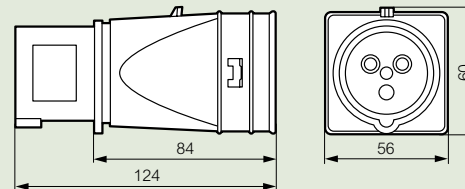
Cat.No 576 72



Weight: 0.052 Kg

Adaptor 16 A - 230 V (p. 387)

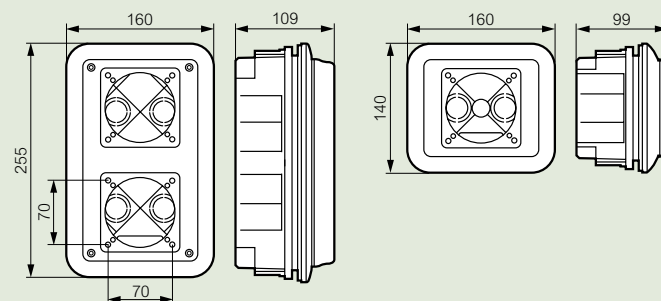
Cat.No 521 05



Flush mounting boxes (p. 387)

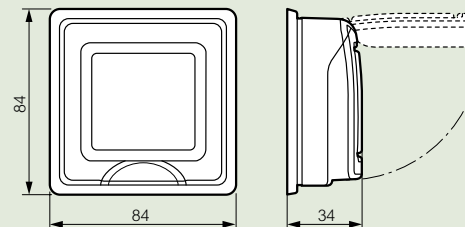
Cat.No 577 21

Cat.No 577 22



Panel mounting adaptor (p. 387)

Cat.No 539 48



P 17 Tempra IP 44 - ELV 16 and 32 A

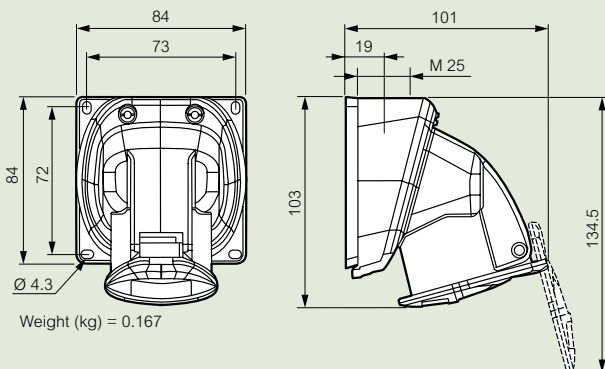
■ Characteristics

Terminal connection:
 Max. 1 x 10 mm² (rigid for fixed products flexible for mobile products)
 IP 44 according to IEC 60529 and EN 60529
 IK 09 according to IEC 62262 and EN 62262
 Material: plastic
 Self-extinguishing: 850 °C (support of active parts) / 650 °C (plastic housing)
 Temp. rating: - 25 °C to + 40 °C
 Conform to IEC 60309-1 / IEC 60309-2 and EN 60309-1 / EN 60309-2

■ Dimensions

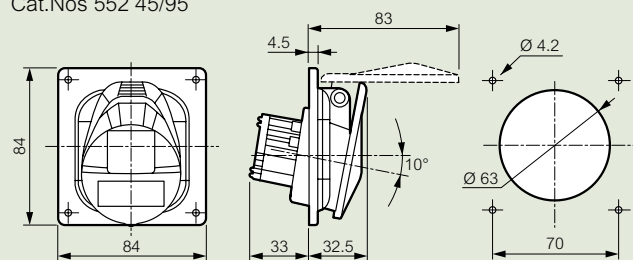
Surface mounting sockets (p. 387)

Cat.Nos 552 06/56

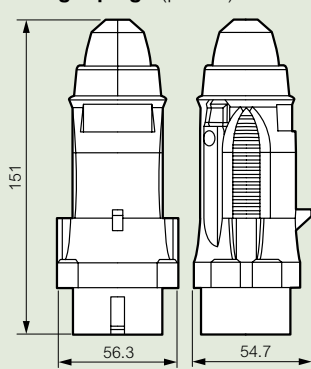


Panel mounting sockets (p. 387)

Cat.Nos 552 45/95

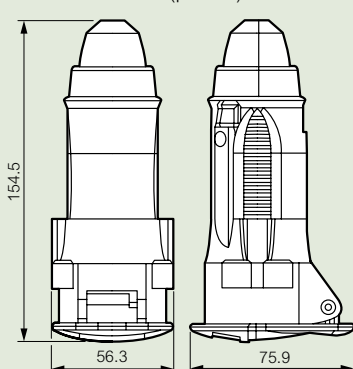


Straight plugs (p. 387)



Weight (kg) = 0.132

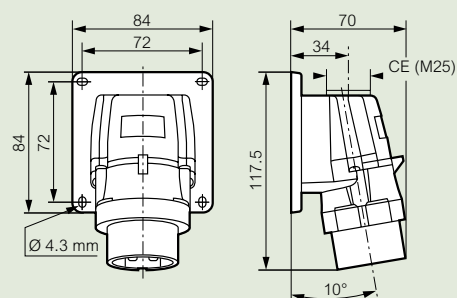
Mobile sockets (p. 387)



Weight (kg) = 0.16

Appliance inlets (p. 387)

Cat.Nos 552 41/91



P 17 Tempra IP 66/67 - LV 16 and 32 A

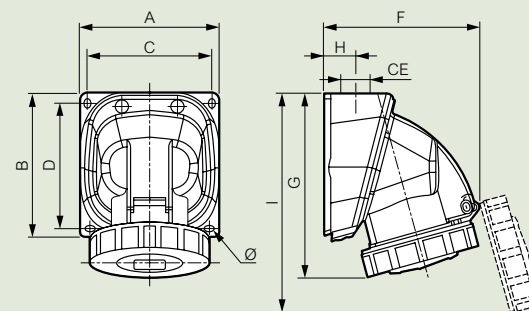
■ Characteristics

Terminal connection:
 • Panel and surface mounting sockets
 16 A: max. 1 x 4 mm² rigid - 32 A: max. 1 x 10 mm² rigid
 • Plugs, mobile sockets:
 16 A: max. 1 x 2,5 mm² flexible - 32 A: max. 1 x 6 mm² flexible
 • Appliance inlets:
 16 A: max. 1 x 2,5 mm² rigid - 32 A: max. 1 x 6 mm² rigid
 IP 66/67 according to IEC 60529 and EN 60529
 IK 09 according to IEC 62262 and EN 62262
 Material: plastic
 Self-extinguishing: 850 °C (support of active parts) / 650 °C (plastic housing)
 Temp. rating: - 25 °C to + 40 °C
 Conform to IEC 60309-1 and IEC 60309-2

■ Dimensions

Surface mounting sockets (p. 388)

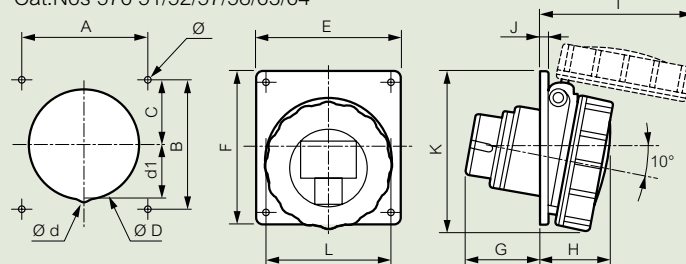
Cat.Nos 553 03/07/08/23/27/28



	Weight (kg)	A	B	C	D	F	G	H	I	CE	Ø
LV 16 A											
2P+E	0.230	84	84	73	72	94	112	20	130	M 20	4.3
3P+E	0.289	100	100	88	87	108	128	24	154	M 20	4.3
3P+N+E	0.317	100	100	88	87	110	129	24	157	M 20	4.3
LV 32 A											
2P+E	0.425	110	110	98	97	126	146	30	175	M 25	5.3
3P+E	0.467	110	110	98	97	136	170.5	30	205	M 25	5.3

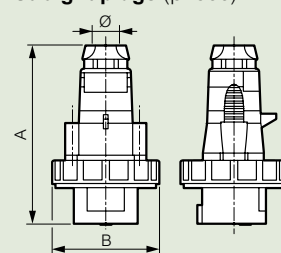
Panel mounting sockets (p. 388)

Cat.Nos 576 51/52/57/58/63/64



	Weight (kg)	Dimensions (mm)														
		A	B	C	ØD	Ød	d1	E	F	G	H	I	J	K	L	Ø
LV 16 A																
2P+E	0.140	70	70	35	76.2	-	-	84	84	42	39	83	4.5	90	72.5	4.2
3P+E	0.165	70	70	35	76.2	-	-	84	84	43	41	98	4.5	93	81	4.2
3P+N+E	0.195	70	70	35	76.2	-	-	84	84	43	41	99	4.5	91	86.5	4.2
LV 32 A																
2P+E/3P+E	0.240	70	70	35	76.2	-	-	84	94	54	50	113	4.5	101	94.5	4.2
3P+N+E	0.270	70	70	35	76.2	8	36	84	94	54	51	120	4.5	103	101	4.2

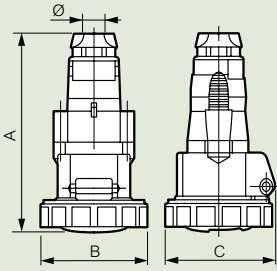
Straight plugs (p. 388)



	Weight (kg)	A	B	Ø
LV 16 A				
2P+E	0.165	122	72.5	8 to 14
3P+E	0.175	126	81	8 to 14
3P+N+E	0.218	142	86.5	10 to 17.5
LV 32 A				
2P+E	0.255	152	94.5	10 to 17.5
3P+E	0.276	152	94.5	12 to 21.5
3P+N+E	0.325	158	101	12 to 21.5

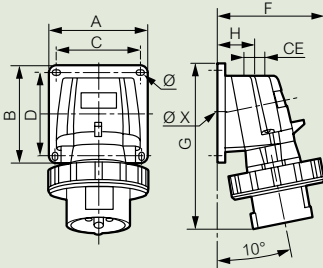
P 17 Tempra IP 66/67 - LV 16 and 32 A
(continued)

Mobile sockets (p. 388)



	Weight (kg)	A	B	C	Ø
LV 16 A					
2P+E	0.180	139	72.5	78.5	8 to 14
3P+E	0.215	144	81	89.5	8 to 14
3P+N+E	0.275	160	86.5	92	10 to 17.5
LV 32 A					
2P+E	0.320	171	94.5	103	10 to 17.5
3P+E	0.320	171	94.5	103	12 to 21.5
3P+N+E	0.387	177	101	109	12 to 21.5

Appliance inlets (p. 388)



	Weight (kg)	A/B	C/D	F	G	H	CE	Ø
LV 16 A								
2P+E	0.188	84	72	87	126	34	M 20	4.3
3P+E	0.257	84	72	95	134	34	M 20	4.3
3P+N+E	0.297	84	72	100	141	34	M 20	4.3
LV 32 A								
2P+E	0.370	110	98	107	168	39	M 25	5.3
3P+E								
3P+N+E	0.413	110	98	113	168	39	M 25	5.3

P 17 Tempra IP 66/67 - LV 63 and 125 A

■ Characteristics

Terminal connection:

- Panel and surface mounting sockets
- 63 A: max. 1 x 25 mm² rigid - 125 A: max. 1 x 70 mm² rigid
- Appliance inlets:
- 63 A: max. 1 x 16 mm² rigid - 125 A: max. 1 x 50 mm² rigid
- Plugs and mobile sockets:
- 63 A: max. 1 x 16 mm² flexible - 125 A: max. 1 x 50 mm² flexible

IP 66/67 according to IEC 60529 and EN 60529

IK 09 according to IEC 62262 and EN 62262

Material: plastic

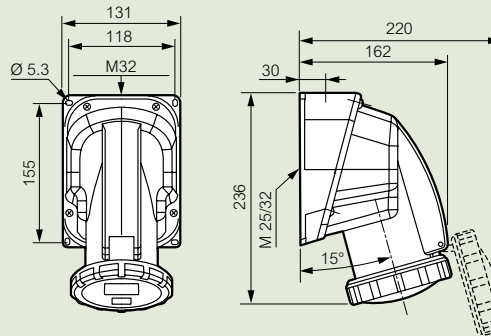
Self-extinguishing: 850 °C (support of active parts) / 650 °C (plastic housing)

Temp. rating: - 25 °C to + 40 °C. Conform to IEC 60309-1 and IEC 60309-2

■ Dimensions for 63 A

Surface mounting sockets (p. 388)

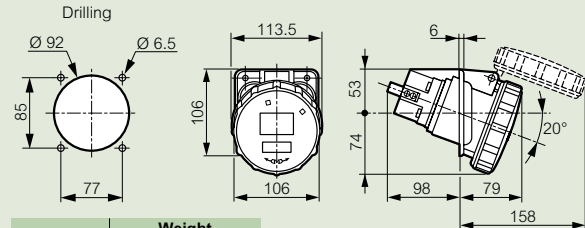
Cat.Nos 587 40/44/45



	Weight (kg)
3P+E	0.90
3P+N+E	0.95

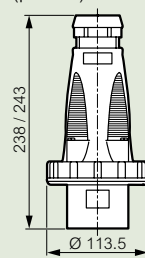
Panel mounting sockets (inclined outlet) (p. 388)

Cat.Nos 587 20/24/25

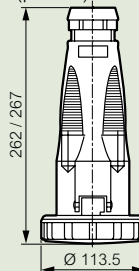


	Weight (kg)
3P+E	0.71
3P+N+E	0.77

Straight plugs (p. 388)



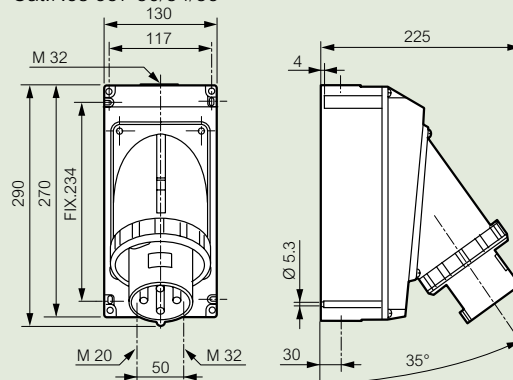
Mobile sockets (p. 388)



	Ø	Weight (kg)	
		Straight plugs	Mobile sockets
3P+E	19.3 to 28.5	0.57	0.78
3P+N+E	21.3 to 31.3	0.64	0.85

Appliance inlets (p. 388)

Cat.Nos 587 30/34/35

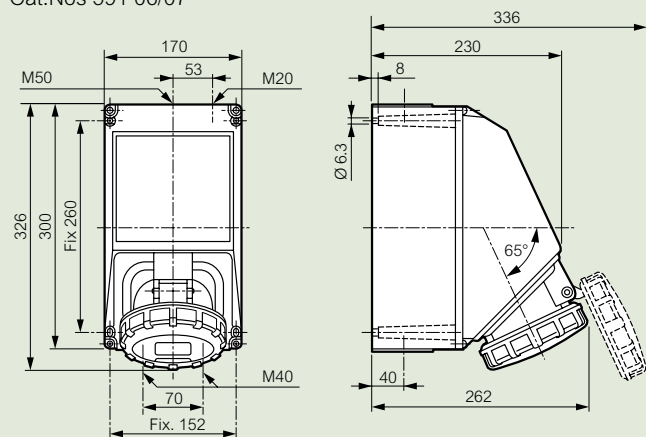


	Weight (kg)
3P+E	1.54
3P+N+E	1.61

P 17 Tempra IP 66/67 - LV 63 and 125 A (continued)

**■ Dimensions for 125 A
Surface mounting sockets (p. 388)**

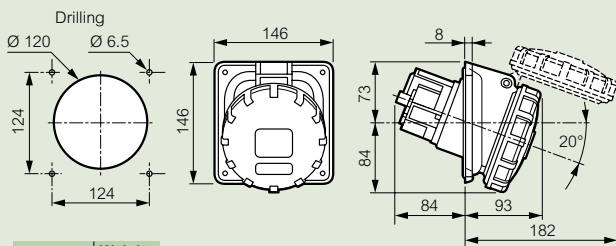
Cat.Nos 591 06/07



	Weight (kg)
3P+E	2.6
3P+N+E	2.73

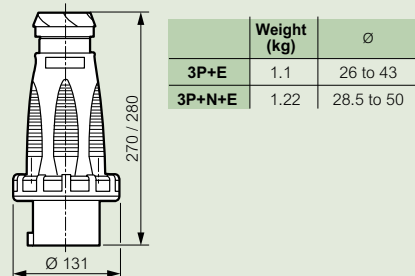
Panel mounting sockets (p. 388)

Cat.Nos 591 16/17

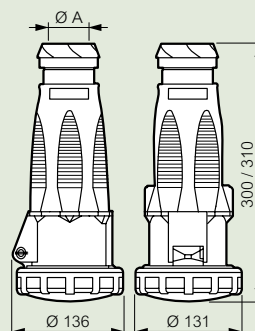


	Weight (kg)
3P+E	1
3P+N+E	1.2

Straight plugs (p. 388)

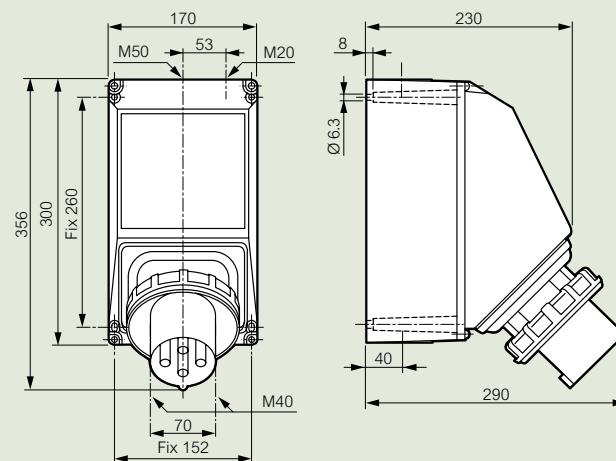


Mobile sockets (p. 388)



Appliance inlets (p. 388)

Cat.Nos 591 46/47

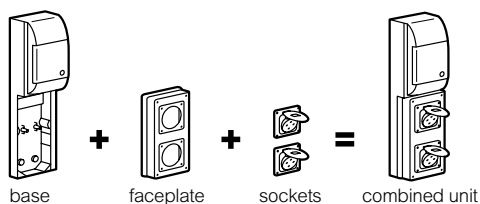


P17 Tempra combined units to be composed

- IK 08 according to IEC 62262
- Self-extinguishing: 650 °C
- Max. IP 66





 *Technical characteristics (p. 396)*

Example of combined unit configuration







COMBINED UNITS HEIGHT 220 MM TO 441 MM

BASES FOR 220 x 125 MM FACEPLATES - MAX IP 66





Surface mounting box	Base up to 2 sockets 16 A	Base up to 4 sockets 16 A	Base up to 6 sockets 16 A
			
220 x 125 mm ⁽⁴⁾	371 x 125 mm ⁽⁴⁾ Rail 5 Lexic modules	441 x 265 mm ⁽⁴⁾ Rail 12 Lexic modules	441 x 405 mm ⁽⁴⁾ Rail 18 Lexic modules
Pack : Cat.No	Pack : Cat.No	Pack : Cat.No	Pack : Cat.No
2 : 577 10	1 : 589 38	1 : 577 05	1 : 577 06

220 X 125 MM FACEPLATES





1 socket 16 or 32 A	2 sockets 16 A	1 socket 63 A	Plain plate
			
Pack : Cat.No	Pack : Cat.No	Pack : Cat.No	Pack : Cat.No
5 : 577 12	5 : 577 13 ⁽¹⁾	2 : 577 17	5 : 577 15

COMBINED UNITS HEIGHT 280 MM TO 501 MM

BASES FOR 280 x 125 MM FACEPLATES - MAX IP 66

Surface mounting box	Base up to 3 sockets 16 A	Base up to 6 sockets 16 A	Base up to 9 sockets 16 A
			
280 x 125 mm ⁽⁴⁾	421 x 125 mm ⁽⁴⁾ Rail 5 Lexic modules	501 x 265 mm ⁽⁴⁾ Rail 12 Lexic modules	501 x 405 mm ⁽⁴⁾ Rail 18 Lexic modules
Pack : Cat.No	Pack : Cat.No	Pack : Cat.No	Pack : Cat.No
3 : 577 11	1 : 577 20	1 : 577 03	1 : 577 04

280 x 125 MM FACEPLATE

2 sockets 16 or 32 A	1 socket 16 or 32 A and 1 socket 63 A	3 sockets 16 A ⁽²⁾	Plain plate
			
Pack : Cat.No	Pack : Cat.No	Pack : Cat.No	Pack : Cat.No
4 : 577 18 ⁽¹⁾	2 : 577 19 ⁽¹⁾	4 : 577 14 ⁽¹⁾	4 : 577 16

(1) Supplied with blanking plate (2) To be fixed horizontally except 16 A domestic pin sockets, vertically (IP 44 - connected)
 (3) IP 54 cover closed - IP 44 connected (4) External dimensions: H x W



These products are part of industrial equipment > See p. 266-267

EXAMPLE OF SOCKETS

ELV (p. 387)			IP 44		
20/25 V~	16 A	2P	552 45		
	32 A	2P	552 95		
Domestic pin (p. 387)			IP 54 ⁽³⁾		
250 V	16 A	2P+E	576 72		
LV (p. 386 to 388)			IP 44	IP 66-67	
100/130 V~	16 A	2P+E	576 10	-	
200/250 V~	16 A	2P+E	576 11	576 51	
	32 A	2P+E	576 12	576 52	
	63 A	2P+E	-	587 20	
380/415 V~	16 A	3P+E	576 17	576 57	
		3P+N+E	576 23	576 63	
	32 A	3P+E	576 18	576 58	
		3P+N+E	576 24	576 64	
	63 A	3P+E	-	587 24	
		3P+N+E	-	587 25	



Possible combinations with bases for 220 x 125 mm faceplates

Cat.No	Nb of sockets	Intensity			Number of faceplates		
		16 A	16 A or 32 A	63 A	577 12	577 13	577 17
With box or base							
577 10 or 589 38	1 socket	-	1	-	1	-	-
	2 sockets	2	-	1	-	1	-
577 05	2 sockets	-	2	-	2	-	-
		-	1	1	1	-	1
	3 sockets	-	-	2	-	-	2
		3	-	-	1	1	-
		2	1	-	1	1	-
		2	-	1	-	1	1
4 sockets	4	-	-	-	2	-	
	-	3	-	-	-	-	
577 06	3 sockets	-	-	3	-	-	3
		-	1	2	1	-	2
		-	2	1	2	-	1
	4 sockets	2	1	1	1	1	1
		2	2	-	2	1	-
		2	-	2	-	1	2
		4	1	-	1	2	-
		4	-	1	-	2	1
	6 sockets	6	-	-	-	3	-

EXAMPLE OF SOCKETS

ELV (p. 387)			IP 44		
20/25 V~	16 A	2P	552 45		
	32 A	2P	552 95		
Domestic pin (p. 387)			IP 54 ⁽³⁾		
250 V	16 A	2P+E	576 72		
LV (p. 386 to 388)			IP 44	IP 66-67	
100/130 V~	16 A	2P+E	576 10	-	
200/250 V~	16 A	2P+E	576 11	576 51	
	32 A	2P+E	576 12	576 52	
	63 A	2P+E	-	587 20	
380/415 V~	16 A	3P+E	576 17	576 57	
		3P+N+E	576 23	576 63	
	32 A	3P+E	576 18	576 58	
		3P+N+E	576 24	576 64	
	63 A	3P+E	-	587 24	
		3P+N+E	-	587 25	



Possible combinations with bases for 280 x 125 mm faceplates

Cat.No	Nb of sockets	Intensity			Number of faceplates		
		16 A	16 A or 32 A	63 A	577 18	577 19	577 14
With box or base							
577 11 or 577 20	2 sockets	-	2	-	1	-	-
	3 sockets	3	-	-	-	1	-
577 03	4 sockets	-	4	-	2	-	-
		-	2	2	-	2	-
	5 sockets	-	3	1	1	1	1
		3	1	1	-	1	1
		3	2	-	1	-	1
		6	-	-	-	-	2
577 04	6 sockets	-	6	-	3	-	-
		-	3	3	-	3	-
		-	5	1	2	1	-
	7 sockets	-	4	2	1	2	-
		3	2	2	-	2	1
		3	4	-	2	-	1
		3	3	1	1	1	1
		6	1	1	-	1	2
	8 sockets	6	2	-	1	-	2
		9	-	-	-	-	3

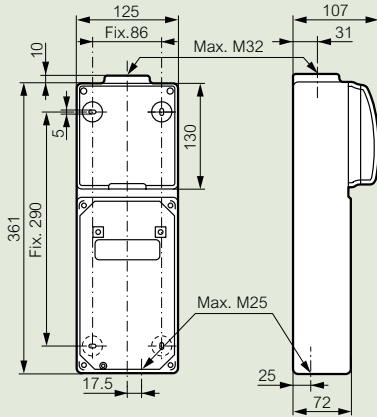
P 17 Tempra combined units
to be composed

■ **Dimensions**

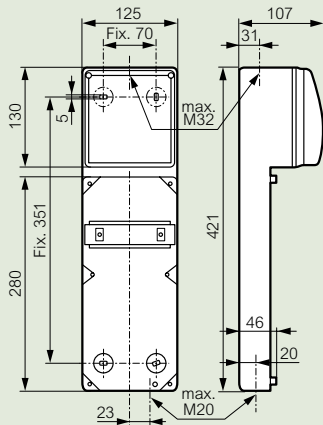
Cable glands are not supplied
Entries to drill

Bases (p. 394)

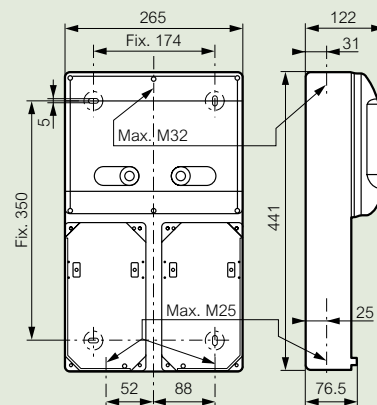
Cat.No 589 38



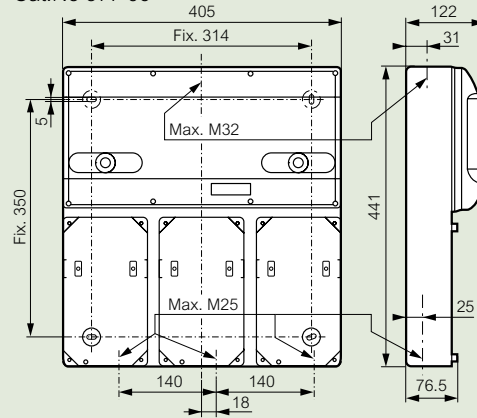
Cat.No 577 20



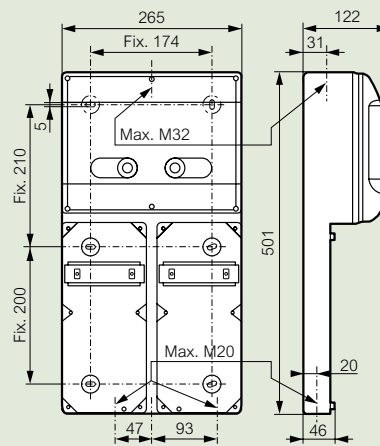
Cat.No 577 05



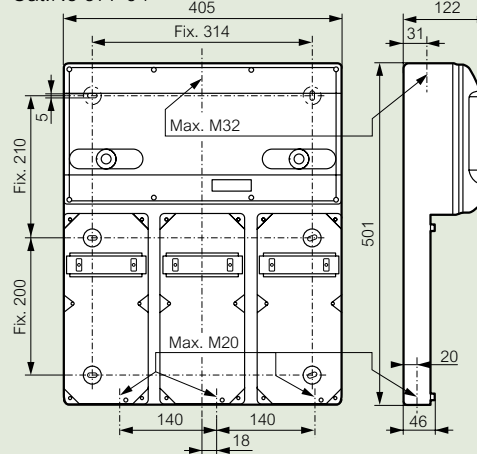
Cat.No 577 06



Cat.No 577 03

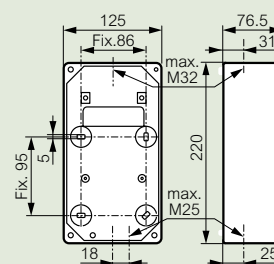


Cat.No 577 04

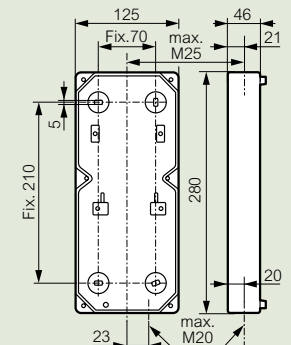


Surface mounting boxes (p. 394)

Cat.No 577 10



Cat.No 577 11



P 17 Tempra combined unit LV 16 to 63 A
interlocked switched sockets

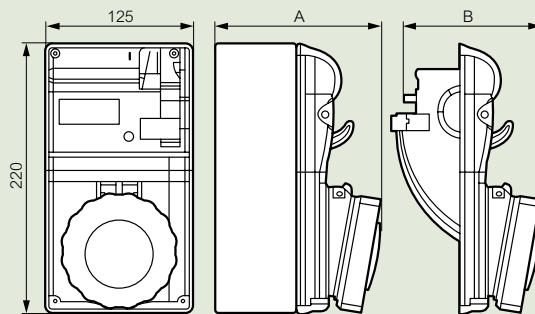
16-32 A		without rail		with empty Din rail		
<ul style="list-style-type: none"> • IP 44, IP 55, IP 66 according to IEC 60529 and EN 60529 • IK 08 according to IEC 62262 • Conform to IEC 60439-1 • Supplied without cable glands • Self-extinguishing: 650 °C 		125 x 220 mm		125 x 280 mm		
		IP 44	IP 55	IP 44	IP 66	
Pack:	Cat.Nos	Pack:	Cat.Nos	Pack:	Cat.Nos	
200 to 250 V ~ 50/60 Hz	16 A	2P+E	1 566 01	1 566 21	1 566 41	1 566 61
	32 A	2P+E	1 566 09	1 566 29	1 566 49	1 566 69
380 to 415 V ~ 50/60 Hz	16 A	3P+E	1 566 05	1 566 25	1 566 45	1 566 65
		3P+N+E	1 566 06	1 566 26	1 566 46	1 566 66
	32 A	3P+E	1 566 13	1 566 33	1 566 53	1 566 73
		3P+N+E	1 566 14	1 566 34	1 566 54	1 566 74
	63 A		without rail		with empty Din rail	
	<ul style="list-style-type: none"> • IP 66 according to IEC 60529 and EN 60529 • IK 08 according to IEC 62262 • Conform to IEC 60439-1 • Supplied without cable glands • Self-extinguishing: 650 °C 		IP 66		IP 66	
Pack:			Cat.Nos	Pack:	Cat.Nos	
380 to 415 V ~ 50/60 Hz	63 A	3P+E	1 572 98	1 589 18		
		3P+N+E	1 589 10	1 572 99		

110 V ~ (on request)

P 17 Tempra combined units LV 16 to 63 A
interlocked switched sockets

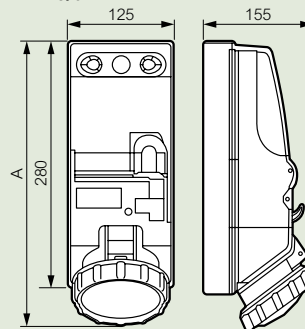
■ Dimensions

Without rail
LV 16/32 A



		IP 44	Dimensions (mm)		IP 55	Dimensions (mm)	
		Cat.Nos	A	B	Cat.Nos	A	B
LV 16 A	2P+E	566 01	127	122	566 21	133	128
	3P+E	566 05	129	124	566 25	134	129
	3P+N+E	566 06	130	125	566 26	135	130
LV 32 A	2P+E	566 09	138	133	566 29	143	138
	3P+E	566 13	138	133	566 33	143	138
	3P+N+E	566 14	139	134	566 34	144	139

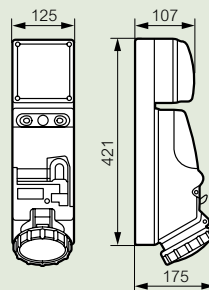
With empty Din rail
LV 16/32 A



		A	
		IP 44	IP 66
LV 16 A		290	300
LV 32 A		295	310

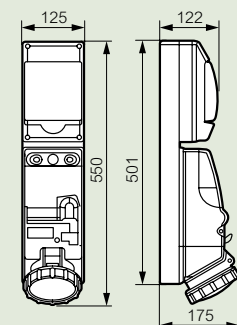
LV 63 A

Cat.Nos 572 98 and 589 10



LV 63 A

Cat.Nos 589 18 and 572 99







Hypra[®] IP 44 sockets and plugs metal, plastic, rubber, IP 44/55 Prisinter

LV 16 to 63 A and ELV 16 and 32 A

Conform to IEC 60309-1 and IEC 60309-2
 IP 44 according to IEC 60529
 IK 09: plastic and rubber
 IK 10: metal according to IEC 62262
 Self-extinguishing:
 - 850 °C (support of active parts) / 960 °C for Prisinter)
 - 650 °C: plastic housing conform to IEC 60695-2-10
 - 50 °C to + 100 °C (- 20 °C for Prisinter)

 Dimensions (p. 401 to 407)

FUNCTIONS

		Prisinter ⁽²⁾		Panel mounting sockets			Surface mounting sockets		Through wiring surface mounting sockets		
											
		Panel mounting sockets		Surface mounting sockets		metal	plastic	with single fixing centres	metal	plastic	plastic
LV		metal	plastic	metal	plastic						

100 to 130 V [~] 50/60 Hz	16 A	2P+E	-	519 10	-	519 10 + 520 49	-	519 20	519 19	-	519 20 + 520 29 ⁽¹⁾	519 20 + 520 89
	16 A	2P+E	520 12	520 02	520 12 + 520 59	520 02 + 520 49	520 32	520 22 ⁽¹⁾	520 18 ⁽¹⁾	520 32 + 520 39	520 22 ⁽¹⁾ + 520 29 ⁽¹⁾	520 22 ⁽¹⁾ + 520 89
200 to 250 V [~] 50/60 Hz	32 A	2P+E	-	527 02	-	527 02 + 529 49	527 32	-	527 18	527 32 + 529 39	527 18 + 529 40	527 18 + 529 90
	16 A	3P+E	522 13	522 03	522 13 + 520 59	522 03 + 520 49	522 33	522 23 ⁽¹⁾	522 19 ⁽¹⁾	522 33 + 522 39 ⁽¹⁾	522 23 ⁽¹⁾ + 522 29 ⁽¹⁾	522 23 ⁽¹⁾ + 522 89
		3P+N+E	522 14	522 04	522 14 + 529 59	522 04 + 522 49	522 34	522 24 ⁽¹⁾	522 20	522 34 + 522 39 ⁽¹⁾	522 24 ⁽¹⁾ + 522 29 ⁽¹⁾	522 24 ⁽¹⁾ + 522 89
380 to 415 V [~] 50/60 Hz	32 A	3P+E	529 13	529 03	529 13 + 522 59	529 03 + 529 49	529 33	-	529 19	529 33 + 529 39	529 19 + 529 40	529 19 + 529 90
		3P+N+E	529 14	529 04	529 14 + 522 59	529 04 + 529 49	529 34	-	529 20	529 34 + 529 39	529 20 + 529 40	529 20 + 529 90
	63 A	3P+E	538 00	536 03	538 00 + 538 09	536 03 + 537 49	538 33	538 23	-	537 33	537 23	538 23 + 538 89
		3P+N+E	538 01	536 04	538 01 + 538 09	536 04 + 537 49	538 34	538 24	-	537 34	537 24	538 24 + 538 89
480 to 500 V [~] 50/60 Hz	16 A	3P+E	-	-	-	-	523 20	523 19	-	523 20 + 522 29 ⁽¹⁾	523 20 + 522 89	
	32 A	3P+E	-	-	-	-	-	523 59	-	523 59 + 529 40	523 59 + 529 90	
ELV												
20 to 25 V [~] 50/60 Hz	16 A	2P	-	-	-	-	-	524 01 ⁽¹⁾	-	-	524 01 ⁽¹⁾ + 524 19 ⁽¹⁾	-
	32 A	2P	-	-	-	-	-	525 01	-	-	525 01 + 524 19 ⁽¹⁾	-

Pack = 1 except (1) pack = 5
 (2) Dust resistance IP may be increased by rubber push-button (on request) - IP 55 cover closed or connected - IP 44 connected

FUNCTIONS

Straight plugs			Angled plugs			Mobile sockets		Panel appliance inlets		Surface appliance inlets	
metal	plastic	rubber	metal	plastic	rubber	metal	plastic	metal	plastic	metal	plastic
-	519 40	-	-	-	-	519 80	-	-	519 70	-	519 70 + 520 79
521 42	520 42 ⁽¹⁾	520 52 ⁽¹⁾	520 72	520 62 ⁽¹⁾	521 52	520 82 ⁽¹⁾	520 92	521 62	521 72	521 62 + 520 69	521 72 + 520 79
-	527 42	527 52	527 72	527 62		527 82	527 92	528 62	528 72	528 62 + 529 69	528 72 + 529 79
521 43	522 43 ⁽¹⁾	522 53 ⁽¹⁾	522 73	522 63 ⁽¹⁾	521 53 ⁽¹⁾	522 83 ⁽¹⁾	522 93 ⁽¹⁾	521 63	521 73	521 63 + 522 69	521 73 + 522 79
521 44	522 44 ⁽¹⁾	522 54	522 74	522 64	521 54	522 84	522 94	521 64	521 74	521 64 + 522 69	521 74 + 522 79
528 43	529 43 ⁽¹⁾	529 53 ⁽¹⁾	529 73	529 63	528 53	529 83	529 93 ⁽¹⁾	528 63	528 73	528 63 + 529 69	528 73 + 529 79
528 44	529 44 ⁽¹⁾	529 54	529 74	529 64	528 54	529 84	529 94	528 64	528 74	528 64 + 529 69	528 74 + 529 79
-	538 43	538 53	538 73	-	538 63	538 83	538 93	537 63	537 73	537 63 + 538 69	537 73 + 538 79
-	538 44	538 54	538 74	-	538 64	538 84	538 94	537 64	537 74	537 64 + 538 69	537 74 + 538 79
-	523 21	-	-	-	-	523 22	-	-	-	-	-
-	523 61	-	-	-	-	523 62	-	-	-	-	-
-	524 21 ⁽¹⁾	-	-	-	524 41 ⁽¹⁾	524 81	524 61	-	-	-	-
-	525 21	-	-	-	525 41	525 81	525 61	-	-	-	-



Special voltages and frequencies available on request

Please consult us



These products are part of industrial equipment > See p. 266-267










Hypra[®] IP 66/67-55 plastic - increased safety

LV 16 to 125 A

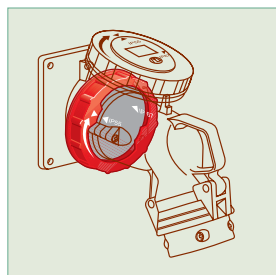
63 A and 125 A
easy connection
disconnection

Conform to IEC 60309-1 and IEC 60309-2 IP according to IEC 60529 IK 09: Plastic Self-extinguishing: 850°C (support of active parts) / 650°C (plastic housing)

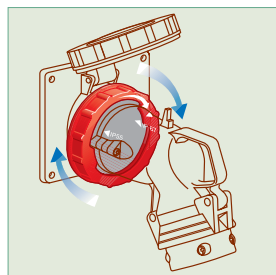
 Dimensions (p. 402)

		FUNCTIONS										
		Panel mounting sockets	Surface mounting sockets	Through wiring surface mounting sockets	Straight plugs	Angled plugs	Mobile sockets	Surface appliance inlets	Straight panel appliance inlets	Socket with break isolatine switch		
												
	LV	inclined outlets	with single fixing centres									

200 to 250 V ~ 50/60 Hz	16 A	2P+E	511 26 ⁽¹⁾	511 46	511 26 + 520 29 ⁽¹⁾	511 26 + 520 89	511 56 ⁽¹⁾	511 06	511 76	511 86	-	-
	32 A	2P+E	-	530 46	530 46 + 529 40	530 46 + 529 90	530 56	530 06	530 76	530 86	-	-
380 to 415 V ~ 50/60 Hz	16 A	3P+E	511 30	511 50	511 30 + 522 29 ⁽¹⁾	511 30 + 522 89	511 60 ⁽¹⁾	511 10	511 80	511 90	-	-
		3P+N+E	511 31	511 51	511 31 + 522 29 ⁽¹⁾	511 31 + 522 89	511 61 ⁽¹⁾	511 11	511 81	511 91	-	-
	32 A	3P+E	-	530 50	530 50 + 529 40	530 50 + 529 90	530 60	530 10	530 80	530 90	-	-
		3P+N+E	-	530 51	530 51 + 529 40	530 51 + 529 90	530 61	530 11	530 81	530 91	-	-
	63 A	3P+E	594 27	-	594 37	594 27 + 538 89	594 47	-	594 87	-	594 77 ⁽²⁾	-
		3P+N+E	594 28	-	594 38	594 28 + 538 89	594 48	-	594 88	-	594 78 ⁽²⁾	-
125 A	3P+E	595 12	-	595 02	-	595 22	-	595 32	-	595 42	591 14	
	3P+N+E	595 13	-	595 03	-	595 23	-	595 33	-	595 43	591 15	



When connected⁽³⁾, IP 55 guaranteed with the cover closed



IP 66/67 obtained with the ring locked



When not connected IP 55 automatically assured when cover is closed IP 66/67 obtained with the ring locked

Pack = 1 except (1) pack = 5

(2) Can be fixed on Cat.No 538 89 to obtain a straight surface mounting appliance inlet

(3) With a pair of Hypra IP 66/67-55 products

Hypra[®] IP 44 and IP 44/55 Prisinter[™]
LV 16 to 125 A

■ **Prisinter - panel mounting sockets - LV 16-32-63 A (p. 398)**

Terminal connection (max.)

BT 16 A : rigid - 1 x 4 mm²

BT 32 A : rigid - 1 x 10 mm²

BT 63 A : rigid - 1 x 25 mm²

Prisinter sockets 32 A : flexible - 1 x 6 mm²

Prisinter sockets 63 A : flexible - 1 x 16 mm²

Conform to EN 60309-1, NF EN 60309-2, IEC 60309-1

and IEC 60309-2

IK 09 : plastic and rubber

IK 10 : metal according to EN 62262 et IEC 62262

Self-extinguishing :

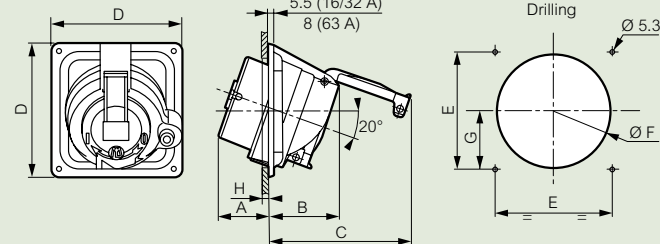
850 °C support of active parts, 950 °C for Prisinter

650 °C plastic housing

- 50 °C à + 100 °C (- 20 °C pour les Prisinter)

Icc 10 kA according to EN 60309-1 and IEC 60309-1

Dust resistance IP may be increased by rubber push-button (on request)



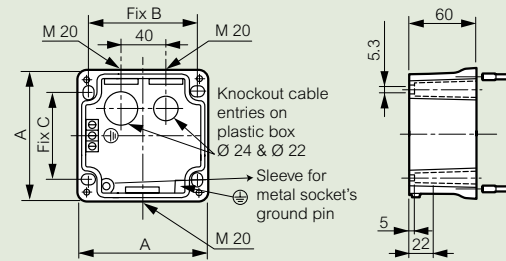
	Material	Weight (kg)	A	B	C	D	E	F min	F max	G	H max
16 A											
2P+E	Plastic	0.42	46	70	132	115	100	92	98	46	6 to 10
	Metal	1.25									
3P+E	Plastic	0.48	46	70	138	115	100	92	96	46	6 to 10
	Metal	1.33									
3P+N+E	Plastic	0.57	46	75	156	125	110	102	106	51.5	7
	Metal	1.47									
32 A											
2P+E	Plastic	0.57	54	77	153	143	125	115	122	58.5	10 to 20
	Metal	1.47									
3P+E	Plastic	0.61	54	77	153	143	125	115	122	58.5	10 to 20
	Metal	1.5									
3P+N+E	Plastic	0.65	55	79	169	143	125	119	122	58.5	9 to 13
	Metal	1.8									
63 A											
2P+E	Plastic	0.87	55	99	205	143	125	120	122	59.5	10 to 20
	Metal	1.5									
3P+E	Plastic	0.95	55	99	205	143	125	120	122	59.5	10 to 20
	Metal	1.85									
3P+N+E	Plastic	0.98	55	99	205	143	125	120	122	59.5	10 to 20
	Metal	2.2									

Breaking capacity 3 x 400 V~ according to IEC 60947-1-3

Category	16 A	32 A	63 A	Category	125 A
AC 1	16 A	32 A	63 A	AC 22 AC 23	400 V 70 kW
AC 23					500 V 87 kW
AC 3	8.4 kW	16.8 kW	33 kW		600 V 120 kW

■ **Reversible box for Prisinter sockets**

LV 16 A (p. 398)

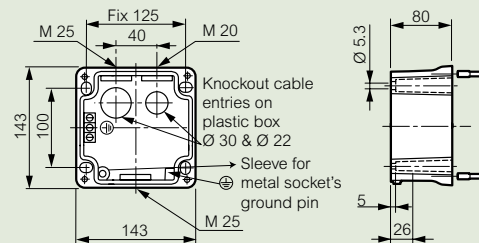


3 entries among which

2 entries M20 sealed with B20P blanking plug for auxiliary contact use
Fitted with 2 connected earth terminals and 1 outside terminal on metal box

	Material	Weight (kg)	A (mm)	B (mm)	C (mm)
2P+E	Plastic	0.14	115	97	78
3P+E	Metal	0.8			
3P+N+E	Plastic	0.16	125	107	88
	Metal	0.9			

LV 32 A (p. 398)

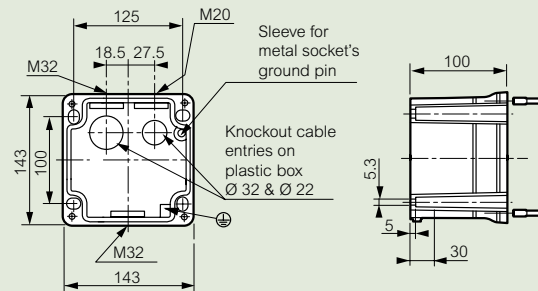


3 entries among which

1 M20 sealed with B20P blanking plug for auxiliary contact
1 M25 sealed with B25P blanking plug

Fitted with 2 connected earth terminals and 1 outside terminal on metal box

LV 63 A (p. 398)



3 entries among which

1 M20 sealed with B20P blanking plug for auxiliary contact
1 M32 sealed with B32P blanking plug

Fitted with 1 outside earth terminal on metal box



Dust resistance IP can be increased by a rubber push-button

on special request

Hypra[®] IP 44, IP 66/67-55 panel mounting sockets

LV 16 to 125 A and ELV 16 and 32 A

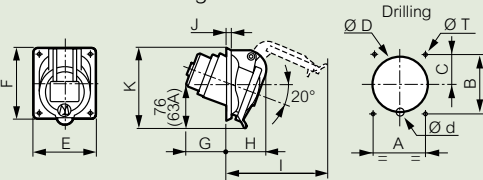
■ Dimensions

IP 44 - LV 16 to 63 A (p. 398) and ELV 16 and 32 A

External screws in stainless steel - Nickel-plated contacts
Enable realization of surface mounting sockets, associated with reversible box

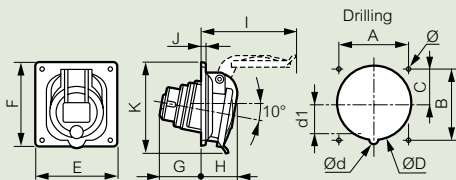
Terminal connection (max.):

- LV 16 A: 1 x 4 mm² rigid
- LV 32 A: 1 x 10 mm² rigid
- LV 63 A: 1 x 25 mm² rigid
- ELV: 1 x 10 mm² rigid



	Material	Weight (kg)	Drilling					Dimensions										
			A	B	C	ØD	Ød	ØT	E	F	G	H	I	J	K			
LV - 16 A																		
2P+E	Plastic	0.110																
	Metal	0.340	52	60	28	55	14.5	4.2	64	72	41	40	94	5.5	78.5			
3P+E	Plastic	0.140																
	Metal	0.405	60	70	31	63.5	14.5	5.2	74	84	44	40	98	5.5	88			
3P+N+E	Plastic	0.165																
	Metal	0.450	60	70	33	70.6	-	5.2	80	84	44	44	110	5.5	93			
LV - 32 A																		
2P+E/ 3P+E	Metal	0.605	70	80	38	76.2	10	5.2	84	94	50	53	120	5.5	103			
3P+N+E	Metal	0.660	70	80	38	76.2	10	5.2	84	94	52	56	124	5.5	107			
LV - 63 A																		
2P+E	Plastic	0.600																
	Metal	0.950																
3P+E	Plastic	0.640	77	85	-	92	-	6.5	106	106	98	70	160	6	129			
	Metal	1.000																
3P+N+E	Plastic	0.700																
	Metal	1.200																
ELV-16/32 A																		
2P	Plastic	0.120	52	60	30	55	-	4.2	64	72	33	47	94	5.5	78.5			

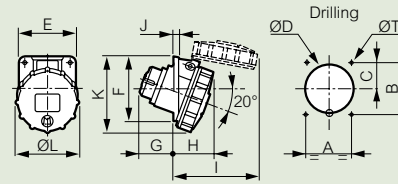
IP 44 - LV 16 and 32 A with single fixing centres (p. 398)



	Weight (kg)	A	B	C	ØD	Ød	d1	E	F	G	H	I	J	K	Ø
LV 16 A															
2P+E	0.110	70	70	35	76.2	/	/	84	84	37	36	89	4.5	88	4.2
3P+E	0.140	70	70	35	76.2	/	/	84	84	43	36	97	4.5	89	4.2
3P+N+E	0.165	70	70	35	76.2	/	/	84	84	43	37	106	4.5	91	4.2
LV - 32 A															
2P+E/ 3P+E	0.220	70	70	35	76.2	-	-	84	94	54	45	117	4.5	100	4.2
3P+N+E	0.255	70	70	35	76.2	8	36	84	94	54	46	125	4.5	102	4.2

IP 66/67-55 - LV 16 A (p. 400)

External screws in stainless steel - Nickel-plated contacts
Terminal connection (max.): 1 x 4 mm² rigid or flexible

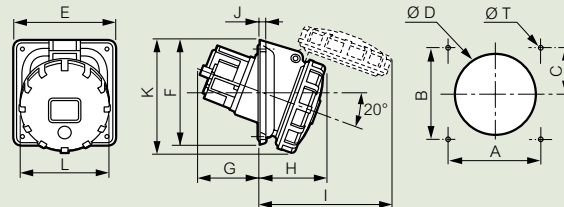


	Weight (kg)	Drilling					Dimensions									
		A	B	C	ØD	ØT	E	F	G	H	I	J	K	L		
LV - 16 A																
2P+E	0.140	52	60	33	55	4.2	64	72	40	45	91	5.5	87	72.5		
3P+E	0.165	60	70	39	63.5	5.2	74	84	41	48	102	5.5	96	81		
3P+N+E	0.195	60	70	37	70.6	5.2	80	84	42	50	106	5.5	96	86.5		

IP 66/67-55 - LV 63 and 125 A (p. 400)

Terminal connection (max.):

- 63 A: 1 x 25 mm² rigid
- 125 A: 1 x 70 mm² rigid

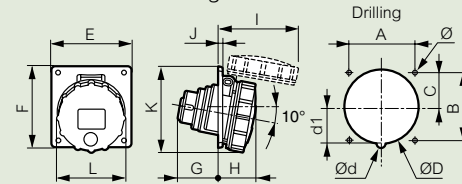


	Weight (kg)	Drilling					Dimensions											
		A	B	C	ØD	ØT	E	F	G	H	I	J	K	ØL				
LV - 63 A																		
2P+E	0.680																	
3P+E	0.710	77	85	42.5	92	6.5	106	106	98	79	158	6	127	113.5				
3P+N+E	0.770																	
LV - 125 A																		
3P+E	1.400	124	124	62	120	6.5	146	146	84	93	182	8	157	131				
3P+N+E	1.550																	

IP 66/67-55 - LV 16 and 32 A with single fixing centres (p. 400)

Terminal connection (max.):

- 16 A: 1 x 4 mm² rigid
- 32 A: 1 x 10 mm² rigid



	Weight (kg)	Drilling							Dimensions (mm)									
		A	B	C	ØD	Ød	d1	Ø	E	F	G	H	I	J	K	ØL		
LV 16 A																		
2P+E	0.140	70	70	35	76.2	-	-	4.2	84	84	42	39	83	4.5	90	72.5		
3P+E	0.165	70	70	35	76.2	-	-	4.2	84	84	43	41	98	4.5	93	81		
3P+N+E	0.195	70	70	35	76.2	-	-	4.2	84	84	43	41	99	4.5	91	86.5		
LV 32 A																		
2P+E	0.240	70	70	35	76.2	-	-	4.2	84	94	54	50	113	4.5	101	94.5		
3P+E	0.240	70	70	35	76.2	-	-	4.2	84	94	54	50	113	4.5	101	94.5		
3P+N+E	0.270	70	70	35	76.2	8	36	4.2	84	94	54	51	120	4.5	103	101		

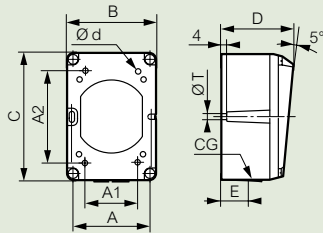
For more information, please consult e-catalogue www.legrandelectric.com

Hypra[®] IP 44, IP 66/67-55 surface mounting sockets reversible box

LV 16 to 63 A and ELV 16 and 32 A

■ Dimensions

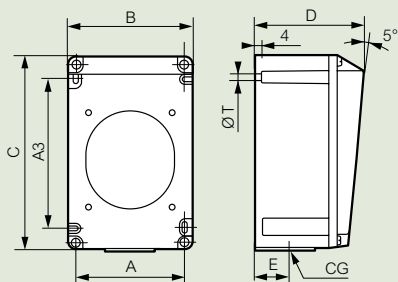
IP 44 ELV 16 and 32 A - IP 44, IP 66/67-55 - LV 16 A (p. 398, 400)



Fix A1 and A2:
Blind optional fixing points
Metal boxes fitted with
- 2 connected earth terminals and
1 outside terminal
- 1 sleeve for metal socket's ground pin

Surface mounting sockets → Panel mounting sockets ↓	Material	Weight (kg)	Drilling				Dimensions					CG cable gland
			A1	A2	Ød	A	ØT	B	C	D	E	
IP 44 - ELV 16/32 A												
2P+E	Plastic	0.115	51	68	4.2	64	5.3	74	106	58	20	M 25
IP 44 and IP 66/67-55 - LV 16 A												
2P+E	Plastic	0.115	51	68	4.2	64	5.3	74	106	58	20	M 20
	Metal	0.400										
3P+E/ 3P+N+E	Plastic	0.160	68	68	4.2	85	5.3	96	122	60	22	M 20
	Metal	0.520										

IP 44, IP 66/67-55 - LV 32 A (p. 398, 400)



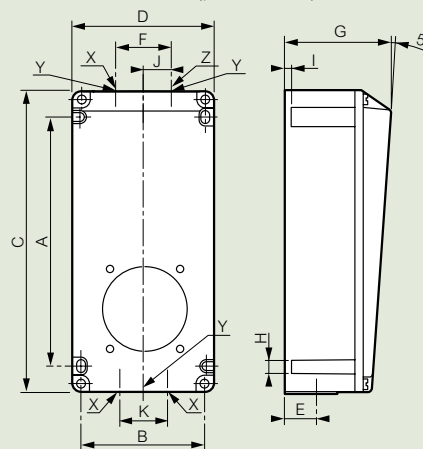
Blind optional fixing points
Metal boxes fitted with
- 2 connected earth terminals and
1 outside terminal
- 1 sleeve for metal socket's ground pin

Surface mounting sockets → Panel mounting sockets ↓	Material	Weight (kg)	Drilling			Dimensions				CG cable gland
			A	A3	ØT	B	C	D	E	
IP 44 and IP 66/67-55 - LV 32 A										
2P+E/ 3P+E/ 3P+N+E	Plastic	0.340	90	125	5.3	102	162	90	26	M 25
	Metal	0.910								

Hypra[®] IP 44, IP66/67-55 and IP 66/67 through wiring surface mounting sockets

■ Dimensions

IP 44 - LV 16 to 63 A, IP 66/67-55 - LV 16 and 32 A, IP 66/67 - LV 63 A (p. 398, 400)



Plastic boxes fitted with 2 connected earth terminals
Metal boxes fitted with
- 2 connected earth (16/32 A) terminals and
1 outside terminal
- 1 sleeve for metal socket's ground pin
- 3 connected earth (63 A) terminals

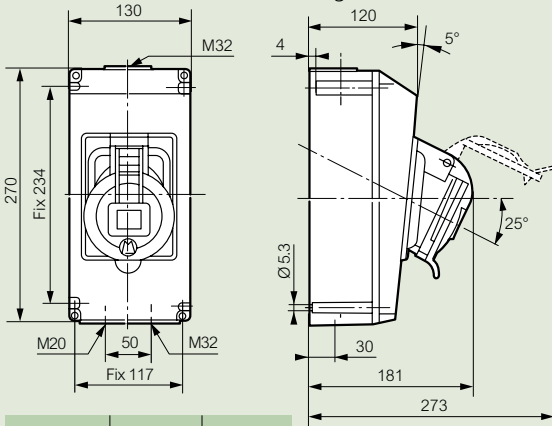
Surface mounting sockets → Panel mounting sockets ↓	Material	Weight (kg)	Drilling							Dimensions									
			A	B	H	C	D	E	F	G	I	J	K	X	Y	Z			
16 A																			
2P+E	Plastic	0.330	145	74	5.3	182	86	22	34	75	4	-	-	-	M 20				
	Metal	0.830																	
3P+E/ 3P+N+E	Plastic	0.440	175	88	5.3	212	100	22	40	77	4	-	-	-	M 20				
	Metal	0.980																	
32 A																			
2P+E/ 3P+E/ 3P+N+E	Plastic	0.670	234	117	5.3	270	130	30	50	120	4	-	-	-	M 25				
	Metal	1.730																	
63 A (Panel appliance inlets 63 A can be fixed)																			
2P+E/ 3P+E/ 3P+N+E	Plastic	2.000	260	152	6.3	300	170	40	-	150	8	50	70	M 32	-				
	Metal	4.300																	

Hypra[®] IP 44 and IP 66/67-55 surface mounting sockets

External screws in stainless steel - Nickel-plated contacts

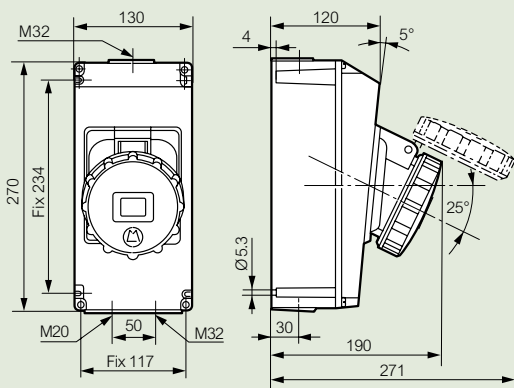
IP 44 - LV 63 A (p. 398)

Terminal connection: 1 x 25 mm² rigid max.



	Material	Weight (kg)
3P+E	Plastic	1.45
	Metal	4.95
3P+N+E	Plastic	1.5
	Metal	5

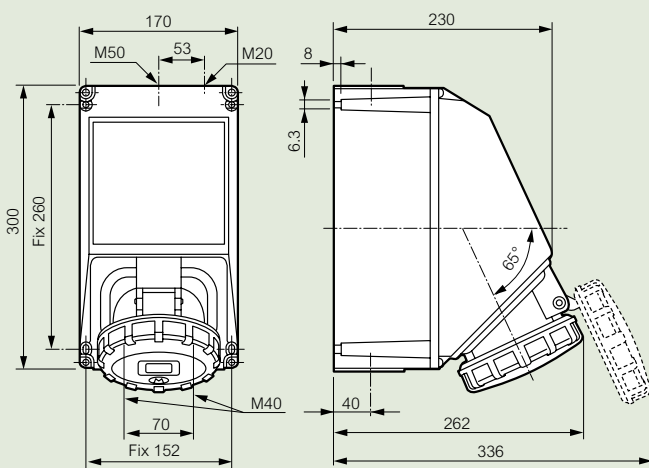
IP 66/67-55 - LV 63 A (p. 400)



	Weight (kg)
2P+E	1.500
3P+E	1.550
3P+N+E	1.600

IP 66/67-55 - LV 125 A (p. 400)

Terminal connection: 1 x 70 mm² rigid max.



	Weight (kg)
3P+E	3.5
3P+N+E	3.7

Hypra[®] IP 44 - panel appliance inlets and reversible boxes

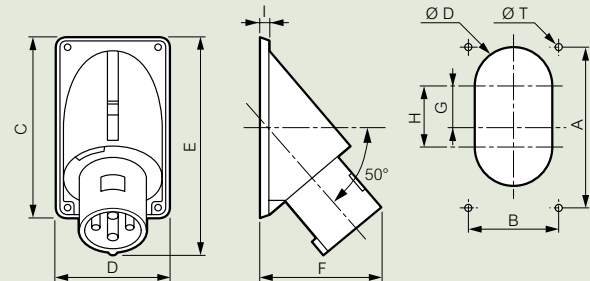
External screws in stainless steel - Nickel-plated contacts

■ Panel appliance inlets (inclined)

IP 44: LV 16, 32 and 63 A (p. 398)

Terminal connections:

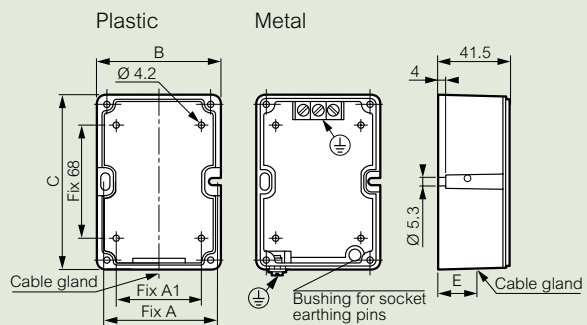
- 16 A: 1 x 2.5 mm² max. rigid
- 32 A: 1 x 6 mm² max. rigid
- 63 A: 1 x 25 mm² max. rigid



	Material	Weight (kg)	Drilling					Dimensions					
			A	B	Ø T	Ø D	G	H	C	D	E	F	I
LV - 16 A													
2P+E	Plastic	0.140	94	62	4.5	40	-	-	104	72	121	78	6
	Metal	0.530											
3P+E	Plastic	0.160									135		
	Metal	0.630	109	83	4.5	40	-	-	120	94		86	6
3P+N+E	Plastic	0.190									139		
	Metal	0.690											
LV - 32 A													
2P+E/ 3P+E	Plastic	0.280										176	111
	Metal	0.950	149	90	5.5	40	-	-	160	101			6
3P+N+E	Plastic	0.320										174	108
	Metal	1.000											
LV - 63 A													
2P+E	Plastic	0.560											
3P+E	Plastic	0.630											
	Metal	2.230	163	93	6.5	80	42	62	183	113	221	120	8
3P+N+E	Plastic	0.690											
	Metal	2.450											

■ Reversible boxes for surface appliance inlets

LV 16 A (p. 399)



Fix A1 and Fix 68 :
Blind optional fixing points

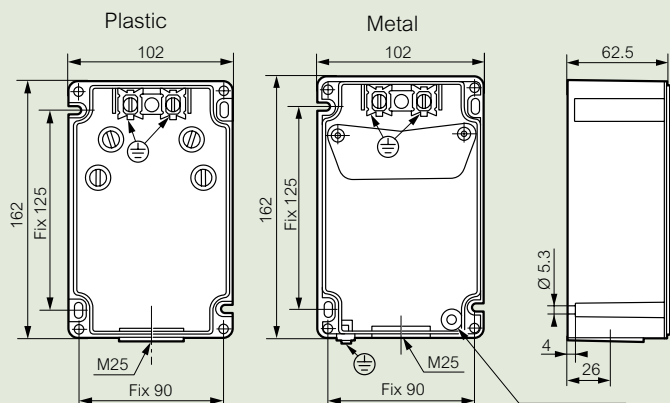
	Material	Weight (kg)	A	A1	B	C	E	Cable gland
2P+E	Plastic	0.085	64	51	74	106	20	M20
	Metal	0.250					22	
3P+E	Plastic	0.110						
	Metal	0.360	85	68	96	122	22	M20

Hypra[®] IP 44 and IP 66/67-55 - appliance inlets and reversible boxes

Hypra[®] IP 66/67-55 - appliance inlets and sockets with break isolating switch

LV 32 A (p. 399)

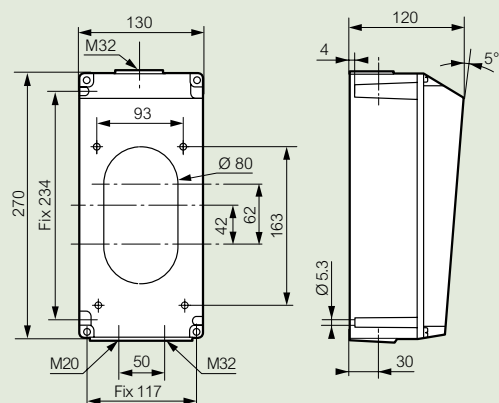
Fitted with 2 connected earth terminals and 1 outside terminal on metal box



Material	Weight (kg)
Plastic	0.240
Metal	0.650

LV 63 A (p. 399)

Fitted with 2 connected earth terminals and 1 outside terminal on metal box



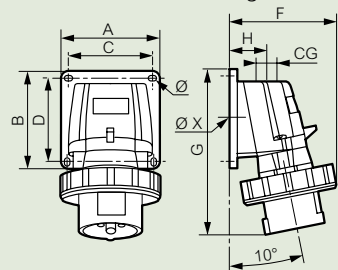
Material	Weight (kg)
Plastic	0.67
Metal	1.73

Surface mounting appliance inlets

IP 66/67-55 - LV 16 and 32 A (p. 400)

Terminal connections:

- 16 A: 1 x 2.5 mm² max. rigid
- 32 A: 1 x 6 mm² max. rigid



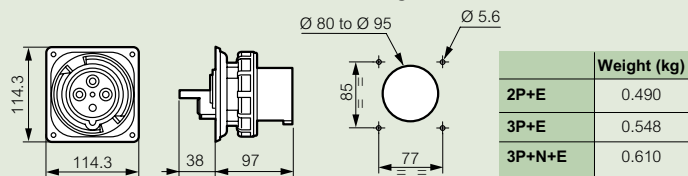
	Weight	A/B	C/D	F	G	H	CG cable gland	Ø	ØX
16 A									
2P + E	0.188			87	126				
3P + E	0.257	84	72	95	134	34	M 20	4.3	17
3P+N+E	0.297			100	141				
32 A									
2P + E	0.370			107	168	39	M 25	5.3	24
3P + E		110	98						
3P+N+E	0.413			113					

Panel mounting appliance inlets

External screws in stainless steel - Nickel-plated contacts

IP 66/67-55 - 63 A (p. 400)

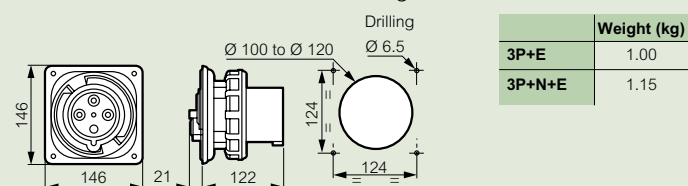
Can be fixed on box Cat.No 538 89 (p. 398)
Terminal connection: 1 x 16 mm² max. rigid



	Weight (kg)
2P+E	0.490
3P+E	0.548
3P+N+E	0.610

IP 66/67-55 - 125 A (p. 400)

Terminal connection: 1 x 50 mm² max. rigid



	Weight (kg)
3P+E	1.00
3P+N+E	1.15

Socket with break isolating switch

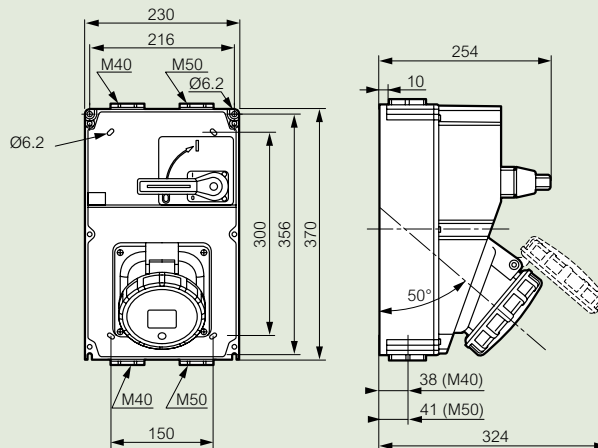
IP 66/67-55 - LV 125 A (p. 400)

IP 67 according to IEC and EN 60529

Icc 10 kA according to IEC and EN 60309-1

Panel mounting sockets: IK 09 according to IEC and EN 62262

External screws in stainless steel



Hypra[®] IP 44 and IP66/67-55 straight and angled plugs

LV 16 to 125 A and ELV 16 and 32 A

Characteristics

External screws in stainless steel - Nickel-plated contacts

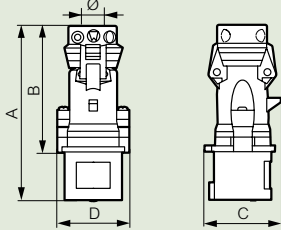
Terminal connection:

- LV 16 A: 1 x 2.5 mm² max. flexible
- LV 32 A: 1 x 6 mm² max. flexible
- LV 63 A: 1 x 16 mm² max. flexible
- LV 125 A: 1 x 50 mm² max. flexible
- ELV 16/32 A: 1 x 10 mm² max. flexible

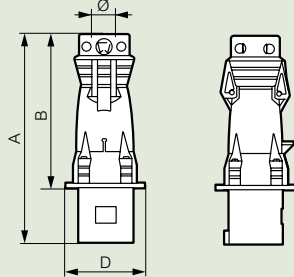
Dimensions

Straight plugs IP 44

LV and ELV 16/32 A (p. 399)



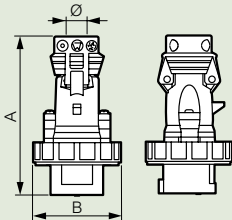
LV 63 A (p. 399)



	Material	Weight (kg)	Dimensions (mm)				Ø clamping and grip
			A	B	C	D	
LV 16 A							
2P+E	Plastic	0.150	135	100	57	55	8 to 15
	Metal	0.365					
	Rubber	0.205					
3P+E	Plastic	0.175	139	103	65	60	8 to 15
	Metal	0.425					
	Rubber	0.260					
3P+N+E	Plastic	0.210	154	118	73	66	10 to 18
	Metal	0.535					
	Rubber	0.300					
LV 32 A							
2P+E	Plastic	0.260	164	119	78	70,5	10 to 18
	Metal	0.645					
	Rubber	0.360					
3P+E	Plastic	0.260	164	119	81	70,5	12 to 22
	Metal	0.645					
	Rubber	0.360					
3P+N+E	Plastic	0.300	170	125	86	77	12 to 22
	Metal	0.685					
	Rubber	0.415					
LV 63 A							
2P+E	Plastic	0.580	255	188.5	-	102	16 to 26
	Rubber	0.900					
		0.640					
3P+E	Plastic	0.640	255	188.5	-	102	18.5 to 29
	Rubber	0.980					
		0.700					
3P+N+E	Plastic	0.700	255	188.5	-	102	20.5 to 32
	Rubber	1.050					
		0.280					
ELV 16/32 A							
2P	Plastic	0.180	142	107	62	55	8.5 to 22

Straight plugs IP 66/67-55

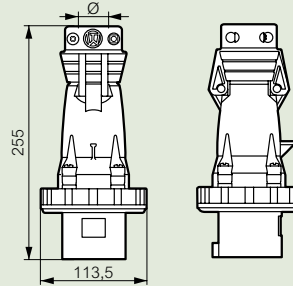
LV 16/32 A (p. 400)



	Weight (kg)	Dimensions (mm)		Ø clamping and grip
		A	B	
16 A				
2P+E	0.165	135	72.5	8 to 15
3P+E	0.195	139	81	8 to 15
3P+N+E	0.220	154	86.5	10 to 18
32 A				
2P+E	0.280	164	94.5	10 to 18
3P+E	0.280	164	94.5	12 to 22
3P+N+E	0.325	170	101	12 to 22

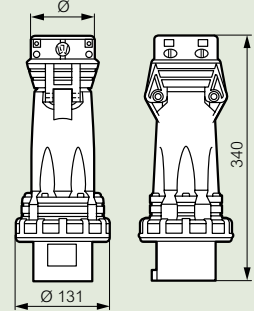
Straight plugs IP 66/67-55

LV 63 A (p. 400)



	Weight (kg)	Ø clamping and grip
2P+E	0.620	16 to 26
3P+E	0.680	18.5 to 29
3P+N+E	0.750	20.5 to 32

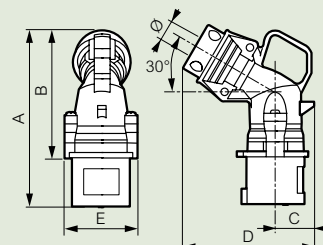
LV 125 A (p. 400)



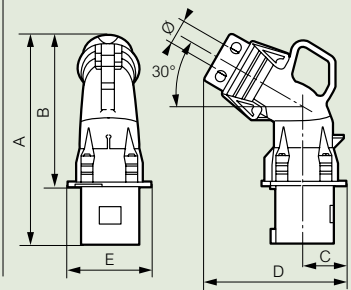
	Weight (kg)	Ø clamping and grip
3P+E	1.5	24 to 48
3P+N+E	1.7	28 to 48

Angled plugs IP 44

LV and ELV 16 and 32 A (p. 399)



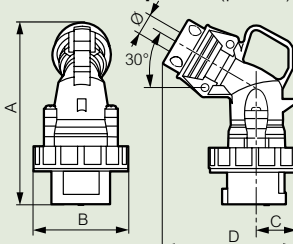
LV 63 A (p. 399)



	Material	Weight (kg)	Dimensions (mm)					Ø clamping and grip
			A	B	C	D	E	
LV 16 A								
2P+E	Plastic	0.145	136	100	29.5	100	55	8 to 15
	Metal	0.395						
	Rubber	0.230						
3P+E	Plastic	0.185	141	105	33.5	105	60	8 to 15
	Metal	0.455						
	Rubber	0.290						
3P+N+E	Plastic	0.220	150	114	37.5	114	66	10 to 18
	Metal	0.585						
	Rubber	0.330						
LV 32 A								
2P+E	Plastic	0.275	161	116	39.5	116	70.5	10 to 18
	Metal	0.745						
	Rubber	0.390						
3P+E	Plastic	0.275	161	116	39.5	116	70.5	12 to 22
	Metal	0.745						
	Rubber	0.390						
3P+N+E	Plastic	0.320	167	122	44.5	122	77	12 to 22
	Metal	0.790						
	Rubber	0.435						
LV 63 A								
2P+E	Metal	0.100	243.5	177	51	168	102	16 to 26
	Metal	1.150						
	Rubber	1.030						
3P+E	Metal	1.250	243.5	177	51	168	102	20.5 to 32
	Metal	1.250						
	Rubber	1.100						
ELV 16/32 A								
2P	Rubber	0.250	131	107	30	107	61	8.5 to 22

Angled plugs IP 66/67-55

LV 16-32 A - plastic (p. 400)



	Weight (kg)	Dimensions (mm)				Ø clamping and grip
		A	B	C	D	
16 A						
2P+E	0.165	136	72.5	29.5	100	8 to 15
3P+E	0.195	141	81	33.5	105	8 to 15
3P+N+E	0.220	150	86.5	37.5	114	10 to 18
32 A						
2P+E	0.280	161	94.5	39.5	116	10 to 18
3P+E	0.280	161	94.5	39.5	116	12 to 22
3P+N+E	0.325	167	101	44.5	122	12 to 22

Hypra[®] IP 44, IP 66/67-55 mobile sockets

■ Characteristics

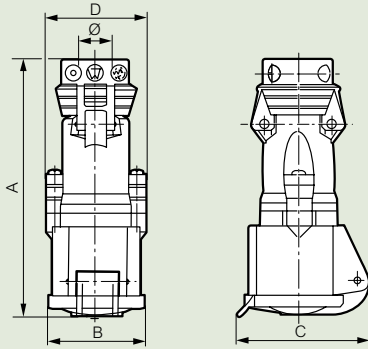
External screws in stainless steel - Nickel-plated contacts
Icc 10 kA according to IEC 60309-1

■ Dimensions

Mobile sockets IP 44 - LV and ELV 16 - 32 A (p. 399)

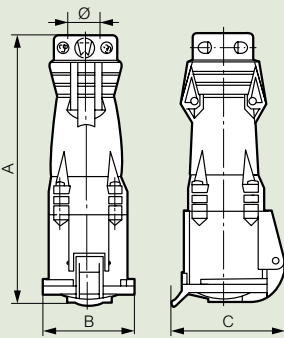
Terminal connections:

- LV 16 A: 1 x 2.5 mm² max. flexible
- LV 32 A: 1 x 6 mm² max. flexible
- ELV 16/32 A: 1 x 10 mm² max. flexible



LV 63 A (p. 399)

Terminal connection: 1 x 16 mm² max. flexible



	Material	Weight (kg)	Dimensions (mm)				Ø clamping and grip
			A	B	C	D	
LV 16 A							
2P+E	Plastic	0.170	147	54.5	74	55	8 to 15
	Rubber	0.250	147	58	74	61	8 to 15
3P+E	Plastic	0.200	151	61.5	81	60	8 to 15
	Rubber	0.285	151	65	81	66	8 to 15
3P+N+E	Plastic	0.245	172	69.5	90	66	10 to 18
	Rubber	0.335	172	72.5	90	72	10 to 18
LV 32 A							
2P+E	Plastic	0.300	177	71	93	70.5	10 to 18
	Rubber	0.400	177	74.5	93	76.5	10 to 18
3P+E	Plastic	0.300	177	71	93	70.5	12 to 22
	Rubber	0.400	177	74.5	93	76.5	12 to 22
3P+N+E	Plastic	0.350	183	77.5	100	77	12 to 22
	Rubber	0.475	183	80.5	100	83	12 to 22
LV 63 A							
2P+E	Plastic	0.700	273	96	119	-	16 to 26
	Rubber	1.200	273	110	124	-	16 to 26
3P+E	Plastic	0.770	273	96	119	-	18.5 to 29
	Rubber	1.300	273	110	124	-	18.5 to 29
3P+N+E	Plastic	0.830	273	96	119	-	20.5 to 32
	Rubber	1.400	273	110	124	-	20.5 to 32
ELV 16/32 A							
2P / 3P	Plastic	0.190	148	54.5	74	55	8.5 to 22
2P	Rubber	0.240	148	58	74	61	8.5 to 22

Mobile sockets IP 66/67-55 (p. 400)

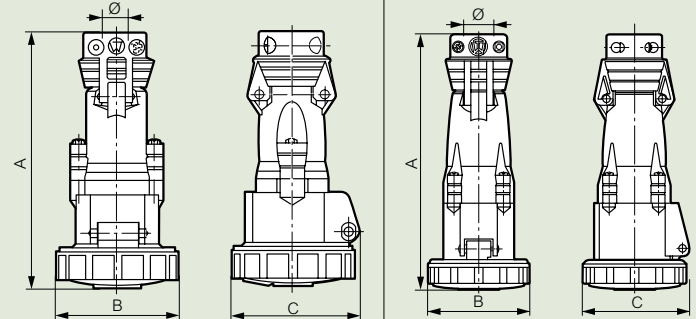
LV 16 - 32 A

Terminal connections:

- LV 16 A: 1 x 2.5 mm² max. flexible
- LV 32 A: 1 x 6 mm² max. flexible

LV 63 A

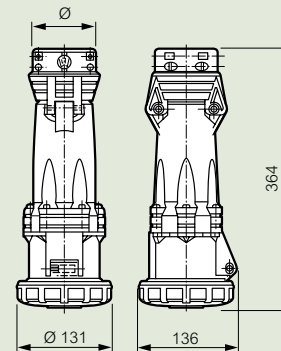
Terminal connection: 1 x 16 mm² max. flexible



	Material	Weight (kg)	Dimensions			Ø clamping and grip
			A	B	C	
LV 16 A						
2P+E	Plastic	0.180	150	72.5	75.5	8 to 15
3P+E	Plastic	0.215	154	81	86	8 to 15
3P+N+E	Plastic	0.275	169	86.5	89	10 to 18
LV 32 A						
2P+E	Plastic	0.320	179	94.5	99	10 to 18
3P+E	Plastic	0.320	179	94.5	99	12 to 22
3P+N+E	Plastic	0.375	185	101	105	12 to 22
LV 63 A						
2P+E	Plastic	0.780	278	113.5	119	16 to 26
3P+E	Plastic	0.850	278	113.5	119	18.5 to 29
3P+N+E	Plastic	0.910	278	113.5	119	20.5 to 32

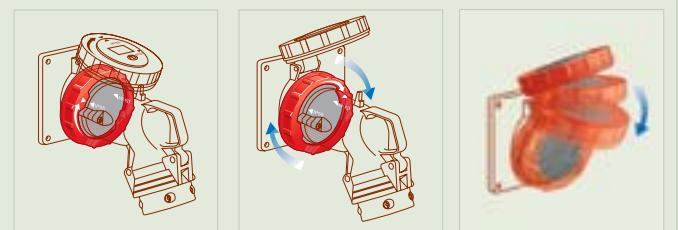
LV 125 A (p. 400)

Terminal connection: 1 x 50 mm² max. flexible



	Weight (kg)	Ø clamping and grip
125 A		
3P+E	1.8	24 to 48
3P+N+E	2.0	28 to 48

Hypra[®] IP 66/67-55



When connected⁽¹⁾, IP 55 guaranteed with the cover closed

IP 66/67 obtained with the ring locked

When not connected IP 55 automatically assured when cover is closed IP 66/67 obtained with the ring locked

(1) With a pair of IP 66/67-55 products

bells for industrial and alarm use

electromechanical sirens



414 62

413 49

414 19



415 23

415 33 with claws

Pack	Cat.Nos	Class I			
		Double insulated Polyester corrosion resistant finish 200 hours maxi. continuous rating			
		IP 44 - IK 10 - Direct current version			
		Ø150 mm gong			
		Voltage =	Average Consumption (mA)	Average acoustic output at 1 m (dB)	Weight (kg)
1	RAL 3000 Red 414 62	24 V	70	90	1
		IP 40 - IK 08 - 50/60 Hz - Alternating current version			
		Ø100 mm gong			
		Voltage ~	Consumption (mA)	Average acoustic output at 1 m (dB)	Weight (kg)
1	RAL 7037 Grey 413 49	230 V	50	95	0.8
		IP 44 - IK 10			
		Ø150 mm gong			
		Voltage ~	Consumption (mA)	Average acoustic output at 1 m (dB)	Weight (kg)
1	414 16	24V	360	98	1
1	414 18	110/130 V	90	98	1
1	414 19	230 V	50	98	1
		Ø250 mm gong			
1	414 39	230 V	70	98	2.1

Pack	Cat.Nos	Industrial warning devices 110 dB IP 20 - IK 08					
		Frequency 350/400 Hz, continuous sound Operates intermittently: 1 min on / 10 min off					
		Consumption in mA					
1	415 20	24 V~ and = power supply:				820	
1	415 23	230 V~ power supply:				120	
		Electromechanical sirens IP 30 - IK 05					
		Supplied with screws for semi-flush mounting					
		D.C. current					
		Voltage =	Power (W)	Consumption (mA)	Average acoustic output at 1 m (dB)	Weight (kg)	Max. continuous rating (hr)
1	415 32	12 V	11	889	98	0.2	200
1	415 33	24 V	12	516	100	0.2	200
		A.C. current - 50/60 Hz					
1	415 36	24 V	12.5	531	100	0.2	200
1	415 38	110 V	70	400	105	0.35	100
1	415 39	230 V	57	250	105	0.35	100
		Multi-sound electronic sirens					
		97 to 106 dB 16 electronic sounds possible for identification of each defined event Easy to identify and select sounds for each appliance using coded wheel Adjustable sound level					
1	415 45	230 V~, IP 44 - IK 07					

illuminated signalling



413 08



413 14

Pack	Cat.Nos	Rotating lights
1	413 08	Halogen lamp 20 W (supplied) Light intensity: 1 500 Cd (p) Screw-mounting Dim.: height 185 mm, Ø140 mm IP 65 - IK 10 230 V~, orange Consumption (mA) 300

10	413 62	Halogen lamp BA9 S H 12 V - 20 W: rotating lights Cat.No 413 08
----	--------	--

1	413 57	Flashing light Xenon lamp 2 joules 1 Flash (supplied) Light intensity: 1 050 Cd (p) Screw-mounting Dim.: height 185 mm, Ø140 mm IP 65 - IK 10 230 V~, red Consumption (mA) 72
---	--------	---

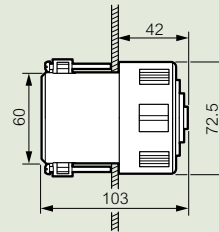
		Blinking or steady lights Environmental high quality LEDs	
		Screw-mounting Dim. height: 85 mm, Ø105 mm Equipped with 16 LEDs Ø5 mm, high brightness, low consumption Light intensity: 55 Cd(p)	
	Colour and voltage (V)	Consumption (mA)	
1	413 09	Orange, 24 V ac/dc	90
1	413 13	Red, 24 V ac/dc	90
1	413 10	Orange, 230 V ac	20
1	413 14	Red, 230 V ac	20

electromechanical sirens

■ Dimensions

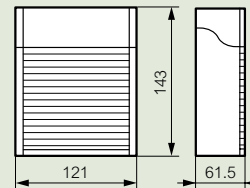
Electromechanical sirens

Cat.Nos 415 32/33/36/38/39



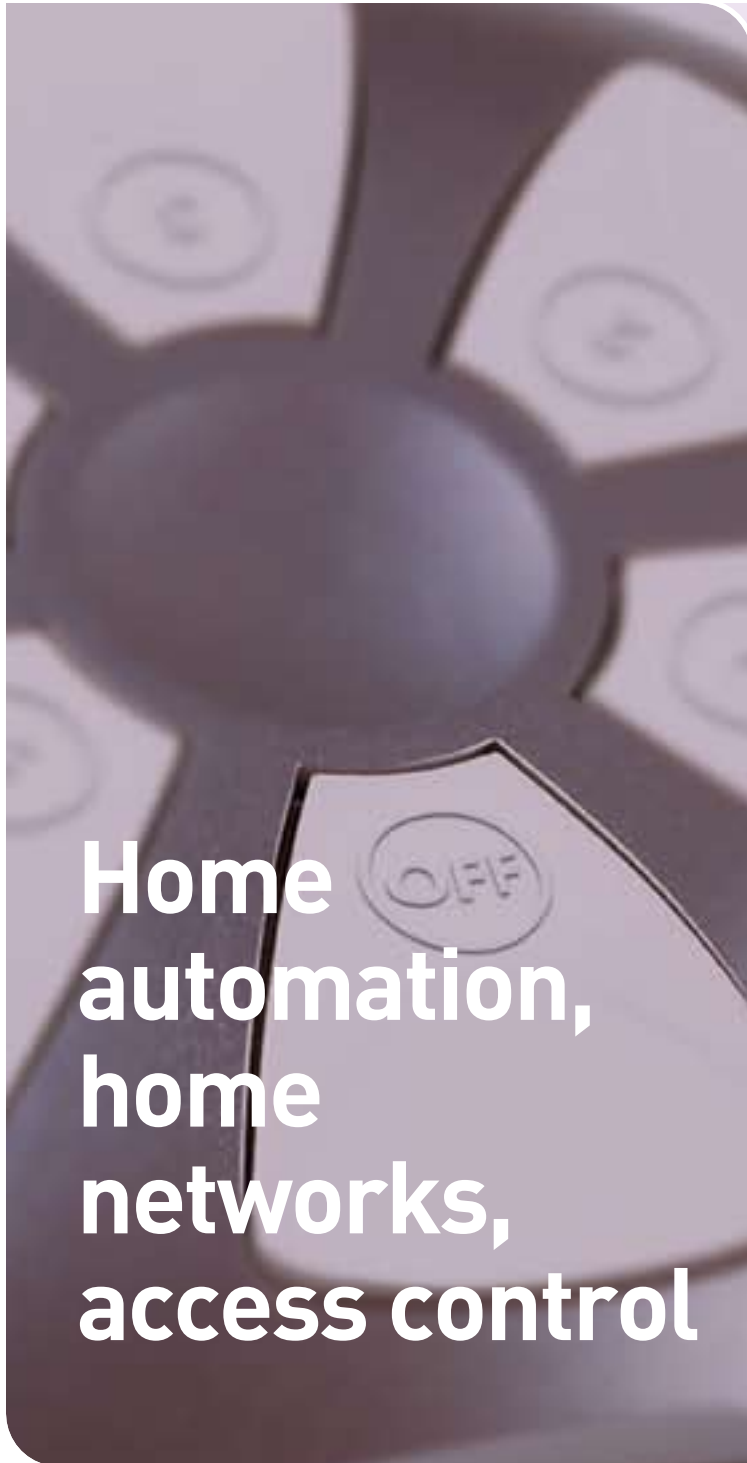
Multi-sound electronic sirens

Cat.No 415 45



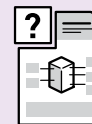
■ Selection chart of sounds (Cat.No 415 45)

Type of signal	Exemple of application	Position of code	Sound level (in Db at 1m)		Frequency in Hz	Consumption in mA
			max.	min.		
Danger	Moving equipment or vehicle	0	98	68	2400 to 2800	70
		1	102	73	1000 to 1500	45
	Interruption of a dangerous manufacturing process	2	98	70	2400 to 2800	75
		3	98	70	2400 to 2800	50
		4	99	72	2400 to 2800	100
Defect	Interruption of a non-dangerous manufacturing process	5	104	75	2400 to 2800	100
		6	102	70	1000 to 1500	30
		7	97	68	1000 to 1500	30
		8	101	73	1000 to 1500	50
		9	101	73	1000 to 1500	50
Miscellaneous	Access to a school, a work shop	A	102	74	1000 to 1500	30
		B	99	70	554	20
Evacuation	Fire	C	102	74	3000	100
		D	98	69	440 to 554	20
Intrusion	Inside alarm	E	106	81	3200 / 3700	130
		F	104	77	1400 / 1600	50



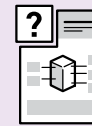
Home automation, home networks, access control

Radio/ZigBee® technology Arteor™
[In One by Legrand](#)



NEW
P. 414
 Presentation of Radio/Zigbee® technology

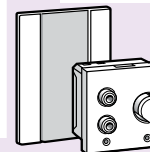
BUS/SCS technology Arteor™
[In One by Legrand](#)



NEW
P. 420
 Presentation of BUS/SCS technology

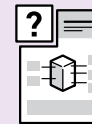


NEW
P. 427
 Switches, dimmers max. loads (selection chart)



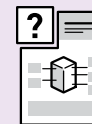
NEW
P. 433
 Sound diffusion

PLC technology Céliane™
[In One by Legrand](#)



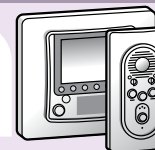
P. 440
 Presentation of PLC technology

Home networks
[In One by Legrand](#)



P. 448
 Presentation of Home networks

Access control
[In One by Legrand](#)



P. 458
 Céliane video and audio door entry systems

ZigBee® Certified product - Manufacturer Specific Profile

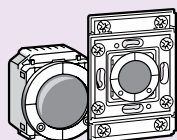
NEW IN 2009



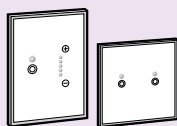
Arteor™
 Radio/ZigBee® technology
[In One by Legrand](#)
 (p. 414 to 419)



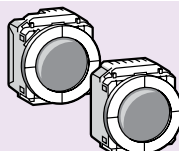
Arteor™
 BUS/SCS technology
[In One by Legrand](#)
 (p. 420 to 439)



NEW
P. 416
Lighting control
and automation
mechanisms



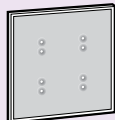
NEW
P. 417
Touch
plates



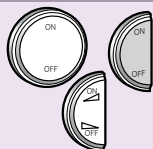
NEW
P. 417
Other
functions



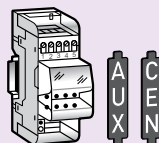
NEW
P. 418
Switches,
dimmers
max. loads
(selection chart)



NEW
P. 422
Lighting control
and automation
mechanisms



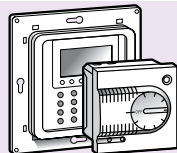
NEW
P. 423
Key covers



NEW
P. 424
Actuators,
BUS power
supplies
accessories



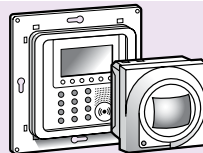
NEW
P. 426
Lighting control
installation



NEW
P. 428
Temperature
control



NEW
P. 429
Temperature
control
installation



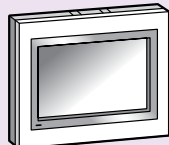
NEW
P. 430
Intruder alarm



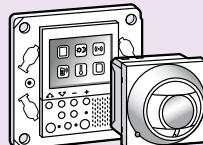
NEW
P. 432
Intruder alarm
installation



NEW
P. 435
Sound diffusion
installation



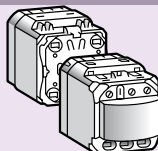
NEW
P. 436
House
management
system



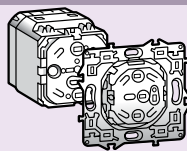
NEW
P. 437
Door entry systems



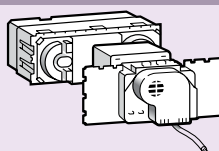
NEW
P. 439
Door entry
systems
installation



P. 442
Lighting
control



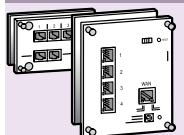
P. 444
Roller blinds
control



P. 445
Heating control,
technical detectors



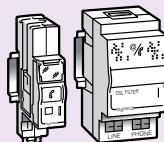
P. 447
IP Axiophone,
Media Server
characteristics



NEW
P. 450
Home networks
structured wiring



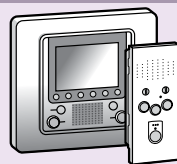
P. 452
Structured
wiring
technical
characteristics



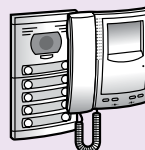
NEW
P. 454
Home networks
multimedia modular
system



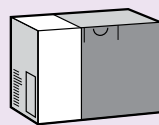
P. 455
Multimedia
modular system
technical
characteristics



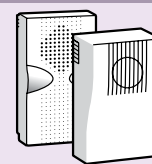
P. 462
Galea Life video
and audio door
entry systems



P. 466
Audio and video
door entry
systems
1>128 apartments



P. 471
Kits for video
and audio door
entry systems
1>12 apartments



P. 480
Electronic
chimes



**Home networks
structured wiring
(p. 450 to 452)**



**Home networks
multimedia
modular system
(p. 454 to 455)**



Customized solutions for comfort, safety and communication

With the **In One by Legrand** in your home, controlling and programming the electricity and the multimedia systems become a real pleasure.



In One by Legrand SOLUTIONS

Today Legrand can provide even more comfort, freedom of communication and safety. With the **In One by Legrand** system, controlling and programming all the electricity and multimedia systems in your home becomes a real pleasure:

- Dim the lights, control the motorised roller blinds and adjust the heating with a single action
- Communicate as you choose throughout the house - whatever the medium, the sockets recognise the type of device and the panel sends the right signal
- Whether you want to monitor your house or welcome friends for a dinner party, the **In One by Legrand** solutions can monitor people's safety and ensure peace of mind for the whole family



Mobile scenarios
controller

► **COMFORT FUNCTIONS** NEW



ARTEOR™ SCENARIO CONTROLLERS
(See p. 436)
Centralisation and control of all the functions at a single point in the house



ARTEOR™ LIGHTING CONTROL
(See p. 422-425)
Control the lighting for even greater comfort



ARTEOR™ TEMPERATURE CONTROLLER
(See p. 428)
Manage your energy consumption by choosing exactly the temperature you want



ARTEOR™ ROLLER BLIND CONTROLS
(See p. 422-425)
Create scenarios adapted to the lifestyles of the users



► **SAFETY FUNCTIONS** NEW



ARTEOR™ ACCESS CONTROL
(See p. 437-438)
Check visitors' identity in total safety with the audio and video door entry kits

► **COMMUNICATION FUNCTIONS** NEW



ARTEOR™ SOUND DISTRIBUTION
(See p. 433-434)
Listen to your favourite music programme anywhere in the house

► **In One by Legrand**
FUNCTIONS IN OTHER RANGES



- Céliane (See p. 528-539)
- Galea Life (See p. 648-671)
- Vela (See p. 704-711)
- Synergy (See p. 590-591)
- Mallia (See p. 630-631)

OTHER LEGRAND SYSTEMS AND RANGES FOR YOUR PROJECTS



Lexic modular DIN-Rail equipment
See p. 142-143



Home networks
See p. 448-449 and 453



International standards wiring accessories
See p. 484-485



Weatherproof and vandal-proof wiring accessories systems
See p. 738-739