

Hypra[®] IP 44/55 Prinsinter IP 44 LV 16-32A

Conform to IEC 60309-1 and IEC 60309-2
IP 44 according to IEC 60529
IK 09: plastic and rubber
IK 10: metal according to IEC 62262
Self-extinguishing:
- 850° C (support of active parts) / 960° C for Prinsinter)
- 650° C: plastic housing conform to IEC 60695-2-10
- 50° C to + 100° C (- 20° C for Prinsinter)



			Prinsinter ⁽¹⁾		Panel mounting sockets		Surface mounting sockets	Through wiring surface mounting sockets
			Panel mounting sockets	Surface mounting sockets	Standard	With single fixing centre		
			Plastic	Plastic	Plastic	Plastic	Plastic	Plastic
200 to 250V 50 and 60 Hz	16A	2P + E	520 02	520 02 + 520 49	520 22		520 22 + 520 29	520 22 + 520 89
	32A	2P + E	527 02	527 02 + 529 49		527 18	527 18 + 529 40	527 18 + 529 90
380 to 415V 50 and 60 Hz	16A	3P + E	522 03	522 03 + 520 49	522 23	522 19	522 23 + 522 29	522 23 + 522 89
		3P + N + E	522 04	522 04 + 522 49	522 24	522 20	522 24 + 522 29	522 24 + 522 89
	32A	3P + E	529 03	529 03 + 529 49		529 19	529 19 + 529 40	529 19 + 529 90
		3P + N + E	529 04	529 04 + 529 49		529 20	529 20 + 529 40	529 20 + 529 90

Hypra[®] IP 44 LV 16-32A

Conform to IEC 60309-1 and IEC 60309-2
IP 44 according to IEC 60529
IK 09: plastic and rubber
IK 10: metal according to IEC 62262
Self-extinguishing:
- 850° C (support of active parts) / 960° C for Prinsinter)
- 650° C: plastic housing conform to IEC 60695-2-10
- 50° C to + 100° C (- 20° C for Prinsinter)



			straight plugs	Angled plugs	Mobile sockets	Panel appliance inlets	Surface appliance inlets
			Plastic	Plastic	Plastic	Plastic	Plastic
200 to 250V 50 and 60 Hz	16A	2P + E	520 42	520 62	520 82	521 72	521 72 + 520 79
	32A	2P + E	527 42	527 62	527 82	528 72	528 72 + 529 79
380 to 415V 50 and 60 Hz	16A	3P + E	522 43	522 63	522 83	521 73	521 73 + 522 79
		3P + N + E	522 44	522 64	522 84	521 74	521 74 + 522 79
	32A	3P + E	529 43	529 63	529 83	528 73	528 73 + 529 79
		3P + N + E	529 44	529 64	529 84	528 74	528 74 + 529 79

Note:
IP44 LV 63A available on request
Metal available on request

(1) Dust resistance IP may be increased by rubber push-button (on request) IP55 cover closed or connected - IP44 connected

Hypra[®] IP 66/67-55 plastic

LV 16 - 32 - 63 and 125A

LV 16 and 32A Conform to IEC 60309-1 and IEC 60309-2 IP according to IEC 60529 IK 09: Plastic Self-extinguishing: 850° C (support of active parts) / 650° C (plastic housing)										
			Inclined outlet	with single fixing centre	Surface mounting sockets	Through wiring surface sockets	Straight plugs	Angled plugs	Mobile sockets	Panel appliance inlet
			Plastic	Plastic	Plastic	Plastic	Plastic	Plastic	Plastic	Plastic
100 to 130V 50 and 60 Hz	16A	2P + E	511 25	511 45	511 25 + 520 29	511 25 + 520 89	511 55		511 75	511 85
200 to 250V 50 and 60 Hz	16A	2P + E	511 26	511 46	511 26 + 520 29	511 26 + 520 89	511 56	511 06	511 76	511 86
	32A	2P + E		530 46	530 46 + 529 40	530 46 + 529 90	530 56	530 06	530 76	530 86
	63A	2P + E	59 326		593 36		593 46		593 86	593 76
	63A	3P + E	593 27		593 37		593 47		593 87	
380 to 415V 50 and 60 Hz	16A	3P + E	511 30	511 50	511 30 + 522 29	511 30 + 522 89	511 60	511 10	511 80	511 90
		3P + N + E	511 31	511 51	511 31 + 522 29	511 31 + 522 89	511 61	511 11	511 81	511 91
	32A	3P + E		530 50	530 50 + 529 40	530 50 + 529 90	530 60	530 10	530 80	530 90
		3P + N + E		530 51	530 51 + 529 40	530 51 + 529 90	530 61	530 11	530 81	530 91
380 to 415V 50 and 60 Hz	16A	3P + E	511 30	511 50	511 30 + 522 29	511 30 + 522 89	511 60	511 10	511 80	511 90
		3P + N + E	511 31	511 51	511 31 + 522 29	511 31 + 522 89	511 61	511 11	511 81	511 91
	32A	3P + E		530 50	530 50 + 529 40	530 50 + 529 90	530 60	530 10	530 80	530 90
		3P + N + E		530 51	530 51 + 529 40	530 51 + 529 90	530 61	530 11	530 81	530 91

LV 63A and 125A Conform to IEC 60309-1 and IEC 60309-2 IP according to IEC 60529 IK 09: Plastic Self-extinguishing: 850° C (support of active parts) / 650° C (plastic housing)										
			Socket with break isolating switch	Panel mounting sockets inclined outlets	Surface mounting sockets	Through wiring surface sockets	Straight plugs	Mobile sockets	Straight Panel appliance inlets	Surface appliance inlets
			Plastic	Plastic	Plastic	Plastic	Plastic	Plastic	Plastic	Plastic
380 to 415V 50 and 60 Hz	63A	3P + E		594 27	594 37	594 27 + 538 89	594 47	594 87	594 77	
		3P + N + E		594 28	594 38	594 28 + 538 89	594 48	594 88	594 78	
	125A	3P + E	591 14	595 12	595 02		595 22	595 32	595 42	595 44
		3P + N + E	591 15	595 13	595 03		595 23	595 33	595 43	595 45

Some items sold separately

For pack quantity, please refer to numerical index pages

For trade price, please see your local HPM Legrand representative for the current price list

Hypra[®] IP 66/67-55 combined units

surface mounting 16A, 32A and 63A

Socket outlets Conform to IEC 60309-1 / IEC 60309-2					
			Socket with switch IP66/67*	Socket with switch + MCB "C" Curve	Socket with switch + RCBO 30mA AC type
			Plastic	Plastic	Plastic
200 to 250V	16A	2P + E	592 60	596 61	596 51
	32A	2P + E	592 63	596 65	596 55
380 to 415V	16A	3P + E	592 61	596 62	596 52
		3P + N + E	592 62	596 63	596 53
	32A	3P + E	592 64	596 67	596 57
		3P + N + E	592 65	596 68	596 58
	63A	3P + E	592 66	596 69	596 59 ⁽²⁾
		3P + N + E	592 67	596 70	596 81 ⁽¹⁾

Hypra[®] IP 66/67-55 refrigerated container units

surface mounting 32A

Conforms to IEC 60309-2 3 hour 32A 440V~ - 50-60Hz Material: Polyamide 6 Self-extinguishing: 850 C Temperature rating: -15 C to +40 C ISO entries: M25 (59695) Double mechanical interlock (59695)							
			Socket with switch IP66/67	Panel mounting sockets	Straight plugs	Mobile sockets	Surface Appliance inlets
380-415	32A	3P + E	596 95	529 26	529 46	529 86	529 36

(1) With RCD 30mA - 63A - AC

(2) With MCB and add-on RCD module 30mA - 63A "AC" (63A) "C"

592 60 to 592 67 earth position at 6 o' clock

596 95 earth position at 3 o' clock

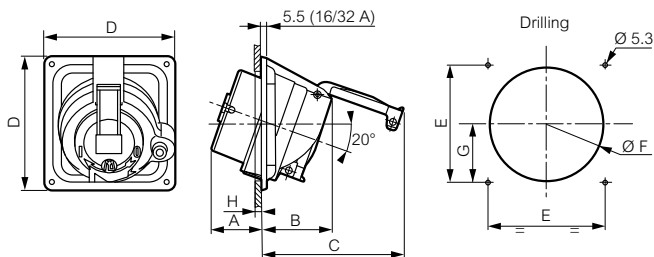


For Quantum Range – AS/NZS plug and socket configuration
See HPM catalogue section 18

Hypra[®] IP 44 and IP 44/55 Prisinter[™] LV 16 to 32 A

■ Prisinter - panel mounting sockets - LV 16-32 A (p. 153)

Terminal connection (max.)
 BT 16 A : rigid - 1 x 4 mm²
 BT 32 A : rigid - 1 x 10 mm²
 Prisinter sockets 32 A : flexible - 1 x 6 mm²
 Conform to EN 60309-1, NF EN 60309-2, IEC 60309-1 and IEC 60309-2
 IK 09 : plastic and rubber
 IK 10 : metal according to EN 62262 et IEC 62262
 Self-extinguishing :
 850 ° C support of active parts, 950 ° C for Prisinter
 650 ° C plastic housing
 - 50 ° C à + 100 ° C (- 20 ° C pour les Prisinter)
 Icc 10 kA according to EN 60309-1 and IEC 60309-1
 Dust resistance IP may be increased by rubber push-button (on request)



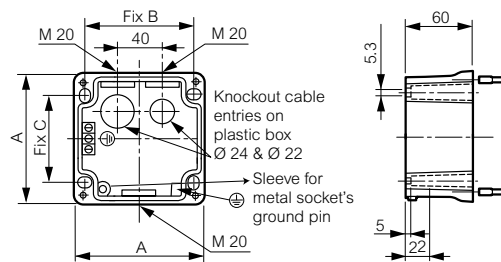
	Material	Weight (kg)	A	B	C	D	E	F min	F max	G	H max
16 A											
2P+E	Plastic	0.42	46	70	132	115	100	92	98	46	6 to 10
	Metal	1.25									
3P+E	Plastic	0.48	46	70	138	115	100	92	96	46	6 to 10
	Metal	1.33									
3P+N+E	Plastic	0.57	46	75	156	125	110	102	106	51.5	7
	Metal	1.47									
32 A											
2P+E	Plastic	0.57	54	77	153	143	125	115	122	58.5	10 to 20
	Metal	1.47									
3P+E	Plastic	0.61	54	77	153	143	125	115	122	58.5	10 to 20
	Metal	1.5									
3P+N+E	Plastic	0.65	55	79	169	143	125	119	122	58.5	9 to 13
	Metal	1.8									

Breaking capacity 3 x 400 V~ according to IEC 60947-1-3

Category	16 A	32 A
AC 1	16 A	32 A
AC 23	8.4 kW	16.8 kW
AC 3		

■ Reversible box for Prisinter sockets

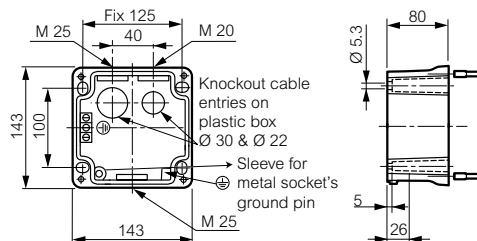
LV 16 A (p. 153)



3 entries among which
 2 entries M20 sealed with B20P blanking plug for auxiliary contact use
 Fitted with 2 connected earth terminals and 1 outside terminal on metal box

	Material	Weight (kg)	A (mm)	B (mm)	C (mm)
2P+E	Plastic	0.14	115	97	78
3P+E	Metal	0.8			
3P+N+E	Plastic	0.16	125	107	88
	Metal	0.9			

LV 32 A (p. 153)



3 entries among which
 1 M20 sealed with B20P blanking plug for auxiliary contact
 1 M25 sealed with B25P blanking plug
 Fitted with 2 connected earth terminals and 1 outside terminal on metal box

Hypra[®] IP 44, IP 66/67-55 panel mounting sockets

LV 16 to 125 A

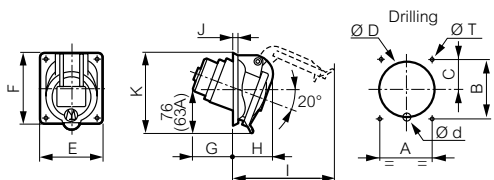
■ Dimensions

IP 44 - LV 16 to 32A (p. 154)

External screws in stainless steel - Nickel-plated contacts
Enable realization of surface mounting sockets, associated with reversible box

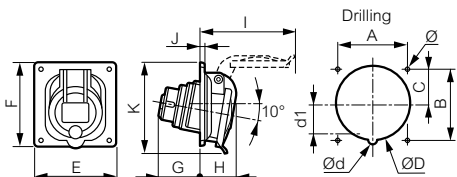
Terminal connection (max.):

- LV 16 A: 1 x 4 mm² rigid
- LV 32 A: 1 x 10 mm² rigid



	Weight (kg)	Drilling			Dimensions										
		A	B	C	ØD	Ød	ØT	E	F	G	H	I	J	K	
LV - 16 A															
2P+E	Plastic	0.110													
	Metal	0.340	52	60	28	55	14.5	4.2	64	72	41	40	94	5.5	78.5
3P+E	Plastic	0.140													
	Metal	0.405	60	70	31	63.5	14.5	5.2	74	84	44	40	98	5.5	88
3P+N+E	Plastic	0.165													
	Metal	0.450	60	70	33	70.6	-	5.2	80	84	44	44	110	5.5	93
LV - 32 A															
2P+E/															
Metal	0.605	70	80	38	76.2	10	5.2	84	94	50	53	120	5.5	103	
3P+E															
Metal	0.660	70	80	38	76.2	10	5.2	84	94	52	56	124	5.5	107	

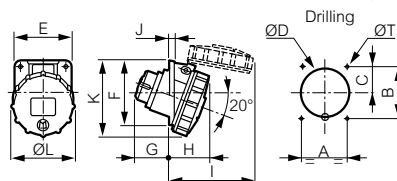
IP 44 - LV 16 and 32 A with single fixing centres (p. 154)



	Weight (kg)	A	B	C	D	d	d1	E	F	G	H	I	J	K	
		LV 16 A													
2P+E	0.110	70	70	35	76.2	/	/	84	84	37	36	89	4.5	88	4.2
3P+E	0.140	70	70	35	76.2	/	/	84	84	43	36	97	4.5	89	4.2
3P+N+E	0.165	70	70	35	76.2	/	/	84	84	43	37	106	4.5	91	4.2
LV - 32 A															
2P+E/															
Metal	0.220	70	70	35	76.2	-	-	84	94	54	45	117	4.5	100	4.2
3P+E															
Metal	0.255	70	70	35	76.2	8	36	84	94	54	46	125	4.5	102	4.2

IP 66/67-55 - LV 16 A (p. 154)

External screws in stainless steel - Nickel-plated contacts
Terminal connection (max.): 1 x 4 mm² rigid or flexible

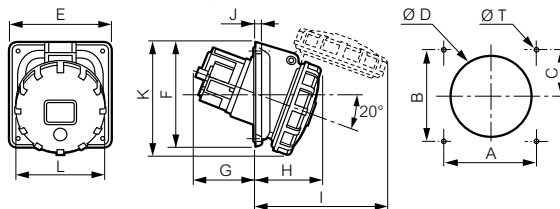


	Weight (kg)	Drilling			Dimensions									
		A	B	C	ØD	ØT	E	F	G	H	I	J	K	L
LV - 16 A														
2P+E	0.140	52	60	33	55	4.2	64	72	40	45	91	5.5	87	72.5
3P+E	0.165	60	70	39	63.5	5.2	74	84	41	48	102	5.5	96	81
3P+N+E	0.195	60	70	37	70.6	5.2	80	84	42	50	106	5.5	96	86.5

IP 66/67-55 - LV 63 and 125 A (p. 153)

Terminal connection (max.):

- 63 A: 1 x 25 mm² rigid
- 125 A: 1 x 70 mm² rigid

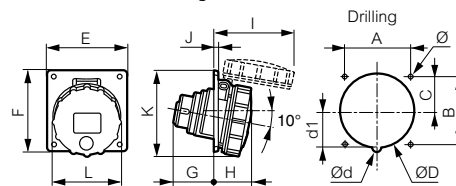


	Weight (kg)	Drilling			Dimensions									
		A	B	C	ØD	ØT	E	F	G	H	I	J	K	ØL
LV - 63 A														
2P+E	0.680													
3P+E	0.710	77	85	42.5	92	6.5	106	106	98	79	158	6	127	113.5
3P+N+E	0.770													
LV - 125 A														
3P+E	1.400	124	124	62	120	6.5	146	146	84	93	182	8	157	131
3P+N+E	1.550													

IP 66/67-55 - LV 16 and 32 A with single fixing centres (p. 154)

Terminal connection (max.):

- 16 A: 1 x 4 mm² rigid
- 32 A: 1 x 10 mm² rigid

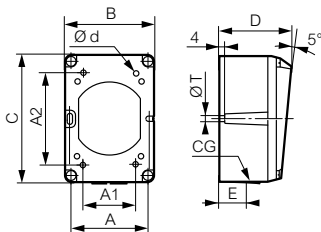


	Weight (kg)	Drilling			Dimensions (mm)											
		A	B	C	ØD	Ød	d1	Ø	E	F	G	H	I	J	K	ØL
LV 16 A																
2P+E	0.140	70	70	35	76.2	-	-	4.2	84	84	42	39	83	4.5	90	72.5
3P+E	0.165	70	70	35	76.2	-	-	4.2	84	84	43	41	98	4.5	93	81
3P+N+E	0.195	70	70	35	76.2	-	-	4.2	84	84	43	41	99	4.5	91	86.5
LV 32 A																
2P+E	0.240	70	70	35	76.2	-	-	4.2	84	94	54	50	113	4.5	101	94.5
3P+E	0.240	70	70	35	76.2	-	-	4.2	84	94	54	50	113	4.5	101	94.5
3P+N+E	0.270	70	70	35	76.2	8	36	4.2	84	94	54	51	120	4.5	103	101

Hypra[®] IP 44, IP 66/67-55 surface mounting sockets reversible box LV 16 to 63 A

■ Dimensions

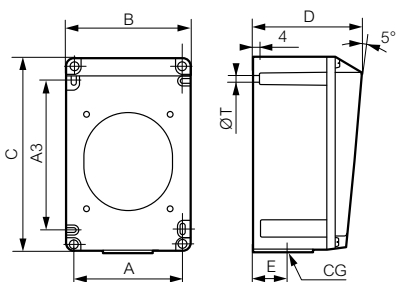
IP 44, IP 66/67-55 - LV 16 A (p. 153 - 154)



Fix A1 and A2:
Blind optional fixing points
Metal boxes fitted with
- 2 connected earth terminals and
1 outside terminal
- 1 sleeve for metal socket's ground pin

Surface mounting sockets → Panel mounting sockets ↓		Weight (kg)	Drilling					Dimensions					CG cable gland
			A1	A2	Ød	A	ØT	B	C	D	E		
IP 44 and IP 66/67-55 - LV 16 A													
2P+E	Plastic	0.115											
	Metal	0.400	51	68	4.2	64	5.3	74	106	58	20	M 20	
3P+E/ 3P+N+E	Plastic	0.160											
	Metal	0.520	68	68	4.2	85	5.3	96	122	60	22	M 20	

IP 44, IP 66/67-55 - LV 32 A (p. 153 - 154)



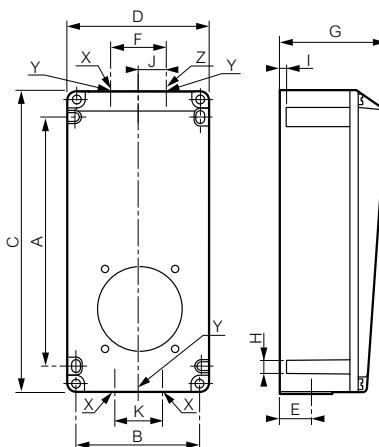
Blind optional fixing points
Metal boxes fitted with
- 2 connected earth terminals and
1 outside terminal
- 1 sleeve for metal socket's ground pin

Surface mounting sockets → Panel mounting sockets ↓		Weight (kg)	Drilling			Dimensions				CG cable gland
			A	A3	ØT	B	C	D	E	
IP 44 and IP 66/67-55 - LV 32 A										
2P+E/ 3P+E/ 3P+N+E	Plastic	0.340								
	Metal	0.910	90	125	5.3	102	162	90	26	M 25

Hypra[®] IP 44, IP66/67-55 and IP 66/67 through wiring surface mounting sockets

■ Dimensions

IP 44 - LV 16 to 32 A, IP 66/67-55 - LV 16 and 32 A, IP 66/67 - LV 63 A (p. 153 - 154)

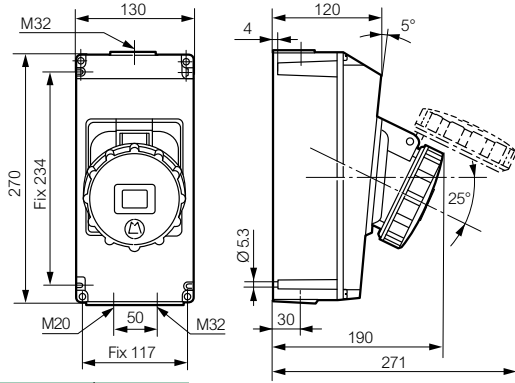


5° Plastic boxes fitted with 2 connected earth terminals
Metal boxes fitted with
- 2 connected earth (16/32 A) terminals and
1 outside terminal
- 1 sleeve for metal socket's ground pin
- 3 connected earth (63 A) terminals

Surface mounting sockets → Panel mounting sockets ↓		Weight (kg)	Drilling							Dimensions						
			A	B	H	C	D	E	F	G	I	J	K	X	Y	Z
16 A																
2P+E	Plastic	0.330														
	Metal	0.830	145	74	5.3	182	86	22	34	75	4	-	-	-	M 20	
3P+E/ 3P+N+E	Plastic	0.440														
	Metal	0.980	175	88	5.3	212	100	22	40	77	4	-	-	-	M 20	-
32 A																
2P+E/ 3P+E/ 3P+N+E	Plastic	0.670														
	Metal	1.730	234	117	5.3	270	130	30	50	120	4	-	-	-	M 25	-

Hypra[®] IP 66/67-55 surface mounting sockets

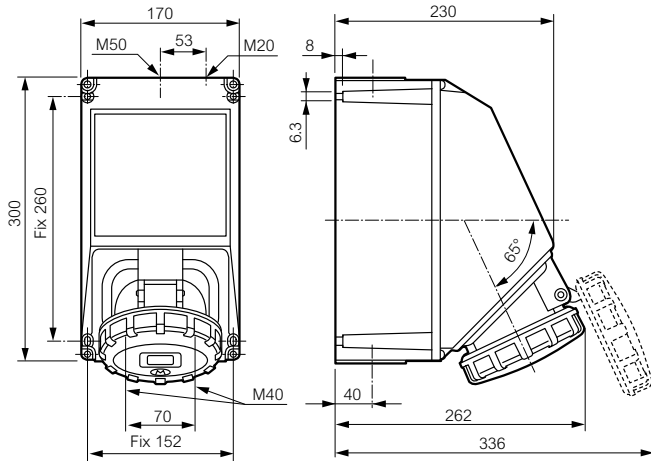
IP 66/67-55 - LV 63 A (p. 153 - 154)



	Weight (kg)
2P+E	1.500
3P+E	1.550
3P+N+E	1.600

IP 66/67-55 - LV 125 A (p. 153 - 154)

Terminal connection: 1 x 70 mm² rigid max.



	Weight (kg)
3P+E	3.5
3P+N+E	3.7

Hypra[®] IP 44 - panel appliance inlets and reversible boxes

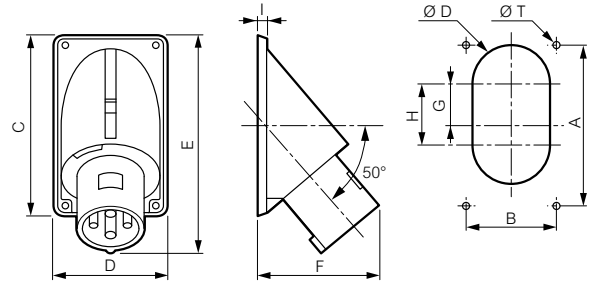
External screws in stainless steel - Nickel-plated contacts

■ Panel appliance inlets (inclined)

IP 44: LV 16, 32 A (p. 153 - 154)

Terminal connections:

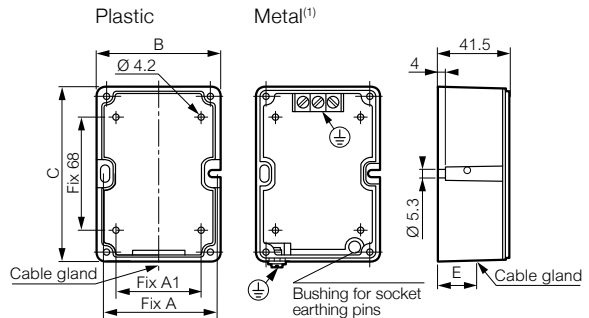
- 16 A: 1 x 2.5 mm² max. rigid
- 32 A: 1 x 6 mm² max. rigid



	Material	Weight (kg)	Drilling				Dimensions						
			A	B	ØT	ØD	G	H	C	D	E	F	I
LV - 16 A													
2P+E	Plastic	0.140	94	62	4.5	40	-	-	104	72	121	78	6
	Metal	0.530											
3P+E	Plastic	0.160	109	83	4.5	40	-	-	120	94	135	86	6
	Metal	0.630											
3P+N+E	Plastic	0.190	109	83	4.5	40	-	-	120	94	139	86	6
	Metal	0.690											
LV - 32 A													
2P+E/ 3P+E	Plastic	0.280	149	90	5.5	40	-	-	160	101	176	111	6
	Metal	0.950											
3P+N+E	Plastic	0.320	149	90	5.5	40	-	-	160	101	174	108	6
	Metal	1.000											

■ Reversible boxes for surface appliance inlets

LV 16 A (p. 153)



Fix A1 and Fix 68 :
Blind optional fixing points

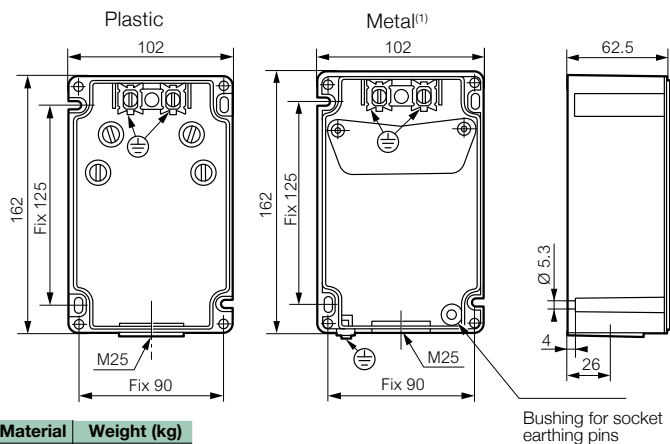
	Material	Weight (kg)	A	A1	B	C	E	Cable gland
	Metal	0.250					22	
3P+E	Plastic	0.110	85	68	96	122	22	M20
3P+N+E	Metal	0.360						

(1) Metal on request

Hypra[®] IP 44 and IP 66/67-55 - appliance inlets and reversible boxes

LV 32 A (p. 153 - 154)

Fitted with 2 connected earth terminals and 1 outside terminal on metal box



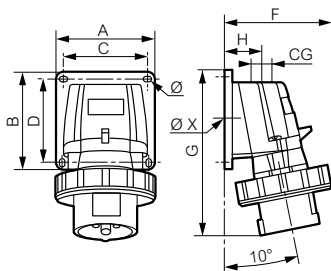
Material	Weight (kg)
Plastic	0.240
Metal	0.650

Surface mounting appliance inlets

IP 66/67-55 - LV 16 and 32 A (p. 153 - 154)

Terminal connections:

- 16 A: 1 x 2.5 mm² max. rigid
- 32 A: 1 x 6 mm² max. rigid



	Weight	A/B	C/D	F	G	H	CG cable gland	Ø	ØX
16 A									
2P + E	0.188	84	72	87	126	34	M 20	4.3	17
3P + E	0.257			95	134				
3P+N+E	0.297			100	141				
32 A									
2P + E	0.370	110	98	107	168	39	M 25	5.3	24
3P + E	0.413			113					

Hypra[®] IP 66/67-55 - appliance inlets and sockets with break isolating switch

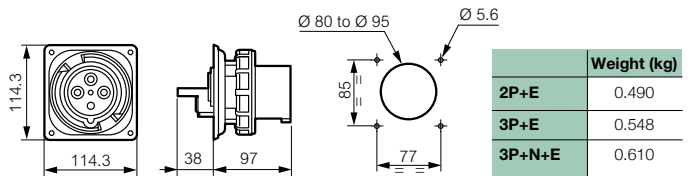
Panel mounting appliance inlets

External screws in stainless steel - Nickel-plated contacts

IP 66/67-55 - 63 A (p. 153 - 154)

Can be fixed on box Cat. No. 538 89 (153 - 154)

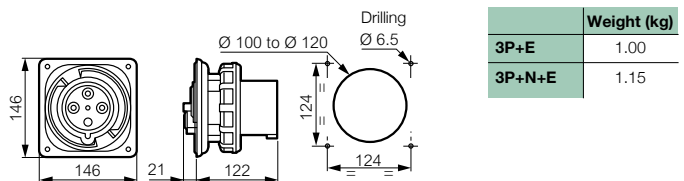
Terminal connection: 1 x 16 mm² max. rigid



	Weight (kg)
2P+E	0.490
3P+E	0.548
3P+N+E	0.610

IP 66/67-55 - 125 A (p. 161)

Terminal connection: 1 x 50 mm² max. rigid



	Weight (kg)
3P+E	1.00
3P+N+E	1.15

Socket with break isolating switch

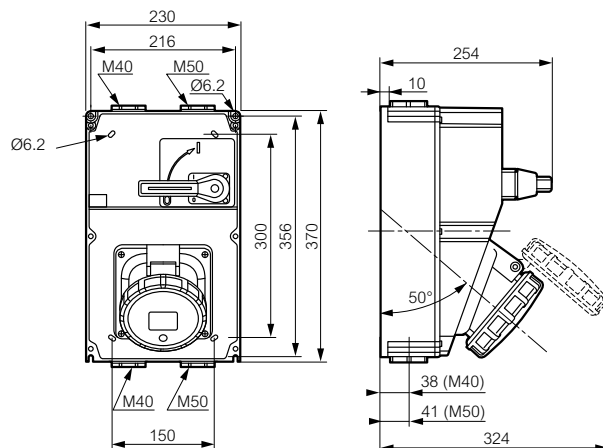
IP 66/67-55 - LV 125 A (p. 153 - 154)

IP 67 according to IEC and EN 60529

Icc 10 kA according to IEC and EN 60309-1

Panel mounting sockets: IK 09 according to IEC and EN 62262

External screws in stainless steel



(1) Metal on request

Hypra[®] IP 44 and IP66/67-55 straight and angled plugs

LV 16 to 125 A

Characteristics

External screws in stainless steel - Nickel-plated contacts

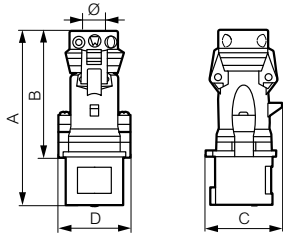
Terminal connection:

- LV 16 A: 1 x 2.5 mm² max. flexible
- LV 32 A: 1 x 6 mm² max. flexible
- LV 63 A: 1 x 16 mm² max. flexible
- LV 125 A: 1 x 50 mm² max. flexible

Dimensions

Straight plugs IP 44

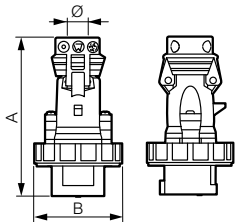
LV 16/32 A (p. 153 - 154)



	Material	Weight (kg)	Dimensions (mm)				Ø clamping and grip
			A	B	C	D	
LV 16 A							
2P+E	Plastic	0.150	135	100	57	55	8 to 15
	Metal	0.365					
	Rubber	0.205					
3P+E	Plastic	0.175	139	103	65	60	8 to 15
	Metal	0.425					
	Rubber	0.260					
3P+N+E	Plastic	0.210	154	118	73	66	10 to 18
	Metal	0.535					
	Rubber	0.300					
LV 32 A							
2P+E	Plastic	0.260	164	119	78	70,5	10 to 18
	Metal	0.645					
	Rubber	0.360					
3P+E	Plastic	0.260	164	119	78	70,5	12 to 22
	Metal	0.645					
	Rubber	0.360					
3P+N+E	Plastic	0.300	170	125	86	77	12 to 22
	Metal	0.685					
	Rubber	0.415					

Straight plugs IP 66/67-55

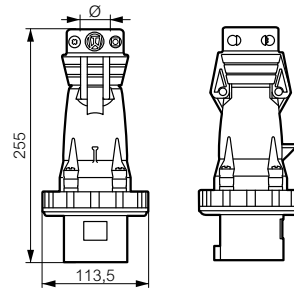
LV 16/32 A (p. 153 - 154)



	Weight (kg)	Dimensions (mm)		Ø clamping and grip
		A	B	
16 A				
2P+E	0.165	135	72.5	8 to 15
3P+E	0.195	139	81	8 to 15
3P+N+E	0.220	154	86.5	10 to 18
32 A				
2P+E	0.280	164	94.5	10 to 18
3P+E	0.280	164	94.5	12 to 22
3P+N+E	0.325	170	101	12 to 22

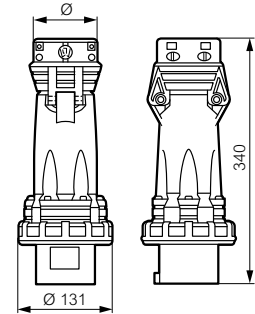
Straight plugs IP 66/67-55

LV 63 A (p. 153 - 154)



	Weight (kg)	Ø clamping and grip
2P+E	0.620	16 to 26
3P+E	0.680	18.5 to 29
3P+N+E	0.750	20.5 to 32

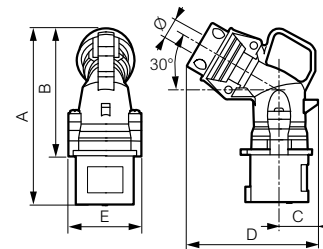
LV 125 A (p. 153 - 154)



	Weight (kg)	Ø clamping and grip
3P+E	1.5	24 to 48
3P+N+E	1.7	28 to 48

Angled plugs IP 44

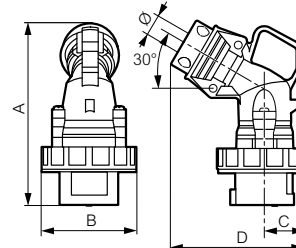
LV 16 and 32 A (p. 153 - 154)



	Material	Weight (kg)	Dimensions (mm)					Ø clamping and grip
			A	B	C	D	E	
LV 16 A								
2P+E	Plastic	0.145	136	100	29.5	100	55	8 to 15
	Metal	0.395						
	Rubber	0.230						
3P+E	Plastic	0.185	141	105	33.5	105	60	8 to 15
	Metal	0.455						
	Rubber	0.290						
3P+N+E	Plastic	0.220	150	114	37.5	114	66	10 to 18
	Metal	0.585						
	Rubber	0.330						
LV 32 A								
2P+E	Plastic	0.275	161	116	39.5	116	70.5	10 to 18
	Metal	0.745						
	Rubber	0.390						
3P+E	Plastic	0.275	161	116	39.5	116	70.5	12 to 22
	Metal	0.745						
	Rubber	0.390						
3P+N+E	Plastic	0.320	167	122	44.5	122	77	12 to 22
	Metal	0.790						
	Rubber	0.435						

Angled plugs IP 66/67-55

LV 16-32 A - plastic (p. 153 - 154)



	Weight (kg)	Dimensions (mm)				Ø clamping and grip
		A	B	C	D	
16 A						
2P+E	0.165	136	72.5	29.5	100	8 to 15
3P+E	0.195	141	81	33.5	105	8 to 15
3P+N+E	0.220	150	86.5	37.5	114	10 to 18
32 A						
2P+E	0.280	161	94.5	39.5	116	10 to 18
3P+E	0.280	161	94.5	39.5	116	12 to 22
3P+N+E	0.325	167	101	44.5	122	12 to 22

Hypra[®] IP 44, IP 66/67-55 mobile sockets

■ Characteristics

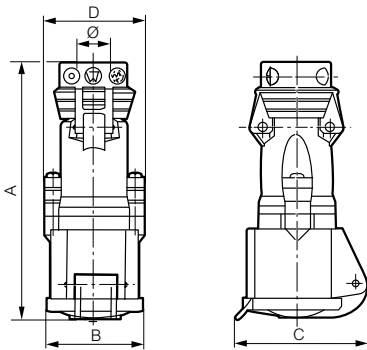
External screws in stainless steel - Nickel-plated contacts
Icc 10 kA according to IEC 60309-1

■ Dimensions

Mobile sockets IP 44 - LV 16 - 32 A (p. 153 - 154)

Terminal connections:

- LV 16 A: 1 x 2.5 mm² max. flexible
- LV 32 A: 1 x 6 mm² max. flexible



	Material	Weight (kg)	Dimensions (mm)				Ø clamping and grip
			A	B	C	D	
LV 16 A							
2P+E	Plastic	0.170	147	54.5	74	55	8 to 15
	Rubber	0.250	147	58	74	61	8 to 15
3P+E	Plastic	0.200	151	61.5	81	60	8 to 15
	Rubber	0.285	151	65	81	66	8 to 15
3P+N+E	Plastic	0.245	172	69.5	90	66	10 to 18
	Rubber	0.335	172	72.5	90	72	10 to 18
LV 32 A							
2P+E	Plastic	0.300	177	71	93	70.5	10 to 18
	Rubber	0.400	177	74.5	93	76.5	10 to 18
3P+E	Plastic	0.300	177	71	93	70.5	12 to 22
	Rubber	0.400	177	74.5	93	76.5	12 to 22
3P+N+E	Plastic	0.350	183	77.5	100	77	12 to 22
	Rubber	0.475	183	80.5	100	83	12 to 22

Mobile sockets IP 66/67-55 (p. 153 - 154)

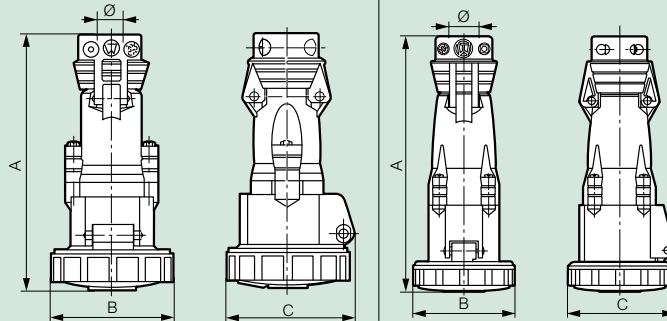
LV 16 - 32 A

Terminal connections:

- LV 16 A: 1 x 2.5 mm² max. flexible
- LV 32 A: 1 x 6 mm² max. flexible

LV 63 A

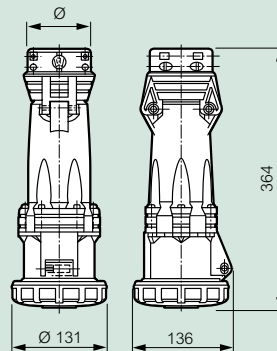
Terminal connection: 1 x 16 mm² max. flexible



	Material	Weight (kg)	Dimensions			Ø clamping and grip
			A	B	C	
LV 16 A						
2P+E	Plastic	0.180	150	72.5	75.5	8 to 15
3P+E	Plastic	0.215	154	81	86	8 to 15
3P+N+E	Plastic	0.275	169	86.5	89	10 to 18
LV 32 A						
2P+E	Plastic	0.320	179	94.5	99	10 to 18
3P+E	Plastic	0.320	179	94.5	99	12 to 22
3P+N+E	Plastic	0.375	185	101	105	12 to 22
LV 63 A						
2P+E	Plastic	0.780	278	113.5	119	16 to 26
3P+E	Plastic	0.850	278	113.5	119	18.5 to 29
3P+N+E	Plastic	0.910	278	113.5	119	20.5 to 32

LV 125 A (p. 153 - 154)

Terminal connection: 1 x 50 mm² max. flexible



	Weight (kg)	Ø clamping and grip
125 A		
3P+E	1.8	24 to 48
3P+N+E	2.0	28 to 48