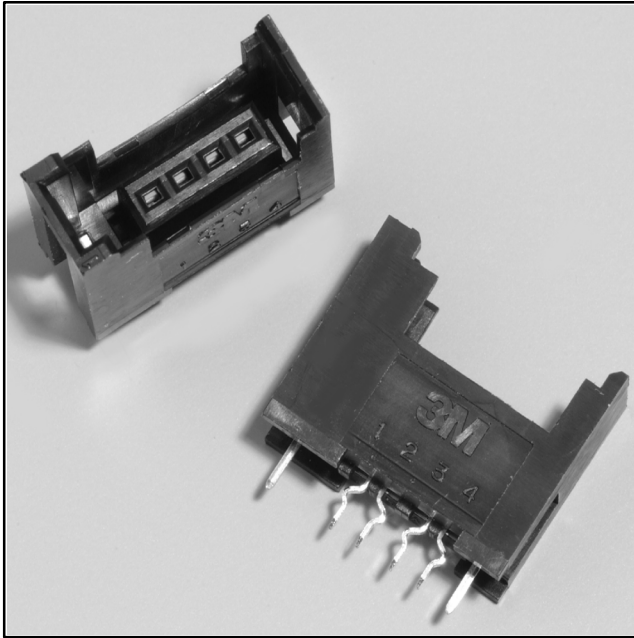


3M™ Mini-Clamp Socket

2 mm Boardmount, Straight Solder Tails

372 Series



- Provides even quality
- Ensures easy operation for system building
- Saves board space
- Reduces waste

Date Modified: April 12, 2004

TS-2093-01
Sheet 1 of 4

Physical

Insulation

Material: Nylon
Flammability: UL 94V-0
Color: Black

Contact

Material: Copper Alloy

Plating:

Underplating: 100 μ " (2.54 μ m) Nickel
Wiping Area: 8 μ " (0.2 μ m) minimum Gold with lubricant
Solder Tail: 78 μ " (2.0 μ m) 80/20 Tin-lead minimum

Electrical

Current Rating: 3.0 Amps

Voltage Rating: 32 Volts

Insulation Resistance: $>1 \times 10^6 \Omega$ at 600V dc

Withstanding Voltage: 1000 V rms at sea level

Environmental

Temperature Rating: -20°C to 85°C

UL File No.: E68080

3M
Interconnect Solutions
<http://www.3M.com/interconnects/>

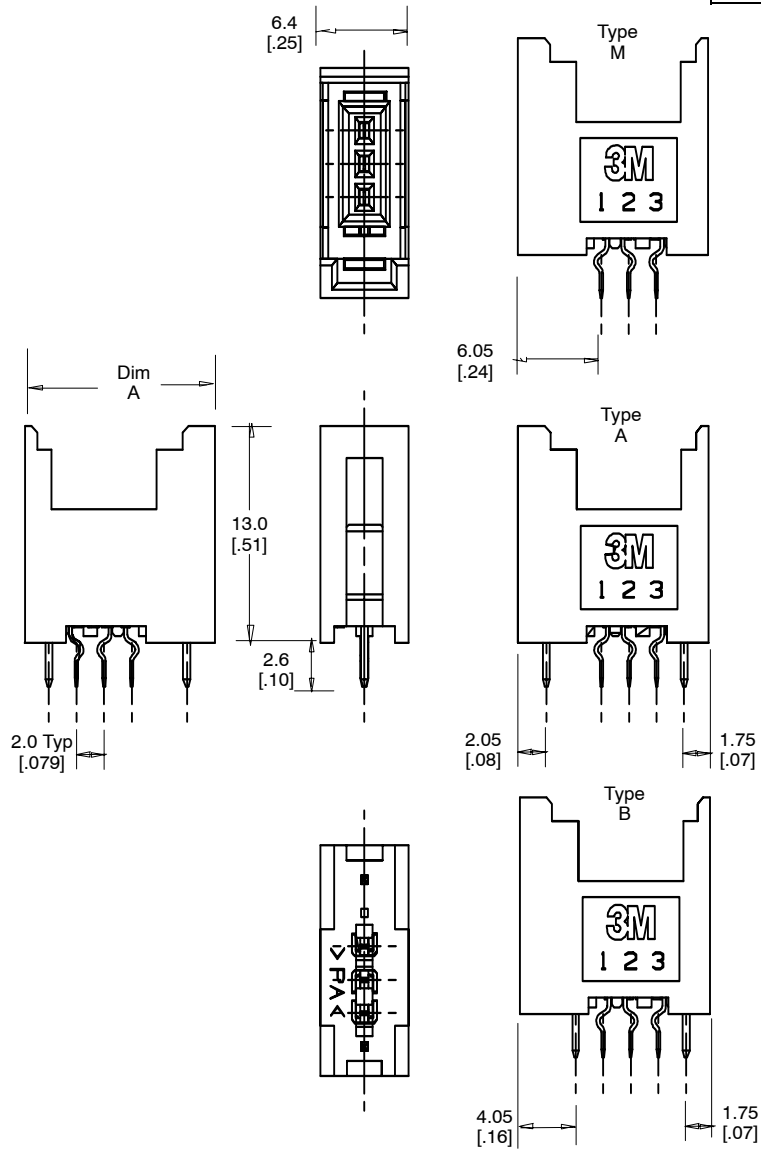
3M is a trademark of 3M Company.
For technical, sales or ordering information call
800-225-5373

3M™ Mini-Clamp Socket

2 mm Boardmount, Straight Solder Tails

372 Series

# Positions	Dim A
3	13.8 [.54]
4	15.8 [.62]



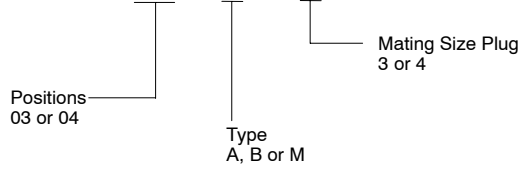
Single Row Style

m m		[inch]	
Tolerance Unless Noted			
	.0	.00	
m m	±.1	±.10	

[] Dimensions for Reference Only

Ordering Information

372XX-62X3-00X SC



TS-2093-01
Sheet 2 of 4

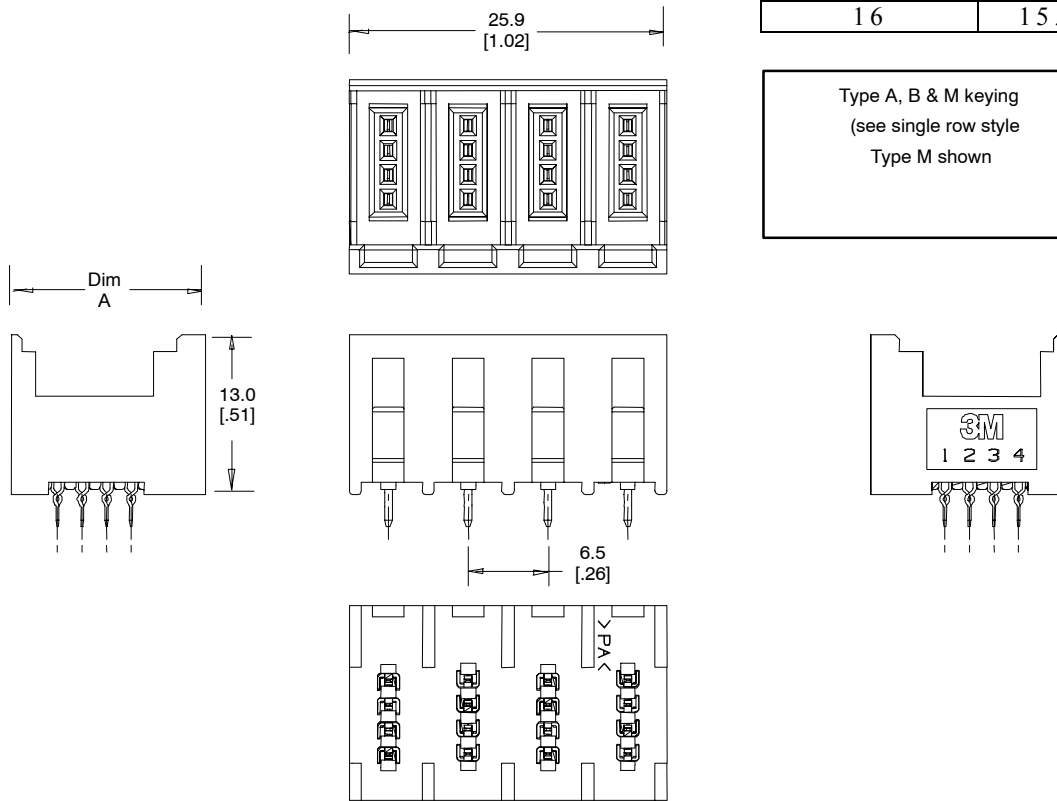
3M™ Mini-Clamp Socket

2 mm Boardmount, Straight Solder Tails

372 Series

# Positions	Dim A
12	13.8 [.54]
16	15.8 [.62]

Type A, B & M keying
(see single row style)
Type M shown



m m
[inch]

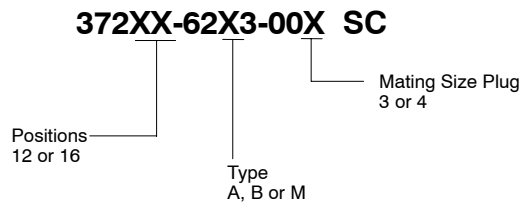
Tolerance Unless Noted		
	.0	.00
m m	±.1	±.10

[] Dimensions for Reference Only



4 Row Style

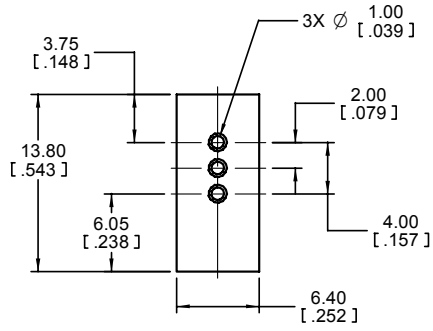
Ordering Information



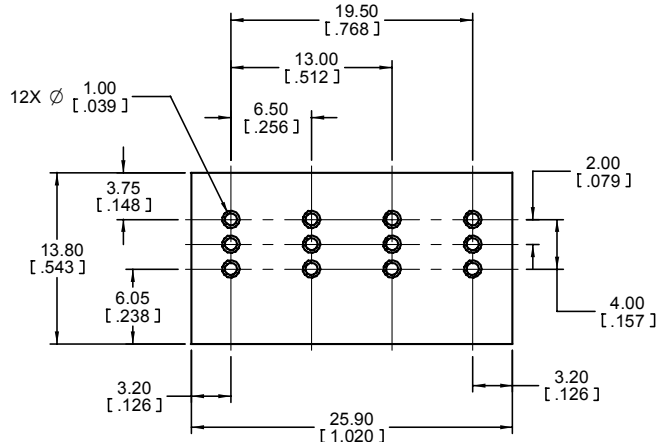
TS-2093-01
Sheet 3 of 4

Recommended PC Board Hole Patterns

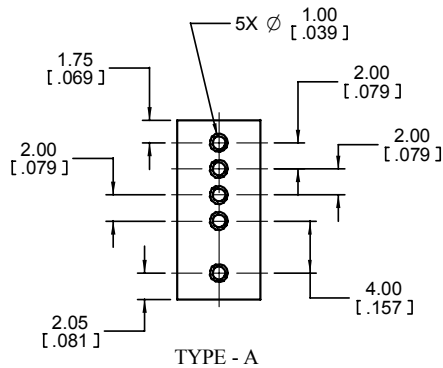
3 & 12 position shown



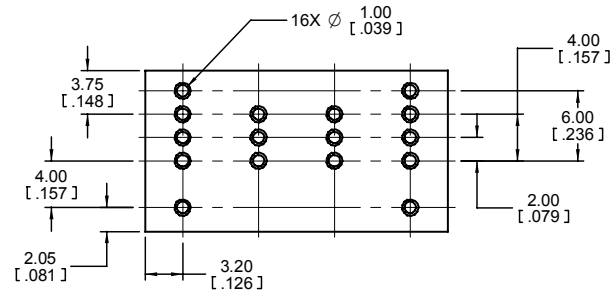
TYPE - M



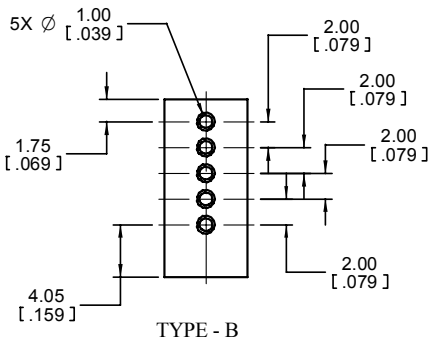
TYPE - M



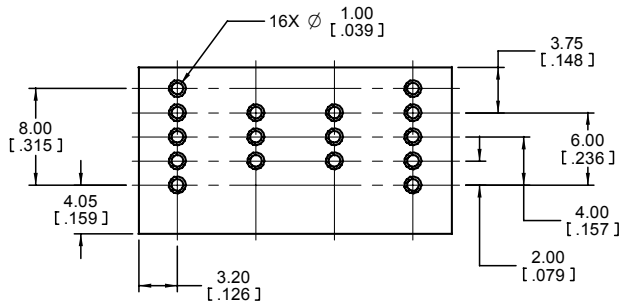
TYPE - A



TYPE - A



TYPE - B



TYPE - B

Single Row Style

4 Row Style

m m
[inch]

Tolerance Unless Noted		
	.0	.00
m m	±.1	±.10

[] Dimensions for Reference Only

TS-2093-01
Sheet 4 of 4

Important Notice

All statements, technical information, and recommendations related to 3M's products are based on information believed to be reliable, but the accuracy or completeness is not guaranteed. Before using this product, you must evaluate it and determine if it is suitable for your intended application. You assume all risks and liability associated with such use. Any statements related to the product which are not contained in 3M's current publications, or any contrary statements contained on your purchase order shall have no force or effect unless expressly agreed upon, in writing, by an authorized officer of 3M.



Electronic Solutions Division

6801 River Place Blvd.
Austin, TX 78726-9000
www.3M.com/esd

Warranty; Limited Remedy; Limited Liability.

This product will be free from defects in material and manufacture for a period of 90 days from the date of purchase. **3M MAKES NO OTHER WARRANTIES INCLUDING, BUT NOT LIMITED TO, ANY IMPLIED WARRANTY OF MERCHANTABILITY OR FITNESS FOR A PARTICULAR PURPOSE.** If this product is defective within the warranty period stated above, your exclusive remedy shall be, at 3M's option, to replace or repair the 3M product or refund the purchase price of the 3M product. **Except where prohibited by law, 3M will not be liable for any loss or damage arising from this 3M product, whether direct, indirect, special, incidental or consequential regardless of the legal theory asserted.**