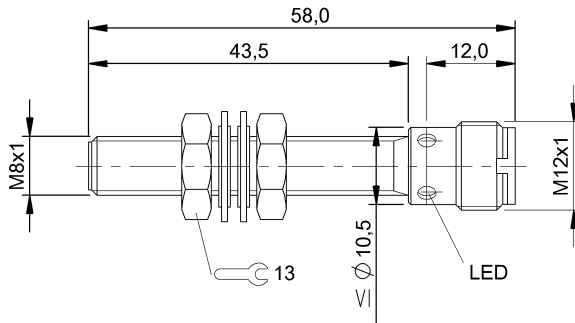


BES M08EH-PSC15B-S04G BES01PF



IND. CONT. EQ
8TU2
for use in the secondary of
a class 2 source of supply
Environmental - Type 1 Enclosure



Display/Operation

Function indicator	yes
Power indicator	no

Electrical connection

Connection	M12x1-Connector, 4-pole, A-coded
Polarity reversal protected	yes
Short-circuit protection	yes

Electrical data

Hysteresis H max. (% of Sr)	15.0 %
Load capacitance max. at Ue	0.5 µF
MTTF (40 °C)	830 a
No-load current to max., undamped	3 mA
Operating voltage U _b	10...30 VDC
Output resistance R _a	33.0 kOhm + D
Pollution degree	3
Protected against miswiring	yes
Rated insulation voltage U _i	250 V AC
Rated operating current I _e DC	200 mA
Rated operating voltage U _e DC	24 V
Rated short circuit current	100 A
Ready delay t _v max.	20 ms
Repeat accuracy max. (% of Sr)	5.0 %
Residual current I _r max.	20 µA
Switching frequency	3000 Hz
Utilization category	DC -13
Voltage drop static max.	2.5 V

Environmental conditions

Ambient temperature	-25...70 °C
---------------------	-------------

Protection class	II
Protection type IEC 60529	IP68

Functional safety

Diagnostic coverage	0 %
Functional safety	no
Mission Time	20 a

General data

Approval/Conformity	CE cULus EAC
Basic standard	IEC 60947-5-2

Material

Housing material	Stainless steel
Material sensing surface	PBT

Mechanical data

Dimension	Ø 8 x 58 mm
Installation	for flush mounting
Size	M8x1
Tightening torque	8 Nm

Output/Interface

Switching output	PNP Normally open (NO)
------------------	------------------------

Range/Distance

Assured operating distance S _a	1.2 mm
Range	1.5 mm

BES M08EH-PSC15B-S04G BES01PF

Rated operating distance S_n	1.5 mm
Ripple max. (% of U_e)	15 %
Temperature drift max. (% of S_r)	10 %

Remarks

The sensor is functional again after the overload has been eliminated.

For further information on MTTF/B10d, please refer to the MTTF / B10d Certificate.

Specification of the MTTF value and the B10d value do not represent any binding quality and/or life expectancy guarantees.

Connector view



Wiring Diagram

