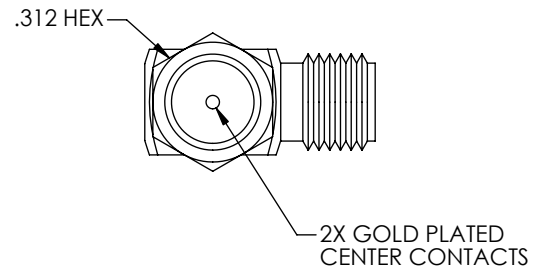
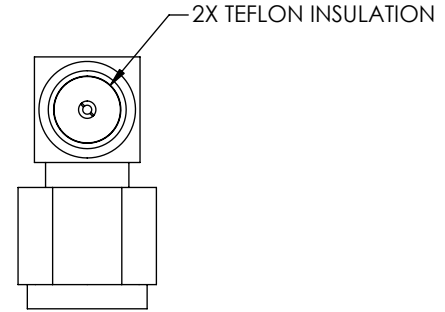
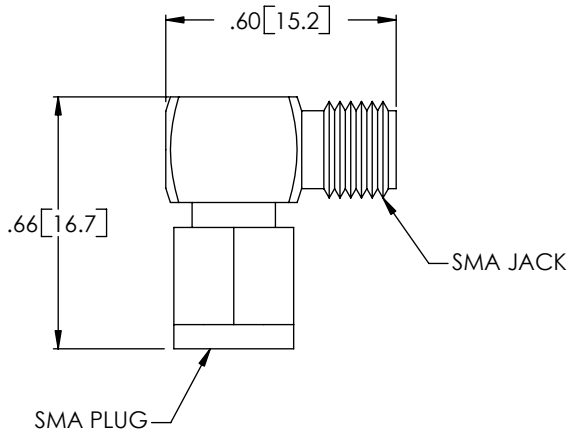


THE INFORMATION CONTAINED IN THIS DRAWING IS THE SOLE PROPERTY OF L-COM, INC. ANY REPRODUCTION IN PART OR WHOLE WITHOUT THE WRITTEN PERMISSION OF L-COM, INC. IS PROHIBITED.

REVISIONS			
REV	DESCRIPTION	DATE	CHANGED BY
A	RELEASED FOR PRODUCTION	06/06/01	MCCORMICK
B	REVISED TOLERANCES	11/12/04	MCCORMICK
C	ECN 2554: ADDED NOTE 2	9/7/2006	J. KIEZULAS
D	ECN 3124: UPDATE DWG FORMAT	12/19/07	D.GRIFFIN



NOTES:
 MATERIAL: NICKEL PLATED BRASS
 RECOMMENDED COUPLING NUT TORQUE 5 IN-LBS

RoHS Compliant ✓

L-com
 CONNECTIVITY PRODUCTS
 45 BEECHWOOD DRIVE
 NORTH ANDOVER, MA
 01845

UNLESS OTHERWISE SPECIFIED, DIMENSIONS ARE IN INCHES [mm] TOLERANCES TO BE: .X ±.1 [2.5] ANGLES ±2° .XX ±.01 [.25] .XXX ±.005 [.13] OVERALL CABLE LENGTH TOL: ≤ 60 [1524] +3 [76.2] / -0 > 60 [1524] +5% / -0%	APPROVALS	DATE	CATEGORY	
	DRAWN BY MCCORMICK	06/05/01	COAXIAL	
	CHECKED BY D.PARHAM	06/06/01	PRODUCT DESCRIPTION	
	APPROVED BY R.CARRICK	06/06/01	ADAPTOR RA SMA M/ SMA F	
PROJ	CONFIGURATION DETAILS OF UNDIMENSIONED FEATURES MAY VARY		SIZE A	FSCM NO. 43321
		DWG. NO. BA20		REV. D
SCALE: NONE			CAD FILE: BA20.SLDDRW	
			SHEET 1 OF 1	