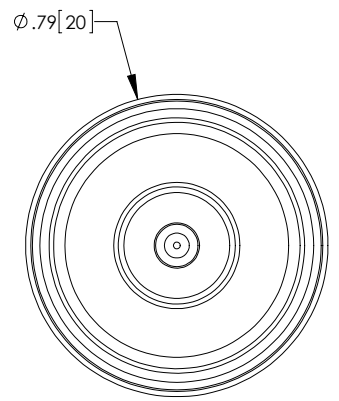
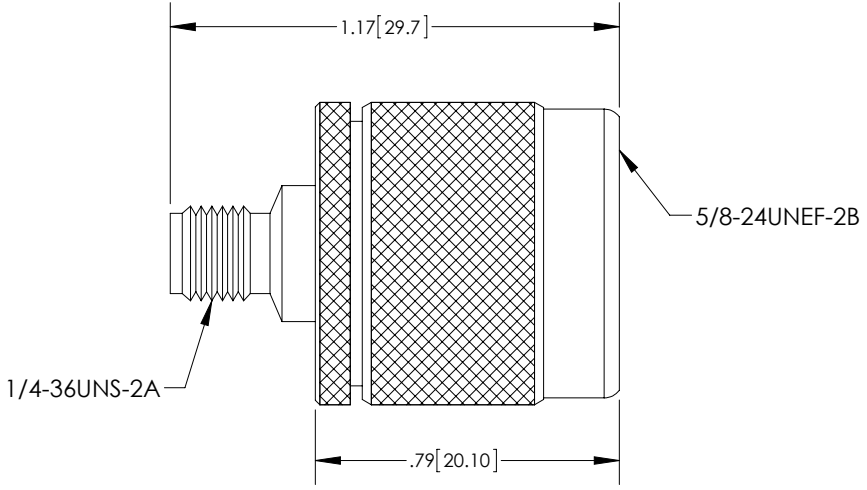
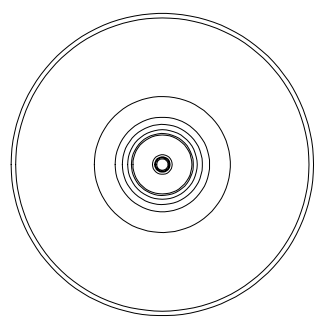
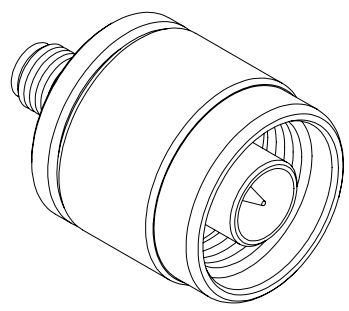


THE INFORMATION CONTAINED IN THIS DRAWING IS THE SOLE PROPERTY OF L-COM, INC. ANY REPRODUCTION IN PART OR WHOLE WITHOUT THE WRITTEN PERMISSION OF L-COM, INC. IS PROHIBITED.

REVISIONS			
REV	DESCRIPTION	DATE	APPROVED
A	INITIAL RELEASE	01/29/13	D.GRIFFIN
-	-	-	-
-	-	-	-

DESCRIPTION	MATERIAL	FINISH
BODY	BRASS	NICKEL
PIN	BRASS	GOLD
DIELECTRIC	PTFE	-
GASKET	RUBBER	-



**NOTES:**

**ELECTRICAL:**  
 IMPEDANCE: 50 OHMS  
 WITHSTAND VOLTAGE: 1000V  
 FREQUENCY RANGE: 0~6 GHz  
 VOLTAGE RATING: 500V PEAK  
 INSERTION LOSS: .15 dB MAX

**MISCELLANEOUS:**  
 COMPONENTS SHALL BE INDIVIDUALLY PACKAGED IN ACCORDANCE WITH L-COM SPECIFICATIONS PS-0031.

ALL DIMENSIONS ARE FOR REFERENCE ONLY.

**RoHS Compliant** ✓

UNLESS OTHERWISE SPECIFIED, DIMENSIONS ARE IN INCHES [mm]  DIMENSIONAL TOLERANCES: .X = ±.1 .XX = ±.01 .XXX = ±.005  ANGULAR TOLERANCES: ALL = ± 1°	APPROVALS	DATE		45 BEECHWOOD DRIVE NORTH ANDOVER, MA 01845
	DRAWN BY B.PUCHASKI	01/29/13		
PROJECTION 	CHECKED BY K.BURGNER	01/29/13	CATEGORY COAXIAL	
	APPROVED BY K.BURGNER	01/29/13	PRODUCT DESCRIPTION N MALE TO SMA FEMALE ADAPTER	
COLOR VARIATIONS MAY OCCUR	SIZE <b>A</b>	FSCM NO. <b>43321</b>	DWG. NO. AXA-NMSF	REV. <b>A</b>
SCALE: NONE		CAD FILE: AXA-NMSF.SLDDRW		SHEET 1 OF 1