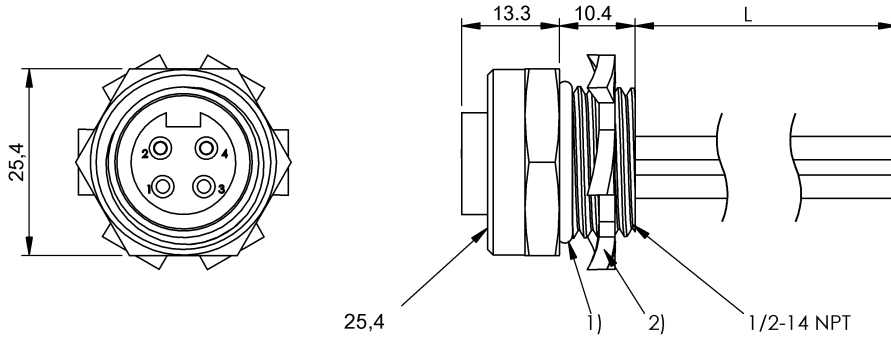


BCC A354-0000-10-RN010-020  
BCC0720



1) O-ring 2) Lockwasher



Protection type IEC 60529

IP67

## Display/Operation

Power indicator no

## Electrical connection

Cable PVC, 2.00 m  
Number of conductors 4  
Number of pins 4

## Electrical data

Rated current (40 °C) 10.0 A

## Environmental conditions

Cable temperature, fixed routing -40...105 °C

## General data

Application Panel connector  
Approval/Conformity cULus LISTED

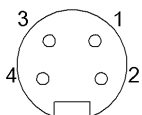
## Material

Material contact carrier PVC  
Material contacts Brass  
Material cover nut Aluminumanodized

## Mechanical data

Fastening detail 1/2" NPT  
Tightening torque pigtail 1.5 Nm

## Connector view



PIN 1: brown PIN 2: white PIN 3: blue PIN 4: black

BCC A354-0000-10-RN010-020  
BCC0720

## Wiring Diagram

