



# Submittal

## Table of Contents

SKU	Asset Type	Page
HBL7487	Specification Sheet	2

Midget Twist-Lock® Devices  
 15A, 125/250V AC, 3 Pole, 3 Wire  
 Non-Grounding  
 Flanged Receptacle

# HUBBELL



15A 125/250V  
 NEMA ML-3R



## Features

- Stainless Steel mounting flange
- High heat resistant phenolic base

## Ordering Information

Description	Terminals	UPC	Catalog Number
Stainless steel flanged receptacle.	Exposed	783585237466	HBL7487

## Listings

Listed to UL 498  
 Certified to CSA C22.2 No.42

## Specifications

Flange	Stainless Steel
Base	Phenolic
Contacts	Brass
Terminal Screws	#5-40 Brass

## Performance

### Electrical

Current Interrupting Certified for current interrupting at full rated current  
 Dielectric Voltage Withstands 2,000V minimum

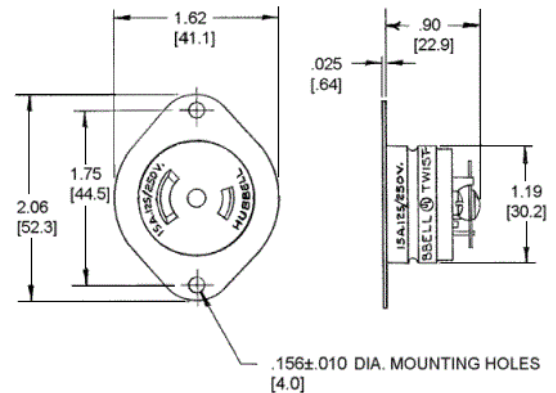
### Mechanical

Terminal Accommodation #18 AWG - #14 AWG solid or stranded copper wire only.

Terminal Identification Terminals identified in accordance with UL 498

### Environmental

Flammability HB or better per UL94/CSA 22.2 No.0.17  
 Moisture Resistance IP20 Suitability  
 Operating Temperatures Maximum Continuous 75°C; Minimum -40°C (w/o impact)



## Accessories

Valise® Plug	HBL7485V
Plug	HBL7485
Angled Plug	HBL7432

## Resources

Customer Use Drawing  
 eCatalog

Dimensions in Inches (mm)

Hubbell Wiring Device-Kellems • Hubbell Incorporated (Delaware) • 40 Waterview Drive • Shelton, CT 06484

Phone (800) 288-6000 • Fax (800) 255-1031 • Specifications subject to change without notice.

