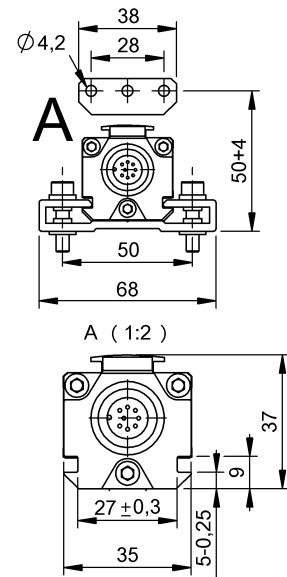
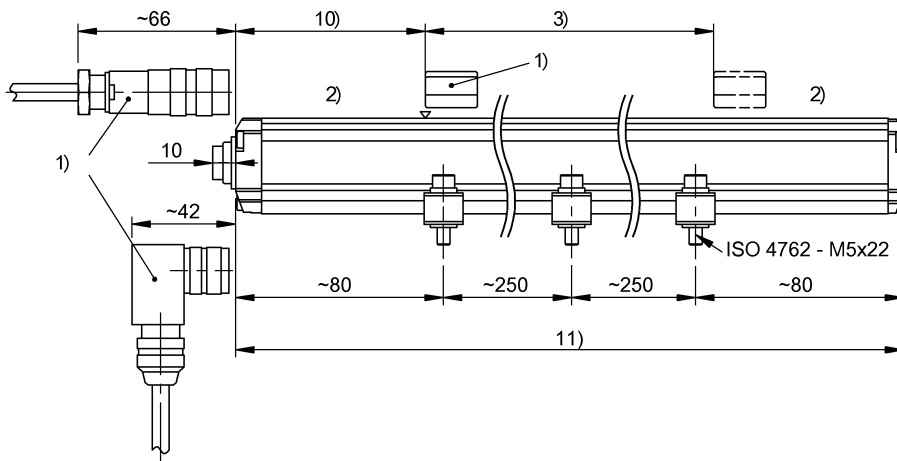


BTL5-A11-M0152-P-S32/US BTL02P7



1) not included in scope of delivery 2) Non-usable area 3) Nominal length = Measuring length 10) Null point 11) Installation length



Display/Operation

Error signal Ua falling	≤ -1 V
Error signal Ua rising	≥ 11 V

Electrical connection

Connection version	axial
Polarity reversal protected	yes

Electrical data

Current consumption max. at 24 V DC	150 mA
Galvanic isolation	no
Inrush current	≤ 3 A/0.5 ms
MTTF (40 °C)	93 a
Operating voltage Ub	20...28 VDC
Output current max.	5 mA
Output signal adjustable	no
Overvoltage protection	yes
Voltage-proof up to (GND to housing)	500 V DC

Environmental conditions

Ambient temperature	-40...85 °C
EN 55016-2-3, Radiation	Industrial areas
EN 60068-2-27, Continuous shock	100 g, 2 ms
EN 60068-2-27, Shock	100 g, 6 ms
EN 60068-2-6, Vibration	12 g, 10...2000 Hz
EN 61000-4-2, ESD	Severity Level 3
EN 61000-4-3, RFI	Severity Level 3
EN 61000-4-4, Burst	Severity Level 3
EN 61000-4-5, Surge	Severity Level 2
EN 61000-4-6, High-frequency fields	Severity Level 3

EN 61000-4-8, Magnetic fields

Protection type IEC 60529

Relative humidity

Storage temperature

Severity Level 4

IP67 with connector

≤ 90 %, non-condensing

-40...100 °C

Functional safety

Functional safety	no
-------------------	----

General data

Approval/Conformity	CE cULus
Magnets, number (factory setting)	1
Position encoders, number max.	1

Material

Cover material	Aluminum
Cover material, note	Die-cast, nickel plated
Housing material	Aluminum
Housing material, surface protection	anodized
Material cover	Aluminum, Die-cast, nickel plated

Mechanical data

Fastening detail	Mounting clamps
Installation length	298 mm
Null point	73.0 mm

Range/Distance

Measuring length	152 mm
Non-linearity max.	±100 µm

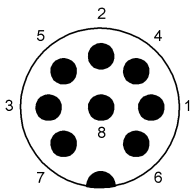
BTL5-A11-M0152-P-S32/US BTL02P7

Repeat accuracy	≤0.1 mV
Reproducibility	≤4 μm
Resolution	≤ 0.1 mV
Ripple Ua max.	5 mV
Sampling rate, length-dependent	1 kHz, standard

For further information on MTTF/B10d, please refer to the MTTF / B10d Certificate.

Specification of the MTTF value and the B10d value do not represent any binding quality and/or life expectancy guarantees.

Connector view



Wiring Diagram

Pin	
1	NC
2	GND output
3	10...0 V
4	NC
5	0...10 V
6	GND
7	+24 V DC
8	NC