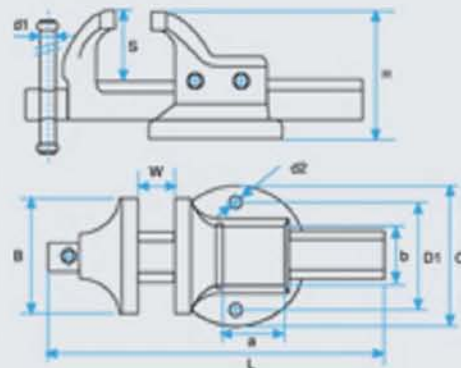




Parallel-Vice

All-steel, drop forged (CF 45 Steel).
Jaws induction hardened (52-58 HRC).



	RS Code		7719293	7719297
Jaw Width			125	150
Vice Height	B	mm	125	150
Jaw Depth	W	mm	160	190
Jaw Opening	L	mm	380	480
Length	axb	mm	50x70	65x80
Base Diameter	C	mm	150	180
Anvil Size	D1	mm	113	137
Screwhandle	d2	mm	13.5	16
Hole Distance	d1	mm	15	15
Hole Diameter	S	mm	75	100
Weight	H	mm	144	188
Clamps pipes from/to ^{★1}	kg		8.5	17
	Zoll	(inch)	1/4 -3"	1/4 -3"

Clamps from ^{★2}

Clamps to ^{★2}