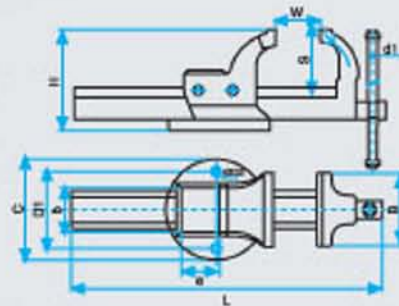


## Parallel Vice

All-steel, drop forged (CF45 Steel). Jaws and anvil induction hardened (HRC52-58). Adjustable jaw alignment system guarantees precision clamping. Sliding guides are protected against contamination.

Long time guarantee



	RS Code		7719284	7719287
Size			125	150
Jaw Width	B	mm	125	150
Jaw Opening max.	W	mm	160	190
Total Length	L	mm	380	480
Anvil Size	axb	mm	50x70	65x80
Base Diameter	C	mm	150	180
Hole Diameter	D1	mm	113	137
Hole Distance	d2	mm	13.5	16
Screw handle	d1	mm	15	15
Jaw Depth	S	mm	75	100
Vice height	H	mm	144	188
Weight	kg		9.3	18.5
Clamps pipes from/to*	Zoll	(inch)	1/4 -3"	1/4 -5"

\* If pipe jaws required (surcharge)