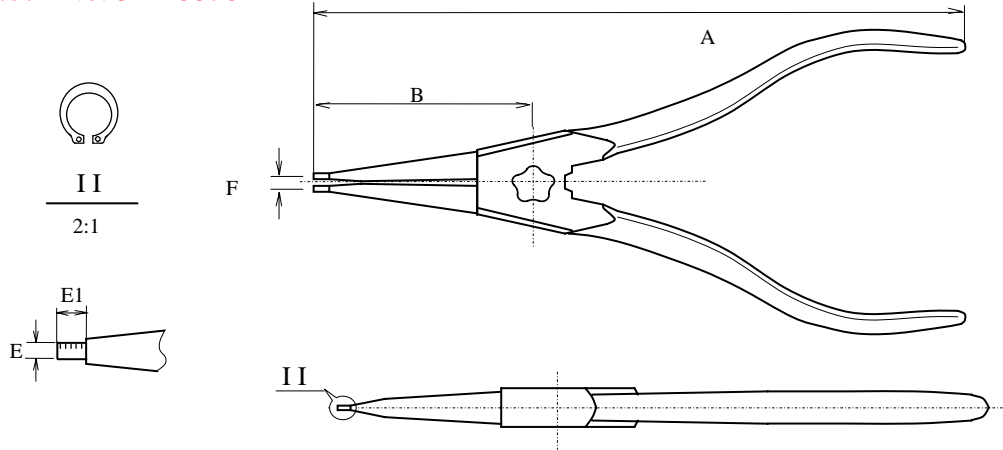


RS Stock No: 541-6876



Inspection item	Specification	Inspection tools
A mm	164±2.5	Kaliper
B mm	42.5+2	Kaliper
E mm	1.8±0.3	Kaliper
E1 mm	2.6±0.5	Kaliper
D max	(30.2)	Kaliper

MATERIAL: CHROME MOLYBDENUM STEEL FOR PLIERS, SPRING

STEEL FOR AUTOMATIC RETURN FUNCTION AND VINYL DIPPING HANDLES.

FINISH: CHEMICAL BLACK FINISH WITH POLISH MAIN SURFACE FOR PLIERS, RED COLOR HANDLE.

HARDNESS: HEAT TREATED TO HRC: 45~55 (CIRCLIP TIP), HRC: 44~48 (HANDLE) AND HRC: 30~48(JOINT)

CONTENTS:

1 PC – 7" (164 MM) EXTERNAL STRAIGHT TYPE, LARGE CYLINDRICAL TIP CIRCLIP PLIERS WITH AUTOMATIC RETURN SPRING AND RED COLOR VINYL DIPPING GRIP (DIAMETER OF TIP – 1.8MM, OVERALL LENGTH -164MM, JAW LENGTH – 42.5 MM, CIRCLIP SEAL RING CAPACITY – 19~60 MM)
PA0398 RS STOCK NO: 541-6876 (OLD STOCK NO: 185-2880)-A2

REMARKS:

1. DIMENSIONS, HANDLE SPIN, RETAINING TESTS, PERMANENT AND HUMIDITY MEET DIN- STANDARD. (FORM A TYPE)