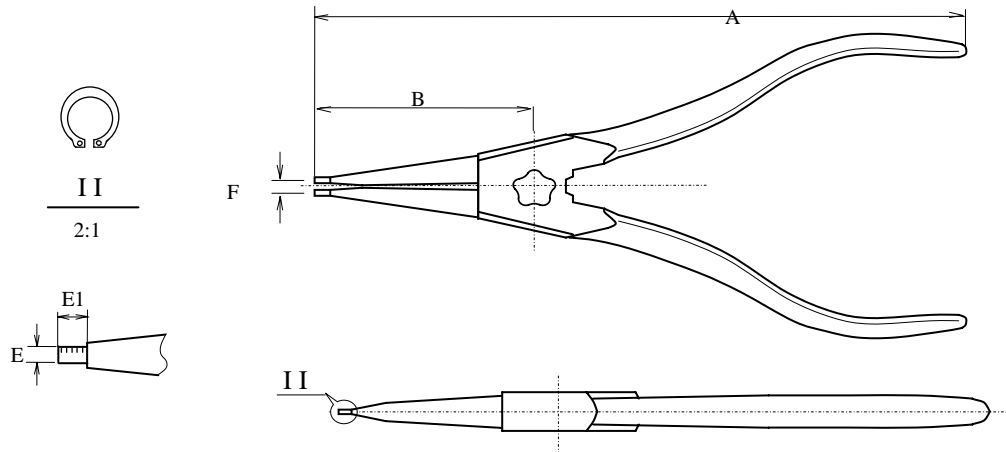


RS Stock No: 541-6860



Inspection item	Specification	Inspection tools
A mm	131±2	Kaliper
B mm	32+2	Kaliper
E mm	1.3±0.3	Kaliper
E1 mm	1.5±0.3	Kaliper
D max	(20.7)	Kaliper

MATERIAL: CHROME MOLYBDENUM STEEL FOR PLIERS, SPRING

STEEL FOR AUTOMATIC RETURN FUNCTION AND VINYL DIPPING HANDLES.

FINISH: CHEMICAL BLACK FINISH WITH POLISH MAIN SURFACE FOR PLIERS, RED COLOR HANDLE.

HARDNESS: HEAT TREATED TO HRC: 45~55 (CIRCLIP TIP),
HRC: 44~48 (HANDLE) AND HRC: 30~48(JOINT)

CONTENTS:

1 PC - 5" (133 MM) EXTERNAL STRAIGHT TYPE, LARGE CYLINDRICAL TIP
CIRCLIP PLIERS WITH AUTOMATIC RETURN SPRING AND RED COLOR VINYL
DIPPING GRIP (DIAMETER OF TIP – 1.3MM, OVERALL LENGTH -133MM, JAW
LENGTH – 45 MM, CIRCLIP SEAL RING CAPACITY – 8~25 MM)
PA0397 RS STOCK NO: 541-6860 (OLD STOCK NO: 185-2874)-A1

REMARKS:

1. DIMENSIONS, HANDLE SPIN, RETAINING TESTS, PERMANENT AND HUMIDITY MEET
DIN- STANDARD. (FORM A TYPE)