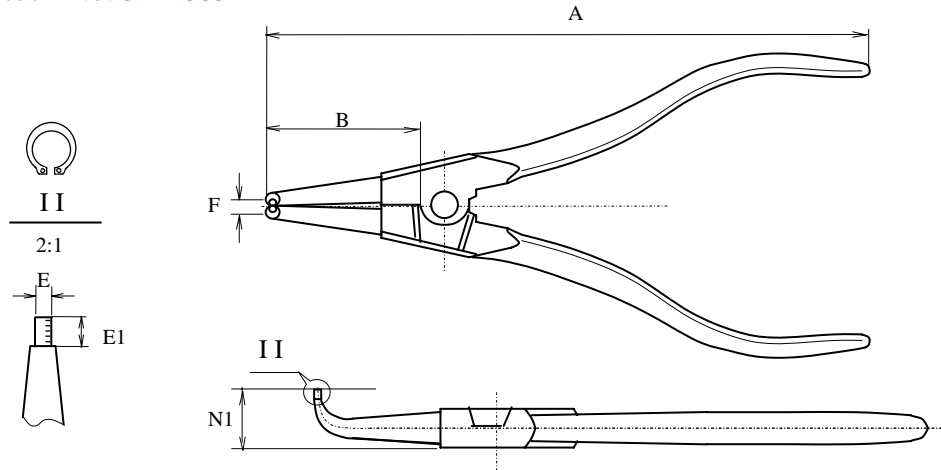


RS Stock No: 541-6854



Inspection item	Specification	Inspection tools
A mm	153±2.5	Kaliper
B mm	31.5+2	Kaliper
E mm	1.8±0.3	Kaliper
E1 mm	2.6±0.5	Kaliper
D max	(23)	Kaliper
N1 mm	(20)	Kaliper

MATERIAL: CHROME MOLYBDENUM STEEL FOR PLIERS, SPRING
STEEL FOR AUTOMATIC RETURN FUNCTION AND VINYL DIPPING
HANDLES.

FINISH: CHEMICAL BLACK FINISH WITH POLISH MAIN SURFACE FOR PLIERS,
RED COLOR HANDLE.

HARDNESS: HEAT TREATED TO HRC: 45~55 (CIRCLIP TIP),
HRC: 44~48 (HANDLE) AND HRC: 30~48(JOINT)

CONTENTS:

1 PC – 7" (153 MM) EXTERNAL 90 BENT TYPE, CYLINDRICAL TIP
CIRCLIP PLIERS WITH AUTOMATIC RETURN SPRING AND RED COLOR VINYL
DIPPING GRIP (DIAMETER OF TIP – 1.8MM, OVERALL LENGTH -153MM, JAW
LENGTH – 31 MM, CIRCLIP SEAL RING CAPACITY – 19~60 MM)
PA0341 RS STOCK NO: 541-6854 (OLD STOCK NO: 185-2846)-A21

REMARKS:

1. DIMENSIONS, HANDLE SPIN, RETAINING TESTS, PERMANENT AND HUMIDITY MEET
DIN- STANDARD. (FORM A TYPE)