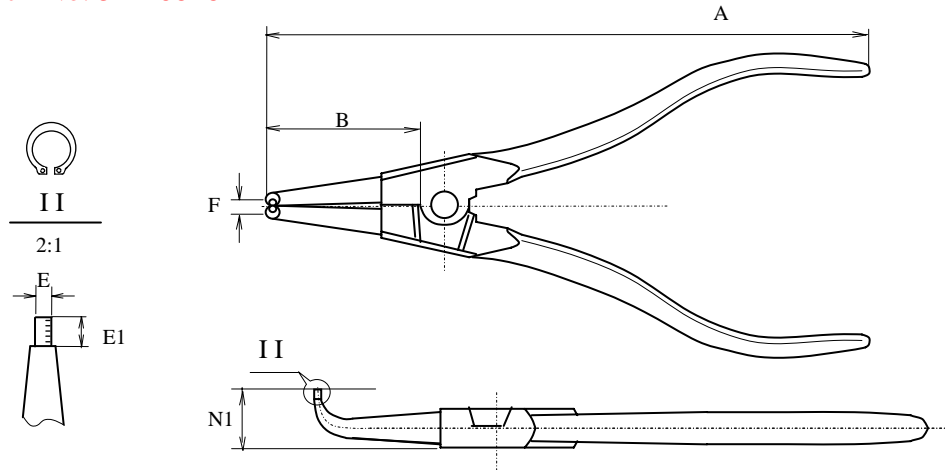


RS Stock No: 541-6848



| Inspection item | Specification | Inspection tools |
|-----------------|---------------|------------------|
| A mm            | 126±2         | Kaliper          |
| B mm            | 25+2          | Kaliper          |
| E mm            | 1.3±0.3       | Kaliper          |
| E1 mm           | 1.5±0.3       | Kaliper          |
| D max           | (17.1)        | Kaliper          |
| N1 mm           | 14±2          | Kaliper          |

MATERIAL: CHROME MOLYBDENUM STEEL FOR PLIERS, SPRING  
STEEL FOR AUTOMATIC RETURN FUNCTION AND VINYL DIPPING  
HANDLES.

FINISH: CHEMICAL BLACK FINISH WITH POLISH MAIN SURFACE FOR PLIERS,  
RED COLOR HANDLE.

HARDNESS: HEAT TREATED TO HRC: 45~55 (CIRCLIP TIP),  
HRC: 44~48 (HANDLE) AND HRC: 30~48(JOINT)

CONTENTS:

1 PC - 5" (125 MM) EXTERNAL 90 BENT TYPE, LARGE CYLINDRICAL TIP  
CIRCLIP PLIERS WITH AUTOMATIC RETURN SPRING AND RED COLOR VINYL  
DIPPING GRIP (DIAMETER OF TIP – 1.3MM, OVERALL LENGTH -125MM, JAW  
LENGTH – 38 MM, CIRCLIP SEAL RING CAPACITY – 8~25 MM)  
PA0400 RS STOCK NO: 541-6848 (OLD STOCK NO: 185-2830)-A11

REMARKS:

1. DIMENSIONS, HANDLE SPIN, RETAINING TESTS, PERMANENT AND HUMIDITY MEET  
DIN- STANDARD. (FORM A TYPE)