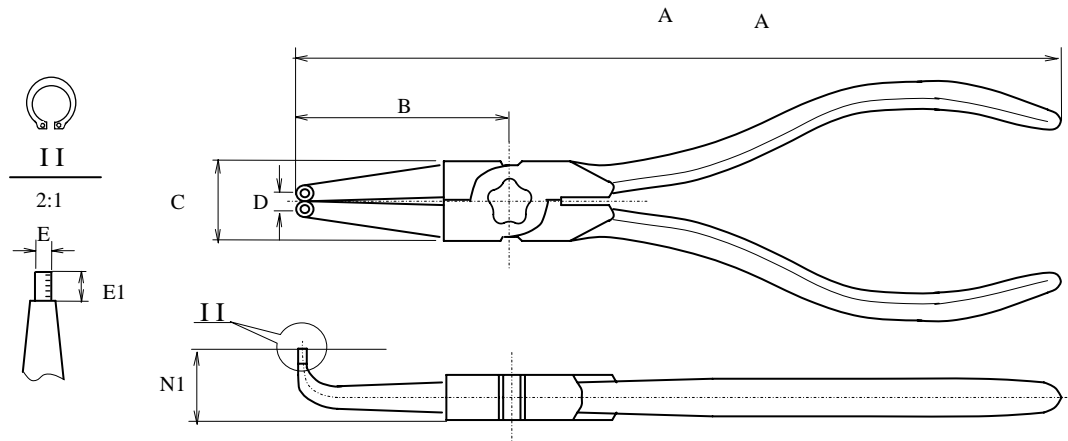


RS Stock No: 541-6797



Inspection item	Specification	Inspection tools
A mm	126±2	Kaliper
B mm	23+2	Kaliper
C mm	15-1	Kaliper
E mm	1.3±0.3	Kaliper
E1 mm	1.5±0.3	Kaliper
D max	(20.7)	Kaliper
N1 mm	14±2	Kaliper

MATERIAL: CHROME MOLYBDENUM STEEL FOR PLIERS, SPRING
STEEL FOR AUTOMATIC RETURN FUNCTION AND VINYL DIPPING
HANDLES.

FINISH: CHEMICAL BLACK FINISH WITH POLISH MAIN SURFACE FOR PLIERS,
RED COLOR HANDLE.

HARDNESS: HEAT TREATED TO HRC: 45~55 (CIRCLIP TIP),
HRC: 44~48 (HANDLE) AND HRC: 30~48(JOINT)

CONTENTS:

1 PC - 5" (127 MM) INTERNAL 90 BENT TYPE, LARGE CYLINDRICAL TIP
CIRCLIP PLIERS WITH AUTOMATIC RETURN SPRING AND RED COLOR VINYL
DIPPING GRIP (DIAMETER OF TIP – 1.3MM, OVERALL LENGTH -127MM, JAW
LENGTH – 25 MM, CIRCLIP SEAL RING CAPACITY – 8~25 MM)
PA0394 RS STOCK NO: 541-6797 (OLD STOCK NO: 185-2789)-J11

REMARKS:

1. DIMENSIONS, HANDLE SPIN, RETAINING TESTS, PERMANENT AND HUMIDITY MEET
DIN- STANDARD. (FORM A TYPE)