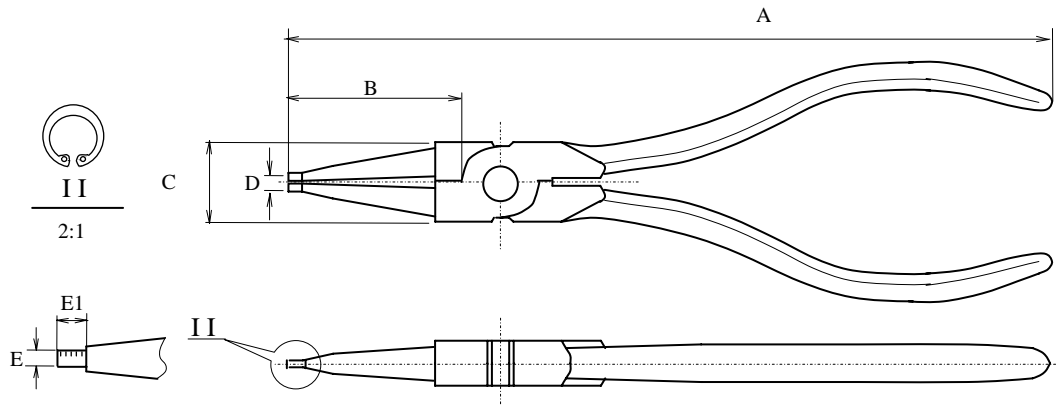


RS Stock No: 541-6769



Inspection item	Specification	Inspection tools
A mm	133±2	Kaliper
B mm	31±2	Kaliper
C mm	15-1	Kaliper
E mm	1.3±0.3	Kaliper
E1 mm	1.5±0.3	Kaliper
D max	(20.7)	Kaliper

MATERIAL: CHROME MOLYBDENUM STEEL FOR PLIERS, SPRING

STEEL FOR AUTOMATIC RETURN FUNCTION AND VINYL DIPPING HANDLES.

FINISH: CHEMICAL BLACK FINISH WITH POLISH MAIN SURFACE FOR PLIERS, RED COLOR HANDLE.

HARDNESS: HEAT TREATED TO HRC: 45~55 (CIRCLIP TIP),  
HRC: 44~48 (HANDLE) AND HRC: 30~48(JOINT)

CONTENTS:

1 PC - 5" (135 MM) INTERNAL STRAIGHT TYPE, LARGE CYLINDRICAL TIP  
CIRCLIP PLIERS WITH AUTOMATIC RETURN SPRING AND RED COLOR VINYL  
DIPPING GRIP (DIAMETER OF TIP – 1.3MM, OVERALL LENGTH -135MM, JAW  
LENGTH – 31 MM, CIRCLIP SEAL RING CAPACITY – 8~25 MM)  
PA0391 RS STOCK NO: 541-6769 (OLD STOCK NO: 185-2751)-J1

REMARKS:

1. DIMENSIONS, HANDLE SPIN, RETAINING TESTS, PERMANENT AND HUMIDITY MEET  
DIN- STANDARD. (FORM A TYPE)