

## Professionally approved products. Datasheet

### I.C Extractor

RS Stock number 423-992



A general purpose time saving tool which allows easy extraction of IC and DIL packages from PCBs. The tool incorporates specially designed teeth to retain the IC after extraction.

#### MATERIAL

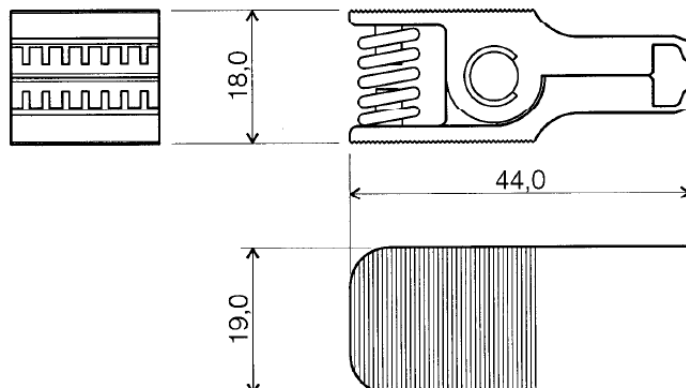
BODY : Acetal (Hostaform 'C') C27021R, yellow

SPRING : Spring Steel, bright nickel plate

CIRCLIP : Steel, nickel plate

PIN : Acetal (Hostaform 'C') C27021R, yellow

#### Dimensions:



DIMENSIONS IN MILLIMETERS