

## D-SUB bus connector - SUBCON-PLUS-F/AX 9 - 2311797

Please be informed that the data shown in this PDF Document is generated from our Online Catalog. Please find the complete data in the user's documentation. Our General Terms of Use for Downloads are valid (<http://phoenixcontact.com/download>)



D-SUB connector, 9-pos. female connector, axial version with two cable entries, universal type for all systems, pin assignment: 1, 2, 3, 4, 5, 6, 7, 8, 9 to screw connection terminal block

### Product Features

- Easy assembly thanks to knurled screws
- High level of EMC
- Assembly under field conditions
- For universal use
- 



**RS-485** **Modbus** **RS-232** **RS-422**

### Key commercial data

Packing unit	1 pc
Weight per Piece (excluding packing)	40.0 GRM
Custom tariff number	85366990
Country of origin	Germany

### Technical data

#### Dimensions

Max. cable diameter	8.4 mm
Min. cable diameter	7.6 mm
Width	17 mm
Height	31.5 mm
Length	58.2 mm

#### Ambient conditions

Ambient temperature (operation)	-20 °C ... 75 °C
Ambient temperature (storage/transport)	-25 °C ... 80 °C
Altitude	5000 m (For restrictions see manufacturer's declaration)

## D-SUB bus connector - SUBCON-PLUS-F/AX 9 - 2311797

### Technical data

#### General

Nominal voltage $U_N$	50 V
Nominal current $I_N$	100 mA
Bus system	Universal type for all systems
Signal	RS-232
	RS-422
	RS-485
Insertion/withdrawal cycles	> 200
SUBCON fixing screws	4-40 UNC
Tightening torque	0.4 Nm
Housing material	ABS, metal-plated
Pin assignment	1, 2, 3, 4, 5, 6, 7, 8, 9
MTTF	6706 Years (SN 29500 standard, temperature 25°C, operating cycle 21 % (5 days a week, 8 hours a day))
	1817 Years (SN 29500 standard, temperature 40 °C, operating cycle 34.25 % (5 days a week, 12 hours a day))
	155 Years (SN 29500 standard, temperature 40°C, operating cycle 100 % (7 days a week, 24 hours a day))

#### Connection data

Connection	D-SUB connection
Number of positions	9
Connection method	D-SUB socket
Torque	0.4 Nm
Connection	PCB connection
Connection method	Screw connection
Conductor cross section flexible min.	0.14 mm <sup>2</sup>
Conductor cross section flexible max.	0.5 mm <sup>2</sup>
Conductor cross section solid min.	0.14 mm <sup>2</sup>
Conductor cross section solid max.	0.5 mm <sup>2</sup>
Min. AWG conductor cross section, flexible	26
Max. AWG conductor cross section, flexible	20
Conductor cross section AWG min.	26
Conductor cross section AWG max.	20
Stripping length	4.5 mm
Torque	0.4 Nm

## D-SUB bus connector - SUBCON-PLUS-F/AX 9 - 2311797

### Classifications

#### eCl@ss

eCl@ss 4.0	27140816
eCl@ss 4.1	27140816
eCl@ss 5.0	27143424
eCl@ss 5.1	27143424
eCl@ss 6.0	27143424
eCl@ss 7.0	27440209
eCl@ss 8.0	27440302

#### ETIM

ETIM 2.0	EC001132
ETIM 3.0	EC001132
ETIM 4.0	EC001132
ETIM 5.0	EC001132

#### UNSPSC

UNSPSC 6.01	30211802
UNSPSC 7.0901	39121402
UNSPSC 11	39121402
UNSPSC 12.01	39121402
UNSPSC 13.2	39121402

### Approvals

#### Approvals

---

#### Approvals

UL Recognized / cUL Recognized / EAC / cULus Recognized

---

#### Ex Approvals

---

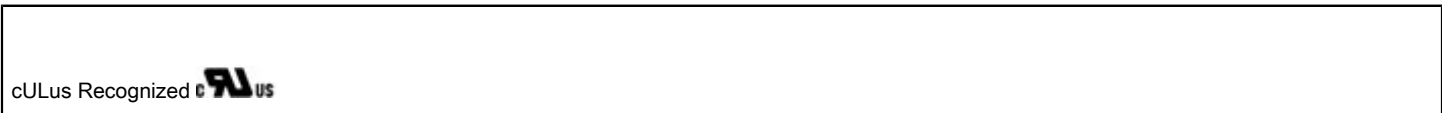
#### Approvals submitted

---

#### Approval details

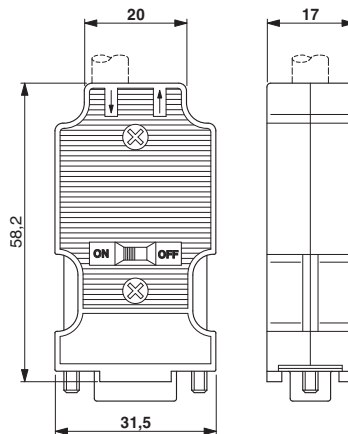
# D-SUB bus connector - SUBCON-PLUS-F/AX 9 - 2311797

## Approvals



## Drawings

Dimensional drawing



Dimensional drawing SUBCON-PLUS-.../AX...