

Dual Speed Controller with One-touch Fittings Series ASD

Enables bi-directional flow control.
Unrestricted 360° tube mounting direction.



Model

Model	Port size	Applicable tube O.D.													
		Metric					Inch								
		ø4	ø6	ø8	ø10	ø12	ø1/8"	ø5/32"	ø3/16"	ø1/4"	ø5/16"	ø3/8"			
ASD230F-M5	M5	●	●												
ASD330F-01	R(PT)1/8		●	●											
ASD430F-02	R(PT)1/4		●	●	●										
ASD530F-02	R(PT)1/4		●	●	●	●									
ASD530F-03	R(PT)3/8		●	●	●	●									
ASD630F-04	R(PT)1/2				●	●									
ASD230F-U10/32	10-32 UNF					●	●	●							
ASD330F-N01	NPT1/8								●	●	●				
ASD430F-N02	NPT1/4									●	●	●			
ASD530F-N02	NPT1/4									●	●	●			
ASD530F-N03	NPT3/8									●	●	●			
ASD630F-N04	NPT1/2											●			

Specifications

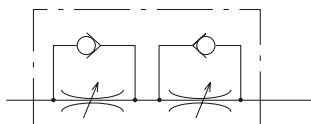
Proof pressure	1.5MPa
Max. operating pressure	1MPa
Min. operating pressure	0.1MPa
Ambient and fluid temperature	-5 to 60°C (No freezing)
Needle rotation cycles	10 turns (8 turns ⁽¹⁾)
Tube material ⁽²⁾	Nylon, Soft nylon, Polyurethane
Option	Hexagon lock nut



Note 1) In case of ASD230F.

Note 2) Be careful with the max operating pressure for soft nylon and Polyurethane.
(Refer to p. 2.4-2 and 2.4-3 in the catalog "Best Pneumatics 4".)

JIS symbol



Symbol indication of flow direction on the body

	Meter-out	Meter-in
Symbol		
JIS Symbol		

Air Flow/Effective Area

Model	ASD230F	ASD330F	ASD430F		ASD530F			ASD630F		
	Metric	ø4, ø6	ø6, ø8	ø6	ø8, ø10	ø6	ø8	ø10, ø12	ø10	ø12
Tube O.D.	Inch	ø1/8" ø5/32"	ø3/16" ø1/4"	-	ø1/4" ø5/16" ø3/8"	ø1/4"	ø5/16"	ø3/8"	-	ø3/8"
	Controlled (free)/Flow	Air flow (l/min(ANR))	75	175	295	350	500	600	700	1200
	Eff. area (mm ²)	1.1	2.7	4.5	5.3	7.6	9.1	10.7	18.3	19.8



Note 1) Max. operating pressure: 0.5MPa, Temperature: 20°C

Dual Speed Controller with One-touch Fittings Series ASD

How to Order

ASD 3 30F — 01 — 06 S K

Body size

2	M5 standard
3	1/8 standard
4	1/4 standard
5	3/8 standard
6	1/2 standard

Style

3	Universal
---	-----------

With One-touch fittings

Thread

—	Meter thread (M5)
—	Unified thread (10-32 UNF)
—	R(PT)
N	NPT

Options

—	None
K	Hexagon lock nut

With sealant

Applicable tubing O.D.

Millimeter

04	ø4
06	ø6
08	ø8
10	ø10
12	ø12

Inch

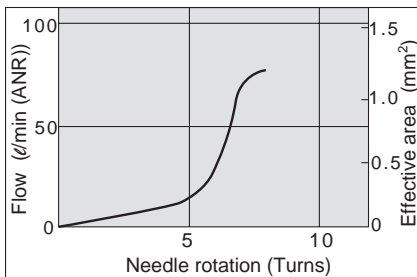
01	ø1/8"
03	ø5/32"
05	ø3/16"
07	ø1/4"
09	ø5/16"
11	ø3/8"

Port size

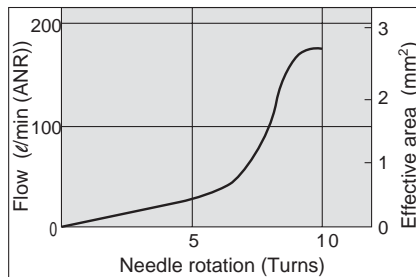
M5	M5
U10/32	10-32UNF
01	1/8
02	1/4
03	3/8
04	1/2

Needle Valve/Flow Characteristics

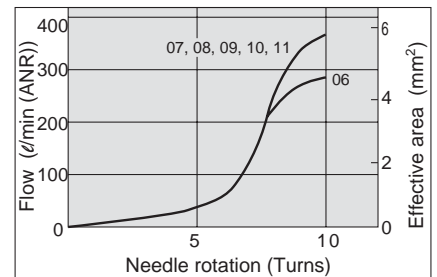
ASD230F



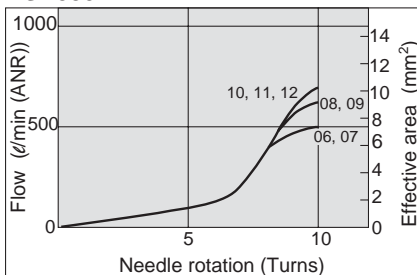
ASD330F



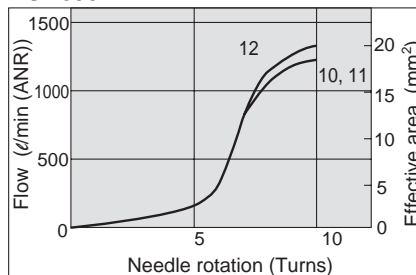
ASD430F



ASD530F



ASD630F

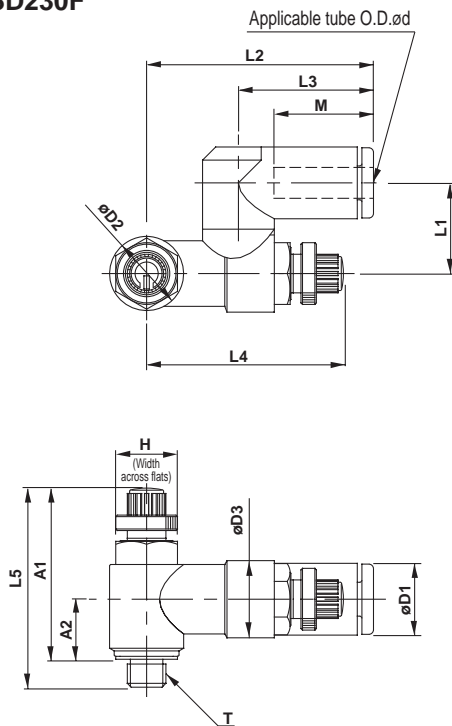


- AS
- ASN
- AQ
- ASV
- AK
- ASS

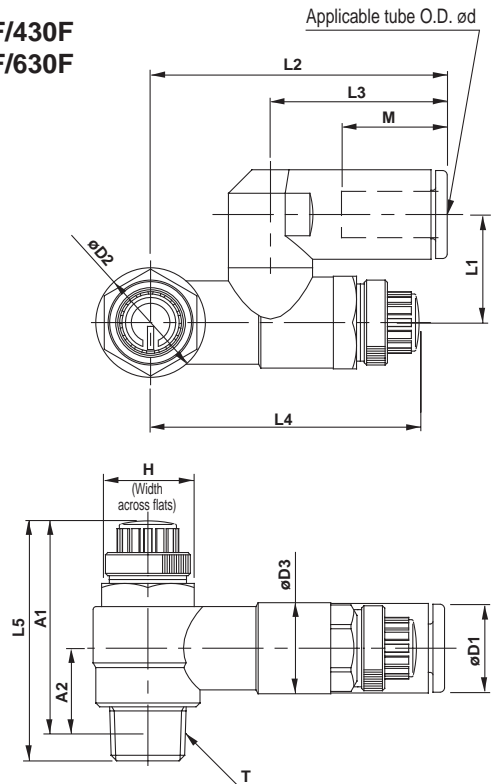
Series ASD

Dimensions/Metric

ASD230F



ASD330F/430F
ASD530F/630F



Metric

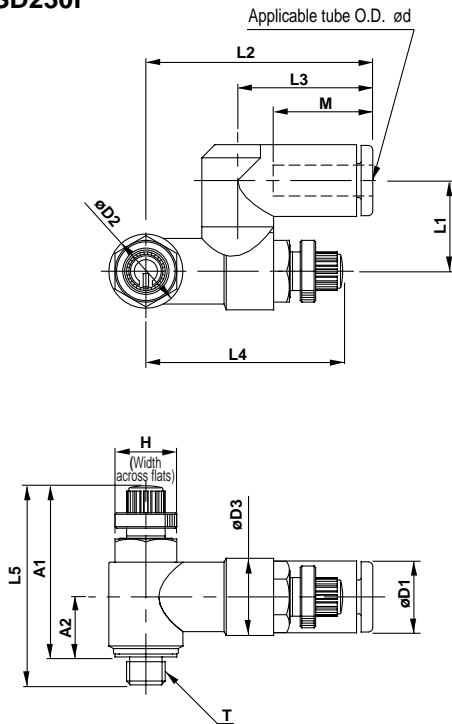
Model	d	T	H	D1	D2	D3	L1	L2	L3	L4		L5		A1*		A2*	M	Weight (g)
										MAX.	MIN.	MAX.	MIN.	MAX.	MIN.			
ASD230F-M5-04	4	M5	8	9.3	9.6	10	11.7	29.4	17.5	28.3	25.5	28.6	25.8	25	22.2	7.8	12.9	12
ASD230F-M5-06	6			11.6				20.6	13.7								13	
ASD330F-01-06S	6	R(PT)1/8	12	11.6	14.2	11.8	14	38.5	22.9	39.6	34.6	36.1	31.1	32.1	27.1	10.6	13.7	29
ASD330F-01-08S	8			15.2				33.9	18.5								31	
ASD430F-02-06S	6	R(PT)1/4	17	12.8	18.5	15	18	43.5	25.2	41.7	36.7	40.4	35.4	34.4	29.4	11	17	53
ASD430F-02-08S	8			15.2				28.2	18.5								21	
ASD430F-02-10S	10			18.5				31	21								58	
ASD530F-02-06S	6	R(PT)1/4	19	12.8	23	19.8	20.3	48.3	25.2	46.9	41.9	48.8	43.8	42.8	37.8	15.4	17	74
ASD530F-02-08S	8			15.2				28.2	18.5								76	
ASD530F-02-10S	10			18.5				32.6	21								80	
ASD530F-02-12S	12			20.9				34.4	22								83	
ASD530F-03-06S	6	R(PT)3/8	19	12.8	23	19.8	20.3	48.3	25.2	46.9	41.9	46.5	41.5	40	35	14	17	74
ASD530F-03-08S	8			15.2				28.2	18.5								93	
ASD530F-03-10S	10			18.5				32.6	21								98	
ASD530F-03-12S	12			20.9				34.4	22								101	
ASD630F-04-10S	10	R(PT)1/2	24	18.5	28.6	26.5	25.9	64.3	32.6	64.8	57.3	57.6	50.1	49.6	42.1	18.6	21	177
ASD630F-04-12S	12			20.9				34.4	22								179	

*Reference dimensions of M5 X 0.8, R(PT) thread after being screwed in.

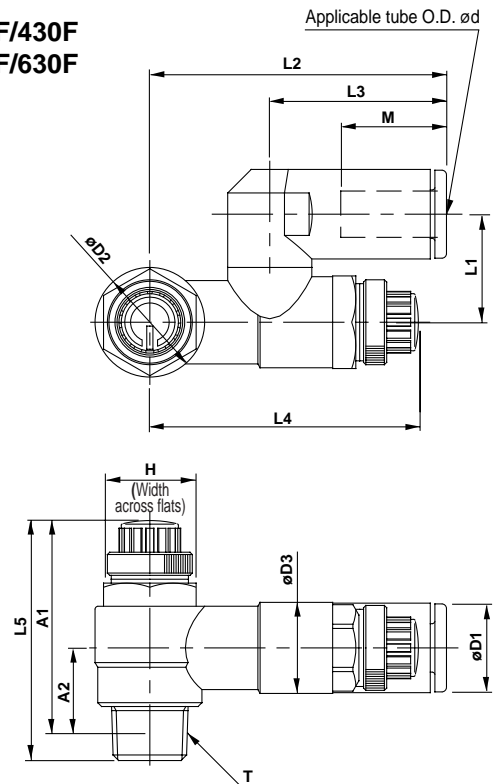
Dual Speed Controller with One-touch Fittings Series ASD

Dimensions/Inch

ASD230F



**ASD330F/430F
ASD530F/630F**



Inch

Model	d	T	H	D1	D2	D3	L1	L2	L3	L4		L5		A1*		A2*	M	Weight (g)
										MAX.	MIN.	MAX.	MIN.	MAX.	MIN.			
ASD230F-U10/32-01	1/8"	10-32 UNF	8	8.4	9.6	10	11.7	29.4	17.5	28.3	25.5	28.6	25.8	25	22.2	7.8	12.9	12
ASD230F-U10/32-03	5/32"		9.3	13														
ASD330F-N01-05S	3/16"	NPT1/8	12.7	11.6	14.2	11.8	14	39.5	23.9	39.6	34.6	36.1	31.1	32	27	10.6	16.5	30
ASD330F-N01-07S	1/4"			13.2														17
ASD330F-N01-09S	5/16"			15.2														18.5
ASD430F-N02-07S	1/4"	NPT1/4	17.5	13.2	18.5	15	18	43.9	25.6	41.7	36.7	40.4	35.4	34.6	29.6	11	17	55
ASD430F-N02-09S	5/16"			15.2														18.5
ASD430F-N02-11S	3/8"			18.5														19.7
ASD530F-N02-07S	1/4"	NPT1/4	19	13.2	23	19.8	20.3	48.7	25.6	46.9	41.9	48.8	43.8	43	38	15.4	17	76
ASD530F-N02-09S	5/16"			15.2														23.1
ASD530F-N02-11S	3/8"			18.5														23.1
ASD530F-N03-07S	1/4"	NPT3/8	19	13.2	23	19.8	20.3	48.7	25.6	46.9	41.9	46.5	41.5	40.3	35.3	14	17	93
ASD530F-N03-09S	5/16"			15.2														23.1
ASD530F-N03-11S	3/8"			18.5														23.1
ASD630F-N04-11S	3/8"	NPT1/2	23.8	18.5	28.6	26.5	25.9	64.3	32.6	64.8	57.3	57.6	50.1	49.6	42.1	18.6	21	180

*Reference dimensions of M5 X 0.8, R(PT) thread after being screwed in.

AS

ASN

AQ

ASV

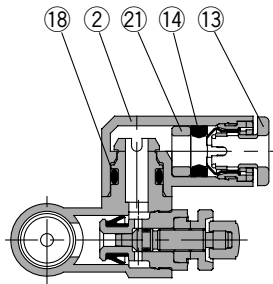
AK

ASS

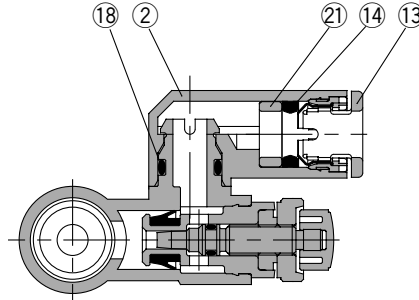
Series ASD

Construction

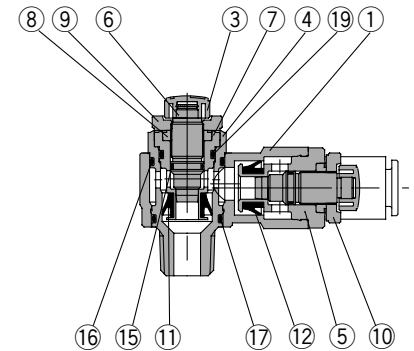
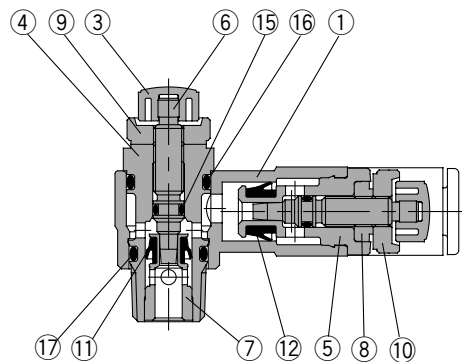
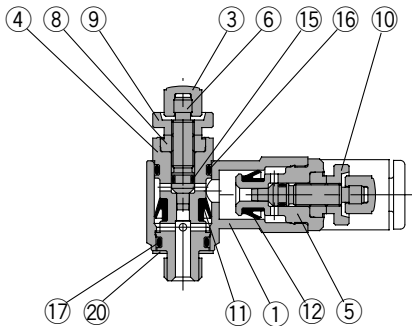
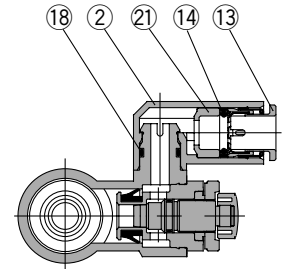
ASD230F



ASD330F/430F ASD530F/630F



ASD530F-02



Component Parts

No.	Description	Material	Note
①	Body A	PBT	
②	Elbow body	PBT	
③	Handle	PBT	
④	Body B	Brass	Electroless nickel plated
⑤	Body B	Brass	Electroless nickel plated
⑥	Needle	Brass	Electroless nickel plated
⑦	Seat ring	Brass	Electroless nickel plated
⑧	Needle guide	Brass	Electroless nickel plated
⑨	Lock nut	Brass ⁽³⁾	Electroless nickel plated
⑩	Lock nut	Brass ⁽³⁾	Black zinc chromated

Component Parts

No.	Description	Material	Note
⑪	U packing	NBR	
⑫	U packing	NBR	
⑬	Cassette	POM, Stainless steel ⁽¹⁾	
⑭	Packing	NBR	
⑮	O ring	NBR	
⑯	O ring	NBR	
⑰	O ring	NBR	
⑱	O ring	NBR	
⑲	O ring	NBR	
⑳	Gasket	Stainless, NBR	ASD230F only
㉑	Spacer	POM, Brass ⁽²⁾	

① Note 1) $\phi 10$, $\phi 12$, $\phi 3/16"$, $\phi 3/8"$: POM, Stainless steel and Brass (Electroless nickel plated)

Note 2) $\phi 3/16"$, $\phi 1/4"$, $\phi 3/8"$: Brass (Electroless nickel plated)

Note 3) ASD330 F and 430F: Steel