



MICRO SWITCH
 FREEPORT ILLINOIS
 A DIVISION OF HONEYWELL
 FED. MFG. CODE 91929

ASSEMBLY- PUSHBUTTON SWITCH

CATALOG LISTING
702PB SERIES CHART I

702PB SERIES
 CHART I
 PAGE 1 OF 1

M

DRAWING
 NUMBER

ISSUE
 6

REPLACES

RELEASE NO. SR 10785

4 MAR 63

LWE

CHECK

4 MAR 63

XAC

CHECK

15 APR 99

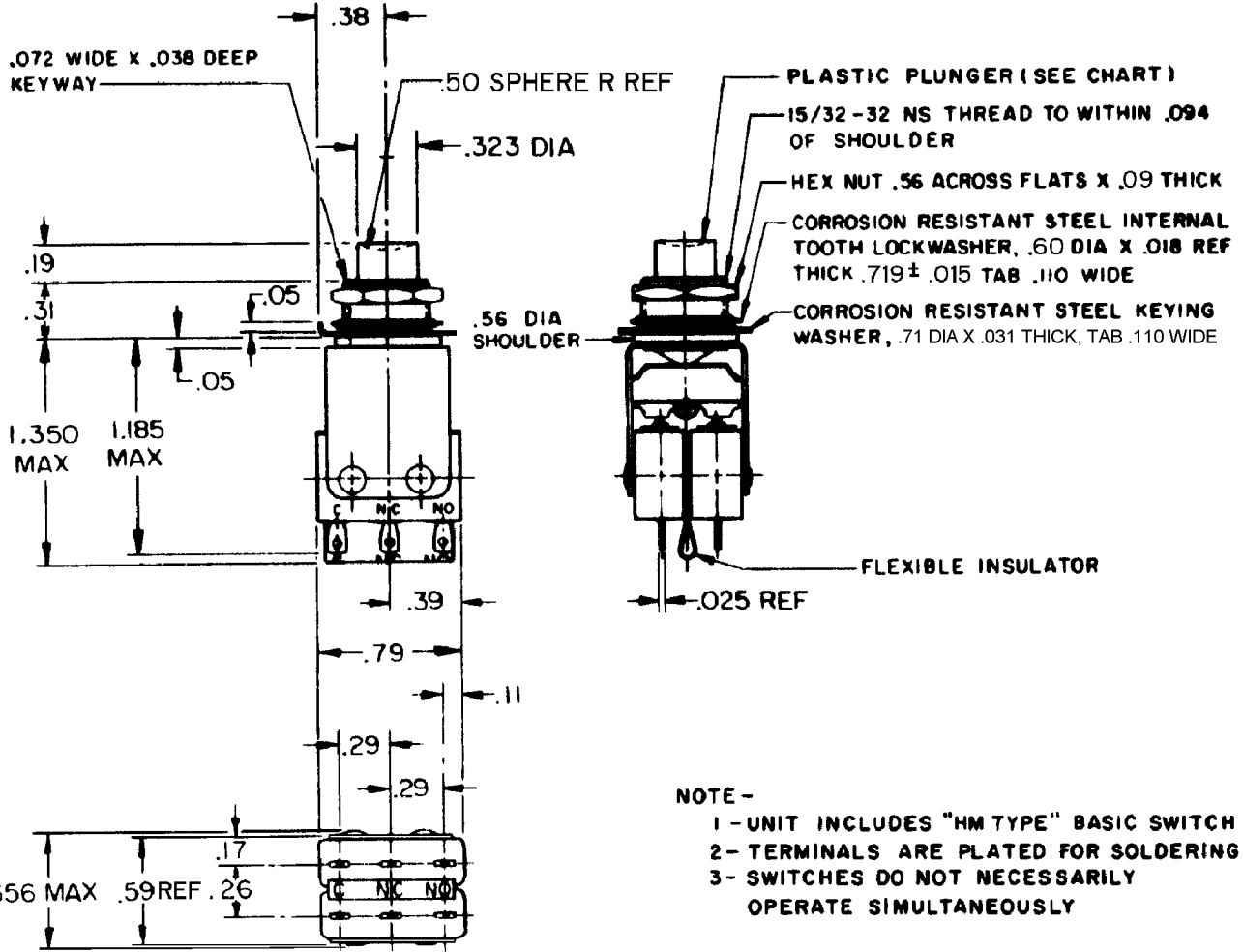
TRF
 31 MAR 06

CHECK

4 FEB 63

OMW

DRAWN



NOTE -
 1 - UNIT INCLUDES "HM TYPE" BASIC SWITCH (2)
 2 - TERMINALS ARE PLATED FOR SOLDERING
 3 - SWITCHES DO NOT NECESSARILY OPERATE SIMULTANEOUSLY

REVISIONS

A	COB107	M B F	7 MAY 63
B	COB2984	D L Y	17 MAY 65
C	COB4186	J A F	13 MAY 97
D	CO-94273	G J W	15 APR 99
E	0020292	TRF	31 MAR 06

CATALOG LISTINGS	PLUNGER COLOR	RELEASE NO.	FAA-PMA LISTING
702 PB1	BLACK	SR 10785	FAA-PMA
702 PB2	RED	SR 10785	
702 PB3	GREEN	SR 10785	

THIS DRAWING COVERS A PROPRIETARY ITEM AND IS THE PROPERTY OF MICRO SWITCH, A DIVISION OF MINNEAPOLIS-HONEYWELL REGULATOR CO. THIS DRAWING IS NOT TO BE COPIED OR USED WITHOUT THE APPROVAL OF MICRO SWITCH.

CHARACTERISTICS	ELECTRICAL DATA	SCALE FULL
OPERATING FORCE ----- 30 OZ APPROX	CONTACT ARRANGEMENT S P D T (2)	DO NOT SCALE PRINT
(A) TOTAL TRAVEL ----- .100 APPROX	115 VOLTS AC RATING 400 CPS INDUCTIVE ----- 2 AMP RESISTIVE ----- 2 AMP 28 VOLTS DC RATING INDUCTIVE ----- 3 AMP RESISTIVE ----- 5 AMP	UNLESS OTHERWISE SPECIFIED DIMENSIONS ARE IN INCHES TOLERANCES ARE: ONE PLACE (.0) ±.030 TWO PLACE (.00) ±.018 THREE PLACE (.000) ±.008 ANGLES ±
		WEIGHT .043 LB APPROX

RASTER