



# Datasheets for remaining of SKUs

## Essential

### Table of Contents

SKU	Asset Type	Page
HBL7595	Specification Sheet	2

Midget Twist-Lock® Devices  
 15A, 125V AC, 2 Pole, 3 Wire Grounding  
 Flanged Inlet

# HUBBELL

## Features

- Stainless Steel mounting flange
- High heat resistant phenolic base

## Ordering Information

Description	Terminals	UPC	Catalog Number
Stainless steel flanged inlet.	Exposed	783585237794	HBL7595

## Listings

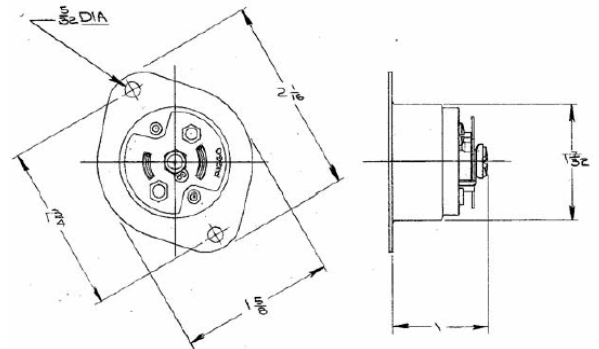
Listed to UL 498  
 Certified to CSA C22.2 No.42

## Specifications

Flange	Stainless Steel
Base	Phenolic
Blades	Brass
Terminal Screws	#5-40 Brass

## Performance

Electrical	
Current Interrupting	Certified for current interrupting at full rated current
Dielectric Voltage	Withstands 2,000V minimum
Mechanical	
Terminal Accommodation	#18 AWG - #14 AWG solid or stranded copper wire only.
Terminal Identification	Terminals identified in accordance with UL 498
Environmental	
Flammability	HB or better per UL94/CSA 22.2 No.0.17
Moisture Resistance	IP20 Suitability
Operating Temperatures	Maximum Continuous 75°C; Minimum -40°C (w/o impact)



## Accessories

Valise® Connector	HBL7593V
Connector	HBL77593
Angled Connector	HBL7571

## Resources

Customer Use Drawing  
 eCatalog

Dimensions in Inches (mm)

Hubbell Wiring Device-Kellems • Hubbell Incorporated (Delaware) • 40 Waterview Drive • Shelton, CT 06484

Phone (800) 288-6000 • Fax (800) 255-1031 • Specifications subject to change without notice.

