

**Miniature Circuit Breaker Lockout - Pin Out Standard**

TDS No. LOTO-1  
Effective Date: 09/03/2012

**Description:**

**Design**

- Safe and effective method for locking out miniature circuit breakers
- Require no tools to install! Easily installs with the aid of a push button
- Recommended to lock with lightweight Brady Compact Safety Padlocks, and can accept up to 9/32" shackle diameter
- Made of a durable glass-filled nylon, available as each or in packs of 6"

**Material**

- Made of Glass-filled nylon
- Springs made of Stainless Steel
- Color: Outer Housing – Red (PMS 1805C)
- Color: Inner Housing - Black
- UL rating – UL94 – HB Rating

**Temperature Range**

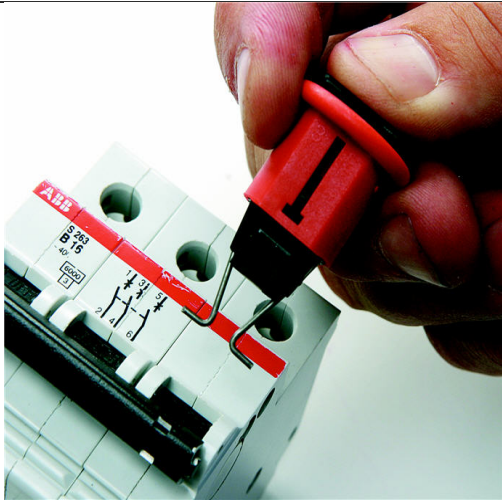
- Plastic Housings: -20° to 120°C (0° to 250°F)

**Chemical Resistance**

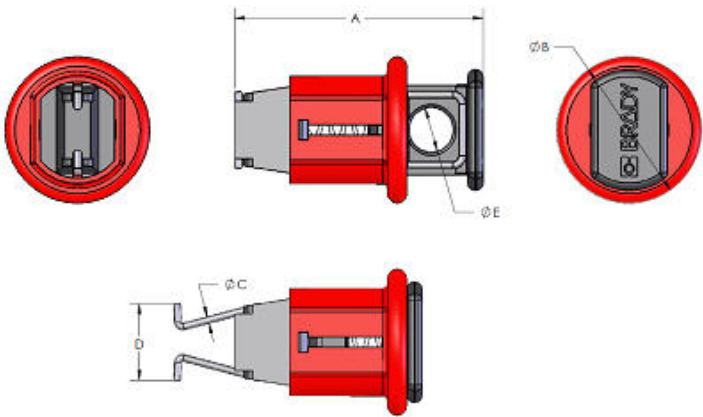
All approved chemicals listed are based on the manufactures specified chemical resistance chart for plastic material only. All other materials in the device are made of Stainless steel.

**Dimensions**

"A"	-	1.638" [41.6mm]
"B"	-	0.950" [24.1mm]
"C"	-	0.043" [1.1mm] Max
"D"	-	0.495" [12.6mm]
"E"	-	0.281" [7.1mm]



Chemical	°C	Chemical	°C
Acetone	25	Petroleum	25
Acetone	60	Turpentine oil	25
Chlorine, chlorine water	25	Turpentine substitute (white spirit)	25
Fuel, engine: Gasoline (normal & premium grade)	85	Trichloroethane 1,1,1	45
Lubrication oil: gear oil	< 120	Lubricating oil: HD engine oils, hydraulic oils, transformer oils	< 120
Fuel, engine: M15 mixture (15% methanol)	70	Water (including seawater)	25
Methanol	25	Water (including seawater), chlorinated (<0,5 mg/l)	80



**Warranty**

**Note:** All values shown are averages and should not be used for specification purposes. Test data and test results contained in this document are for general information only and shall not be relied upon by Brady customers for designs and specifications, or be relied on as meeting specified performance criteria. Customers desiring to develop specifications or performance criteria for specific product applications should contact Brady for further information.

Product compliance information is based upon information provided by suppliers of the raw materials used by Brady to manufacture this product

or based on results of testing using recognized analytical methods performed by a third party, independent laboratory. As such, Brady makes no independent representations or warranties, expressed or implied, and assumes no liability in connection with the use of this information.

**Circuit Breaker Cross Reference Guide**

Circuit Breaker Manufacture	Breaker Type	# of Poles	Circuit Breaker Manufacture	Breaker Type	# of Poles	Circuit Breaker Manufacture	Breaker Type	# of Poles
Allen Bradley	1492-CB1F	1	ABB	S204-K	4	ABB	S203UP-K	3
Allen Bradley	1492-CB2F	2	ABB	S201P-K	1	ABB	S204UP-K	4
Allen Bradley	1492-CB3F	3	ABB	S202P-K	2	ABB	S201U-Z	1
Allen Bradley	1492-CB1G	1	ABB	S203P-K	3	ABB	S202U-Z	2
Allen Bradley	1492-CB2G	2	ABB	S222-K	4	ABB	S203U-Z	3
Allen Bradley	1492-CB3G	3	ABB	S221	1	ABB	S204U-Z	4
Allen Bradley	1492-CB1H	1	ABB	S222	2	ABB	S201UP-Z	1
Allen Bradley	1492-CB2H	2	ABB	S223	3	ABB	S202UP-Z	2
Allen Bradley	1492-CB3H	3	ABB	S224	4	ABB	S203UP-Z	3
Allen Bradley	1492-CB1DF	1	ABB	S251	1	ABB	S204UP-Z	4
Allen Bradley	1492-CB1DG	1	ABB	S252	2	ABB	F202AC	2
Allen Bradley	1492-CB1DH	1	ABB	S253	3	ABB	F672	2
Allen Bradley	1492-CB2DF	2	ABB	S261-B	1	ABB	F204AC	4
Allen Bradley	1492-CB2DG	2	ABB	S262-B	2	ABB	F674	4
Allen Bradley	1492-CB2DH	2	ABB	S263-B	3	ABB	S281-Z	1
ABB	F362	2	ABB	S264-B	4	ABB	S282-Z	2
ABB	F364	4	ABB	S261-C	1	ABB	S283-Z	3
ABB	F374	4	ABB	S262-C	2	ABB	S281UC-Z	1
ABB	E221	1	ABB	S263-C	3	ABB	S282UC-Z	2
ABB	E222	2	ABB	S264-C	4	ABB	S283UC-Z	3
ABB	E241	1	ABB	S261-D	1	Buschmat	S46	1
ABB	E271	1	ABB	S262-D	2	Clipsal	4CB	1-3
ABB	E242	2	ABB	S263-D	3	Cutler Hammer	WME	1-3
ABB	E272	2	ABB	S271-K	1	Cutler Hammer	WMF	1-3
ABB	E243	3	ABB	S272-K	2	Cutler Hammer	WMH	1-4
ABB	E273	3	ABB	S273-K	3	Cutler Hammer	WMM	1-4
ABB	E244	4	ABB	S274-K	4	Cutler Hammer	WMN	1-4
ABB	E274	4	ABB	S281-K	1	Cutler Hammer	WMS	1-4
ABB	S201-B	1	ABB	S282-K	2	E-T-A	911220G	2
ABB	S202-B	2	ABB	S283-K	3	FAZ	C16	1-4
ABB	S203-B	3	ABB	S281UC-K	1	Hager	453717	3
ABB	S204-B	4	ABB	S282UC-K	2	Hager	MW216A	2
ABB	S201-C	1	ABB	S283UC-K	3	Hager	MW620A	4
ABB	S202-C	2	ABB	S201P-Z	1	Legrand	01908	1
ABB	S203-C	3	ABB	S202P-Z	2	Merlin Gerin	C32N	1-3
ABB	S204-C	4	ABB	S203P-Z	3	Merlin Gerin	C45AD	3
ABB	S201-D	1	ABB	S201U-K	1	Merlin Gerin	C60a	1-4
ABB	S202-D	2	ABB	S202U-K	2	Merlin Gerin	C60H	1-4
ABB	S203-D	3	ABB	S203U-K	3	Merlin Gerin	C60N	1-4
ABB	S201-K	1	ABB	S204U-K	4	Proteus	C16	1
ABB	S202-K	2	ABB	S201UP-K	1	Proteus	C6	1-3
ABB	S203-K	3	ABB	S202UP-K	2	Wylex	WRS40/2	2

**Details:**

**MSDS Information**

**1. HAZARDS IDENTIFICATION**

This product is NOT DANGEROUS and contains no hazardous ingredients.

**2. FIRST AID MEASURES/HEALTH INFORMATION/PROTECTION**

Eye Contact:	Not applicable, product is inert
Ingestion:	Not applicable, first aid is not normally required.
Inhalation:	Not applicable
Skin Contact:	Not applicable, product is inert, except if product is melted use gloves. For hot melted product, immerse in or flush affected area with water to dissipate heat, then obtain medical attention.
Exposure Limits:	None
Threshold Limits	None
Personal Protection:	None (ambient conditions)
NPCA-HMIS Rating:	Health: 0; Flammability: 1; Reactivity: 0
NFPA-704 Rating:	Health: 0; Flammability: 1; Reactivity: 0

**3. FIRE-FIGHTING MEASURES**

<ul style="list-style-type: none"> <li>Be cautious of hot melted Nylon</li> <li>Isolate product from fire</li> <li>Extinguish fire with water spray</li> </ul>	<ul style="list-style-type: none"> <li>Use water spray to cool fire, exposed surfaces, and to protect personnel</li> <li>Respiratory and eye protection is required for fire fighting personnel</li> <li>Decomposition products under fire conditions: Oxygen-lean conditions may cause monoxide and irritating smoke</li> </ul>
--	--

**4. ACCIDENTAL RELEASE MEASURES**

1 and	Recover material and place in suitable container for reuse or for disposal in conformance with local regulations.
-------	---

Water	Recover material and place in suitable container for reuse or for disposal in conformance with local regulations.
-------	---

**5. HANDLING AND STORAGE**

5.1 Handling	5.2 Storage
No precautions noted-see local regulation if needed	Storage pressure: Atmospheric
	Storage temperature: Ambient, no direct sunlight

**6. EXPOSURE CONTROLS/PERSONAL PROTECTION**

6.1 Exposure limit values	6.2 Exposure Controls
None	6.2.1 Occupational Exposure Controls
	6.2.1.1 Respiratory Protection: Not applicable
	6.2.1.2 Hand Protection: Not applicable
	6.2.1.3 Eye Protection: Not applicable
	6.2.1.4 Skin Protection: Not applicable
	6.2.2 Environmental Exposure Controls: No data available

**7. PHYSICAL AND CHEMICAL PROPERTIES**

General Information	
Other Information	

**8. STABILITY AND REACTIVITY**

8.1 Conditions to Avoid
Higher Temperatures and direct sunlight (chemical resistance is excellent)
Highly stable, but temperatures over 480 F may cause degradation
8.2 Materials to Avoid
No data available
8.3 Hazardous Decomposition Products
Under fire and oxygen-lean conditions may cause monoxide and irritating smoke

**9. ECOLOGICAL INFORMATION**

9.1 Ecotoxicity	No data available
9.2 Mobility	No data available
9.3 Persistence and Degradability	No data available
9.4 Bioaccumulative Potential	No data available
9.5 Other Adverse Effects	No data available

**10. DISPOSAL CONSIDERATIONS**

None of the materials in this product are Recyclable, dispose of all materials in accordance with an applicable federal, state, and local law.
--

**11. TRANSPORT INFORMATION**

No data available
-------------------

**12. REGULATORY INFORMATION**

This product has been tested and validated to the Regulatory Requirements listed below:	
<ul style="list-style-type: none"> <li>OSHA 29 CFR 1910.147 (4)(ii)(A)(1)(c)(5)(ii)(C)(1)</li> </ul>	<ul style="list-style-type: none"> <li>ANSI Standard Z244</li> </ul>

**13. OTHER INFORMATION**

No data available
-------------------

**Trademarks:**

**Note:** All values shown are averages and should not be used for specification purposes. Test data and test results contained in this document are for general information only and shall not be relied upon by Brady customers for designs and specifications, or be relied on as meeting specified performance criteria. Customers desiring to develop specifications or performance criteria for specific product applications should contact Brady for further information.

Product compliance information is based upon information provided by suppliers of the raw materials used by Brady to manufacture this product or based on results of testing using recognized analytical methods performed by a third party, independent laboratory. As such, Brady makes no independent representations or warranties, express or implied, and assumes no liability in connection with the use of this information.

**WARRANTY**

Brady products are sold with the understanding that the buyers will test them in actual use and determine for themselves their adaptability to their intended uses. Brady warrants to the buyers that its products are free from defects in material and workmanship, but limits its obligation under this warranty to replacement of the product shown to Brady's satisfaction to have been defective at the time Brady sold it. This warranty does not extend to any persons obtaining the product from the buyers. This warranty is in lieu of any other warranty, express or implied, including, but not limited to, any implied warranty of merchantability or fitness for a particular purpose, and of any other obligations or liability on Brady's part. Under no circumstances will Brady be liable for any loss, damage, expense, or consequential damages of any kind arising in connection with the use, or inability to use, Brady's products.

Copyright 2016 Brady Worldwide, Inc. | All Rights Reserved  
Material may not be reproduced or distributed in any form without written permission.

---

Lockout/Tagout | 6555 West Good Hope Road | Milwaukee, Wisconsin 53223 | USA | Tel: 414-358-6600 | Fax: 414-228-5770