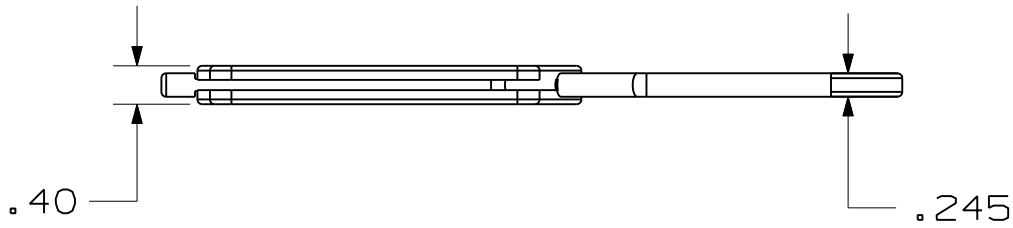
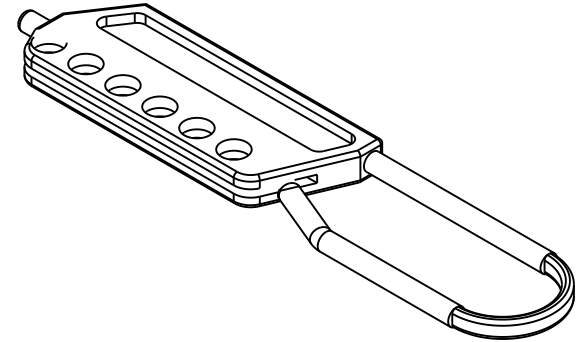
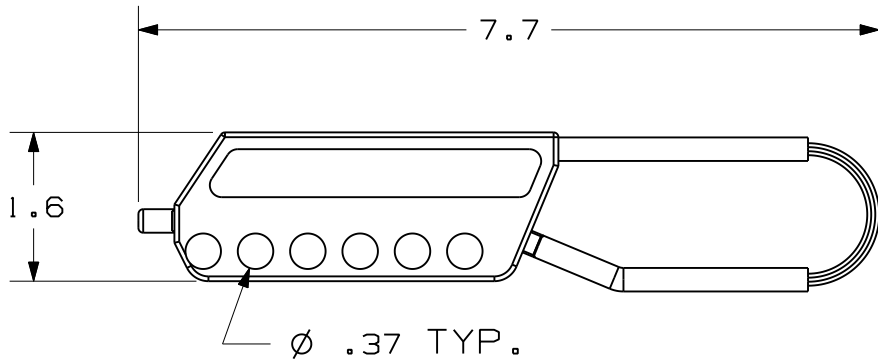


THIS COPY IS PROVIDED ON A RESTRICTED BASIS AND IS NOT TO BE USED IN ANY WAY DETRIMENTAL TO THE INTERESTS OF PANDUIT CORP.



NOTES:

1. OPERATIONAL TEMPERATURE RANGE:  
-40°F (-40°C) TO 140°F (60°C)
2. STORAGE TEMPERATURE RANGE:  
-40°F (-40°C) TO 250°F (120°C)
3. HOLDS 6 PADLOCKS
4. DIELECTRIC

CAD FILENAME/LAYERS 100923D0\_DC\_C10890/00A

PANDUIT CORP. TINLEY PARK, ILLINOIS

PSL-NC3 PLASTIC HASP  
CUSTOMER DRAWING

UNLESS OTHERWISE SPECIFIED,  
DIMENSIONAL TOLERANCES ARE:  
(.X) ± .1 (XXX) ± .025  
(.XX) ± .05 ANGLES ± 5°

UNLESS OTHERWISE SPECIFIED,  
ALL DIMENSIONS ARE GIVEN  
IN INCHES, THIRD ANGLE PROJECTION.

DRAWN BY  
JHAC

MAT'L:

SCALE  
1:2

DATE  
02/24/11

RED NYLON

DRAWING NO.

C10890

DWG  
A  
SIZE

0	2/24/11	JHAC	<i>JHAC</i>	DRAWING RELEASE	6289										
REV	DATE	BY	CHK	DESCRIPTION	ECN	R	CUST	SUP							

CHK'D  
*[Signature]*