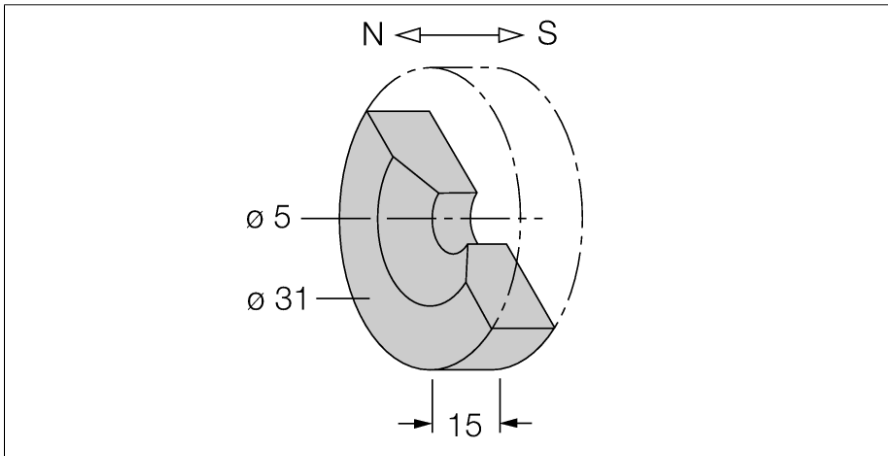
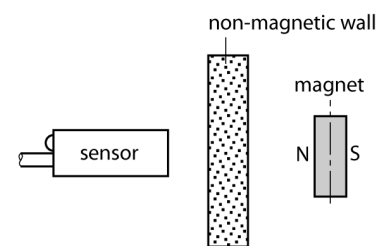


**Accessories**  
**Permanent Magnet**  
**DMR31-15-5**



- **Attainable switching distance 90 mm with magnetic field sensors (BIM) in models (E)M12E, M18 and G12SK**
- **Attainable switching distance 78 mm with magnetic field sensors (BIM) in models EH6.5, EG08 and M12-S1209**
- **Remanence (Br) 380–400 mT (3800–4000 Gauss)**
- **Material: Strontium ferrite (SrFe)**

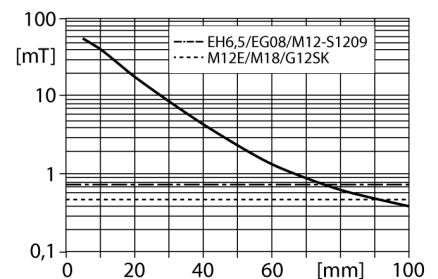


**Functional principle**

Magnetic-inductive proximity switches are actuated by magnetic fields. They detect permanent magnets through non-ferromagnetic materials such as wood, plastic, non-ferrous metals, aluminum or stainless steel.

Turck magnetic field sensors obtain a particularly high switching distance using the actuation magnets. As they are available in a number of sizes and versions, they enable a wide range of possibilities for detection, particularly in constructions where mounting space is limited or other difficult conditions prevail.

The diagram shows a typical characteristic curve of the magnetic flux density [in mT] based on the distance in the axial direction and at room temperature.



<b>Type</b>	DMR31-15-5
<b>ID</b>	6900215
<b>Remark to product</b>	All dimensions in mm. General tolerance according to DIN 7168 -g-
<b>Housing material</b>	Metal, SrFe
<b>Ambient temperature</b>	-40...+200 °C