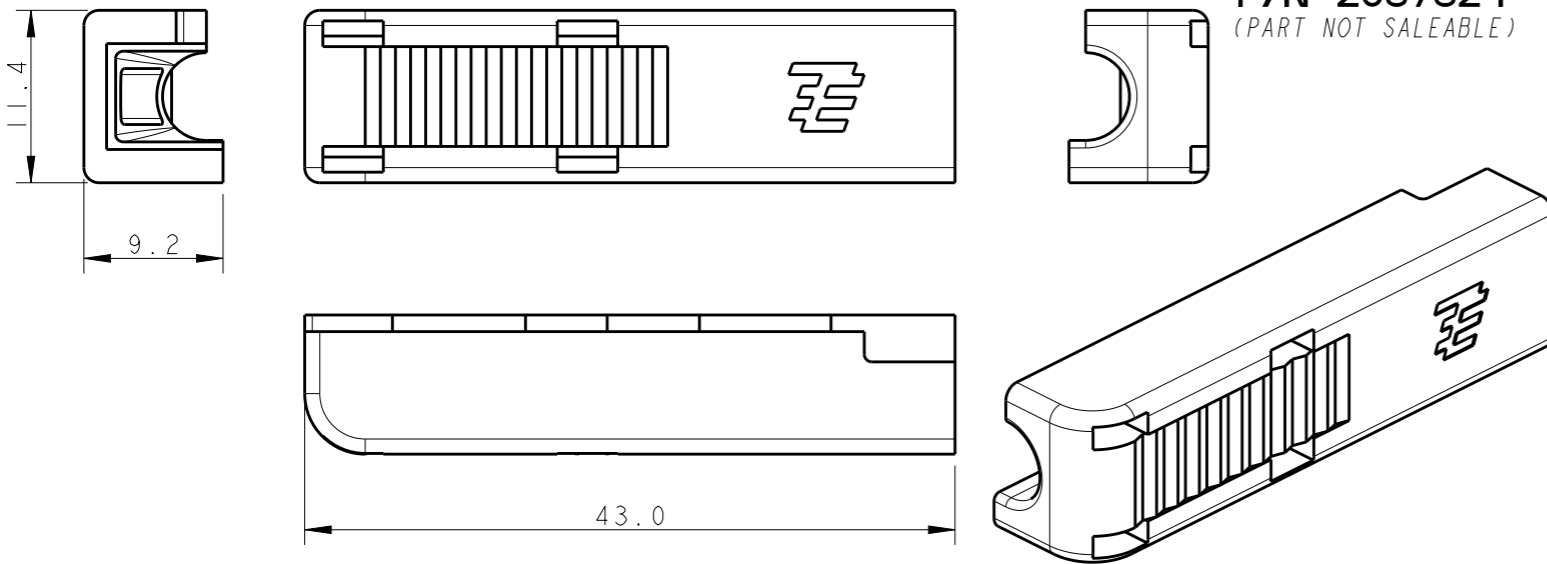


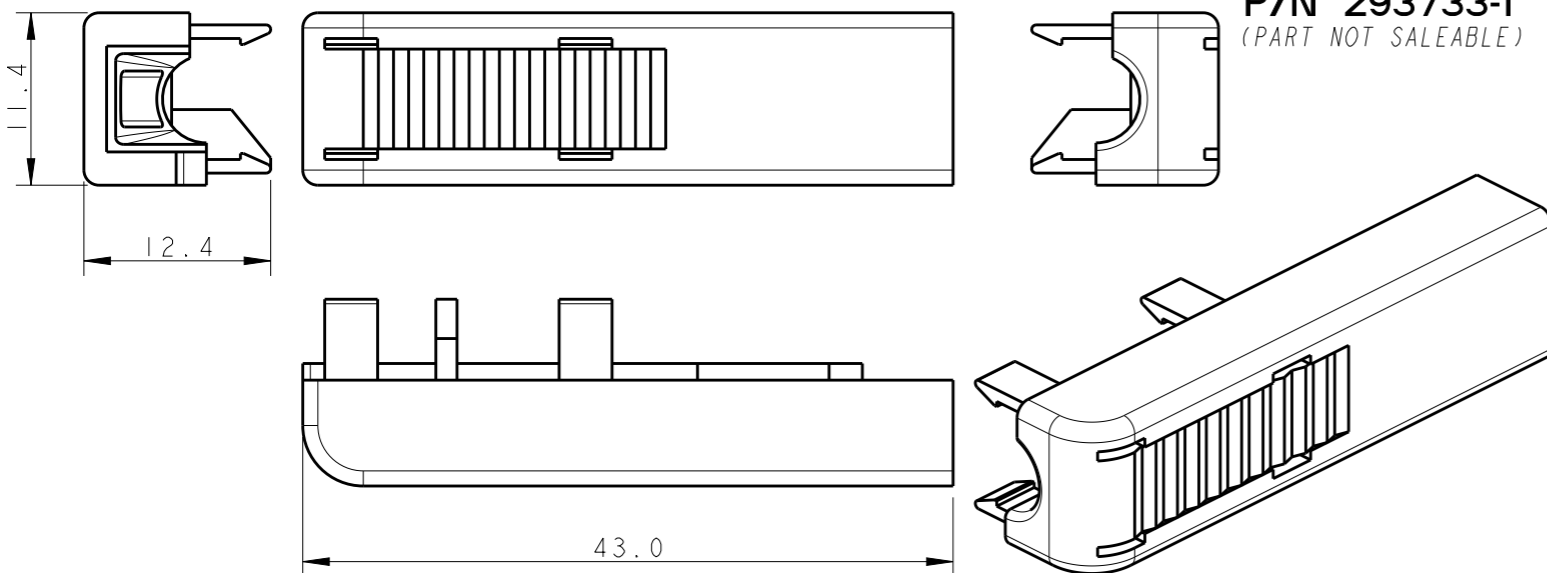
THIS DRAWING IS UNPUBLISHED. RELEASED FOR PUBLICATION 2010
 © COPYRIGHT 2010 BY TYCO ELECTRONICS CORPORATION. ALL INTERNATIONAL RIGHTS RESERVED.

LOC	DIST	REVISIONS			
P	LTR	DESCRIPTION	DATE	DWN	APVD
1	-	PRELIMINARY ISSUE	23JUN2010	D.C.	G.T.
2	-	REVISED: GEOMETRY IMPROVEMENTS	02SEP2010	D.C.	G.T.
A	-	RELEASED FOR PRODUCTION	09NOV2011	D.C.	G.T.
AI	-	REVISED PER ECR-14-006523	12MAY2014	RS	DD

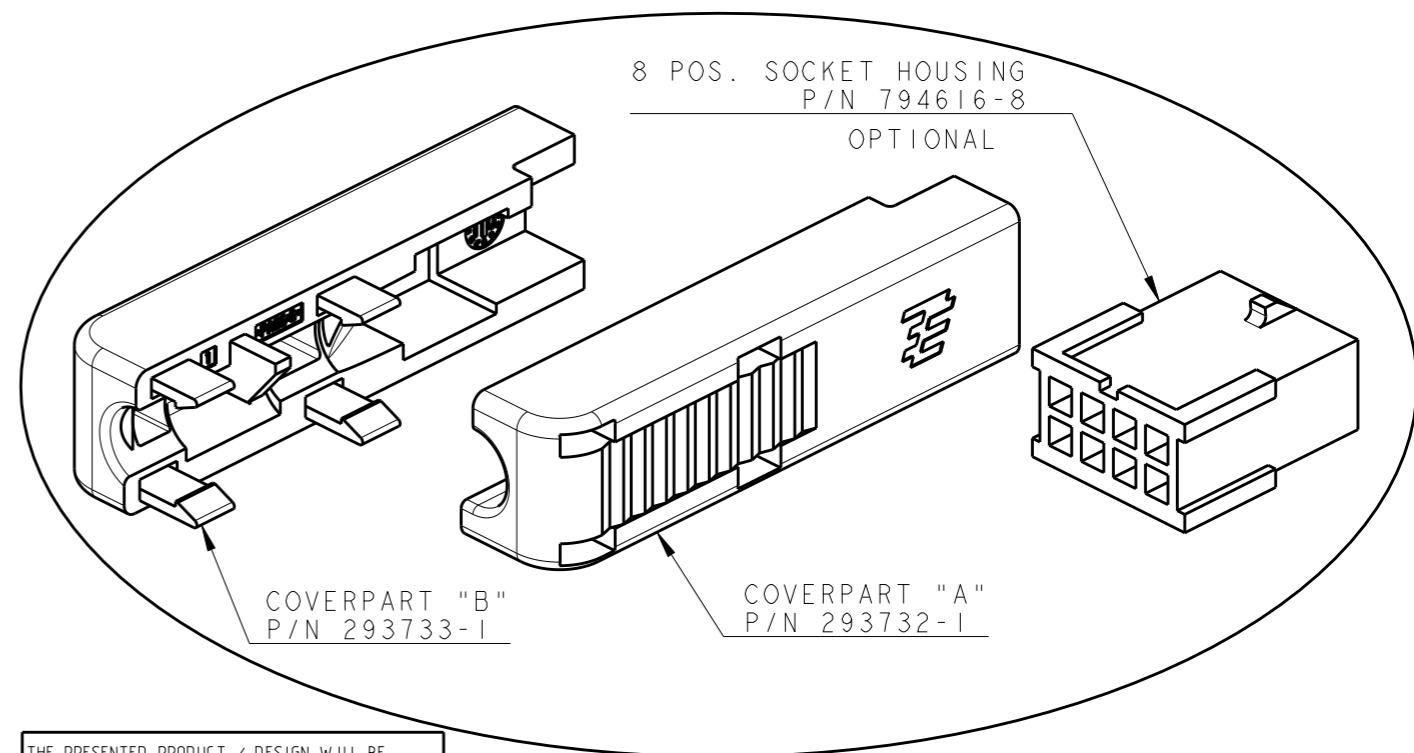
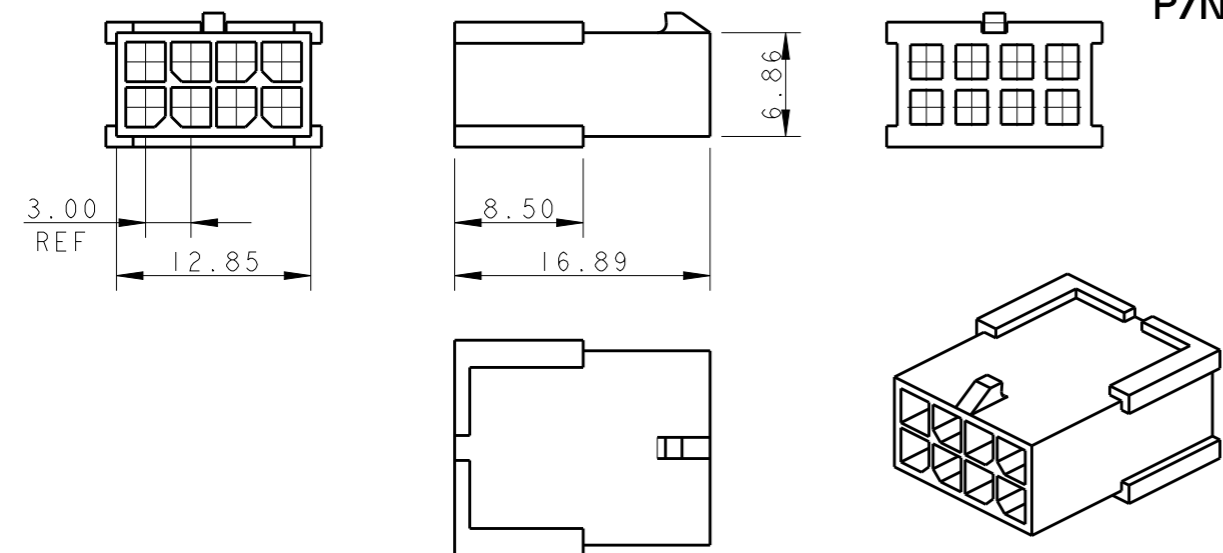
COVERPART "A"
P/N 293732-1
 (PART NOT SALEABLE)



COVERPART "B"
P/N 293733-1
 (PART NOT SALEABLE)



8 POS. SOCKET HOUSING
P/N 794616-8



THE PRESENTED PRODUCT / DESIGN WILL BE RELEASED FOR THE MANUFACTURING OF THE NECESSARY PRODUCTION TOOLS HEREBY. FURTHER CHANGES HAS TO BE PAID BY CUSTOMER.
 DATE, SIGN OF THE CUSTOMER

8 POS. COVERPART
P/N 293737

- PACKAGING: CARTON BOX CONTAINING:
 - N°500 PIECES OF COVERPART "A" P/N 293732-1
 - N°500 PIECES OF COVERPART "B" P/N 293733-1
 - N°500 SOCKET HOUSINGS P/N 794616-8
- ADMITTED CABLES MUST HAVE EXTERNAL DIAMETER OF 5,6±0,2mm AND MUST BE OF THE FOLLOWING TYPE:
 - LiYY 8x0,25mm² (MAX. N°8 CONTACTS P/N 794608-1 MUST BE CRIMPED ON THIS CABLE).
 - HELUKABEL DATAFLAMM 10x0,14mm² / 52307 350V HALOGEN FREE (MAX. N°8 CONTACTS P/N 794609-1 MUST BE CRIMPED ON THIS CABLE).

3 NOT RELEASED FOR PRODUCTION

-	293733-1	293732-1	293737-2	3
294616-8	293733-1	293732-1	293737-1	
PLUG HOUSING	COVERPART "B"	COVERPART "A"	PART NUMBER	

THIS DRAWING IS A CONTROLLED DOCUMENT FOR TYCO ELECTRONICS CORPORATION IT IS SUBJECT TO CHANGE AND THE CONTROLLING ENGINEERING ORGANIZATION SHOULD BE CONTACTED FOR THE LATEST REVISION.		DWN 23JUN2010 D. CHIARELLI CHK 23JUN2010 D. CHIARELLI APVD 23JUN2010 G. TURCO	Tyco Electronics AMP Italia S.r.l. C.so F.lli Cervi, 15 - Collegno (TO)
DIMENSIONS: mm 	TOLERANCES UNLESS OTHERWISE SPECIFIED: 0 PLC ±0.5 1 PLC ±0.3 2 PLC ±0.2 3 PLC ± 4 PLC ± ANGLES ±°	PRODUCT SPEC 108-20314 APPLICATION SPEC 114-20157 WEIGHT -	NAME 8 POS. COVERPART FOR 8 POS. MICRO MATE-N-LOK SOCKET HOUSING P/N 794616-8 SIZE A300779 CAGE CODE C-293737 DRAWING NO RESTRICTED TO
MATERIAL NYLON, UL94-V0 BLACK	FINISH -	Customer Drawing	SCALE 2:1 SHEET 1 OF 1 REV AI