

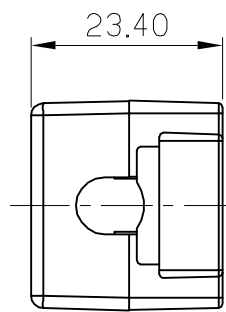
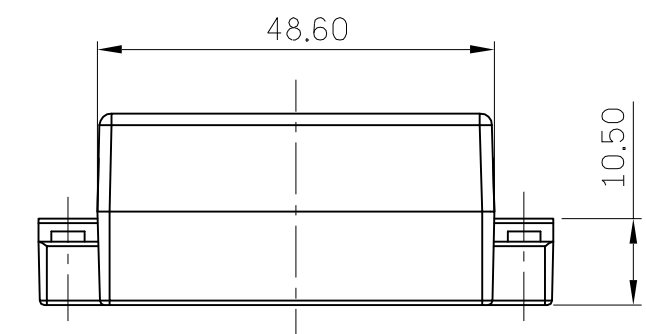
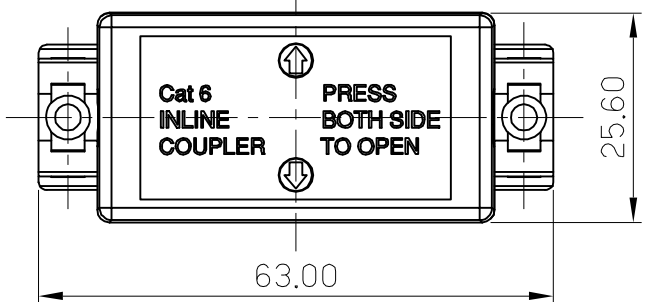
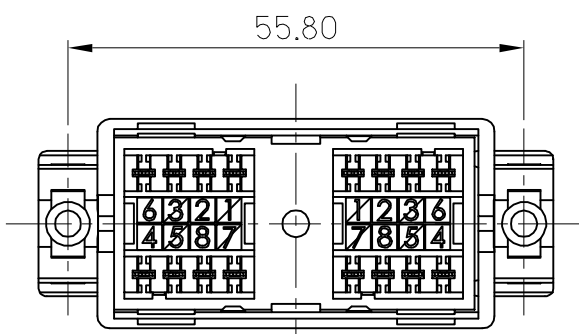
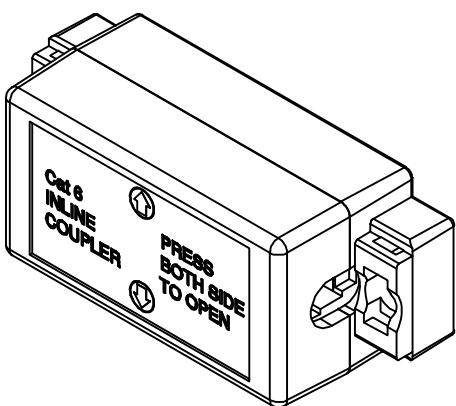
1 2 3 4 5 6

A

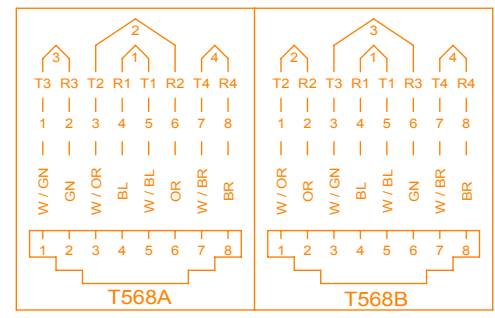
B

C

D



REFERENCE



MATERIAL

HOUSING : ABS,UL94V-0.
 IDC PLASTIC : PC,UL94V-0.
 IDC TERMINALS : PHOSPHOR BRONZE,NICKEL PLATED.

PHYSICAL CHARACTERISTICS

OPERATING TEMPERATURE RANGE : -10°C TO 60°C.
 STORAGE TEMPERATURE RANGE : -40°C TO 68°C.
 HUMIDITY : 10%~90%RH.

ELECTRICAL

INSULATION RESISTANCE : 500 MΩ.
 DIELECTRIC WITHSTANDING VOLTAGE : 1000 V AC.
 DC CURRENT RATING : 1.5 Amps.
 DC RESISTANCE : 0.1Ω.
 CONTACT RESISTANCE : 20mΩ.

ACCORDING TO : ANSI/TIA-568-C.2
 ISO/IEC 11801 2nd Edition
 IEC 60603-7

ENCLOSURE

NYLON CABLE TIE X 2 PCS
 SCREW X 2 PCS
 TWIN ADHESIVE X 1 PC



Scale	1:1				
3rd Angle Projection					
Unit	mm				
Date	2013/9/23				
Tolerance					
~20	~50	~150	150~	ANGLE	
±0.2	±0.4	±0.5	±1.5	±2°	



Quest Technology Int'l, Inc
 11200 NW 138th St., Medley, FL 33178

Part No.	NCB-6008		
Title:	Cat6 In-line UTP 110 IDC Coupler, White		
Drawn by	Checked by	Drawing No.	
BORUEI			

1 2 3