

DIAZED FUSE LINK 500V TIME-LAG TNDZ SERIES  
 SIZE DII, THREAD E16, 10A



Figure similar

Model		
product brand name		SETRON
Product designation		DIAZED fuse
Design of the product		For cable and line protection
Design of the fuse link		DIAZED fuse link
General technical data		
Tripping characteristic class		time-lag (T)
Size of fuse system / acc. to DIN EN 60269-1		NDz
Operating class of the fuse link		gG
circuit-breaker / Design		5SA2
Supply voltage		
• at AC / Rated value	V	500
• at DC	V	500
Protection class		
Protection class IP		IP20, with connected conductors
Switching capacity		
Switching capacity current		
• at DC / acc. to IEC 60947-2 / Rated value	kA	1.6

• acc. to IEC 60947-2 / Rated value

kA 40

### Dissipation

#### Active power loss

• for rated value of the current / at AC / in hot operating state / per pole

W 1.4

### Electricity

rated current I<sub>n</sub> / IEC, DIN/VDE / at 40 Cel

A 9.5

Current / at AC / Rated value

A 10

### Appearance

Color coding of the fuse link

red

### Product details

Product description

Using screw adapter or adapter sleeves

### Mechanical Design

mounting position

Any, preferably vertical

Net weight

g 10

### Environmental conditions

Ambient temperature

- minimum
- maximum
- during storage / Note

°C -5  
°C 40

Air humidity 90% at 20 °C

Environmental category

Up to 45°C at 95 % rel. humidity

Equipment marking

- acc. to DIN EN 61346-2
- acc. to DIN EN 81346-2

F  
F

General Product Approval

Declaration of  
Conformity

other



[Umweltbestätigung](#)

### Further information

Information- and Downloadcenter (Catalogs, Brochures,...)

<http://www.siemens.com/lowvoltage/catalogs>

Industry Mall (Online ordering system)

<https://eb.automation.siemens.com/mall/en/WW/Catalog/Product/5SA251>

Service&Support (Manuals, Certificates, Characteristics, FAQs,...)

<http://support.automation.siemens.com/WW/view/en/5SA251/all>

Image database (product images, 2D dimension drawings, 3D models, device circuit diagrams, ...)

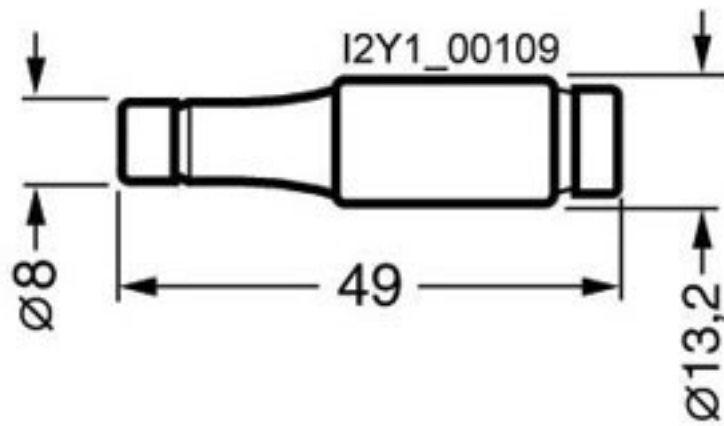
[http://www.automation.siemens.com/bilddb/cax\\_en.aspx?mfb=5SA251](http://www.automation.siemens.com/bilddb/cax_en.aspx?mfb=5SA251)

CAX-Online-Generator

<http://www.siemens.com/cax>

Tender specifications

<http://ausschreibungstexte.siemens.com/tiplv>



last modified:

24.07.2015