



SEPARATE ACTUATOR,
 UNIVERSAL RADIUS ACTUATOR 'HEAVY DUTY'
 VERSION VERTICAL AND HORIZONTAL ADJUSTABLE
 L=77MM FOR POSIT. SWITCH WITH TUMBLER
 3SE5312../3SE5322.. AND ASI 3SF13... AND POSIT.
 SWITCH WITH SEPARATE ACTUATOR 3SE51../3SE52..
 AND ASI 3SF11../3SF12..

General technical data:		
Product designation		actuator
Mechanical operating cycles as operating time		
• typical		1,000,000
Resistance against vibration		0.35 mm / 5g
Resistance against shock		30g / 11 ms
Ambient temperature		
• during operating	°C	-25 ... +85
• during storage	°C	-40 ... +90
Design of the operating mechanism		universal actuator
mounting position		any
Reference code		
• according to DIN 40719 extended according to IEC 204-2 / according to IEC 750		E
• according to DIN EN 61346-2		T

Certificates/ approvals:

General Product Approval

Functional Safety /
Safety of
Machinery

Declaration of
Conformity

Test Certificates



[Special Test
Certificate](#)

other

[Confirmation](#)

Further information:

Information- and Downloadcenter (Catalogs, Brochures,...)

<http://www.siemens.com/industrial-controls/catalogs>

Industry Mall (Online ordering system)

<http://www.siemens.com/industrial-controls/mall>

Cax online generator

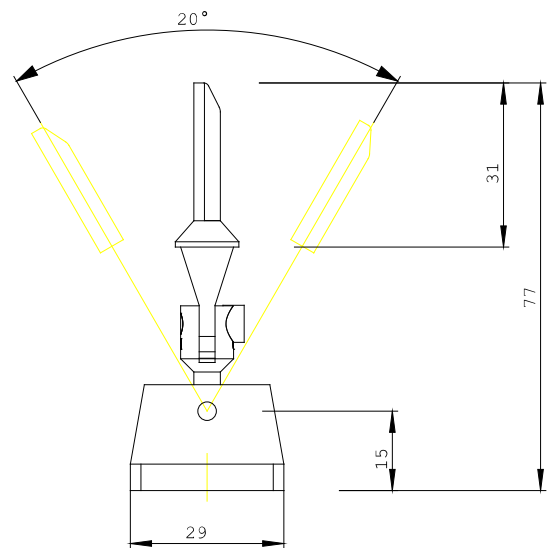
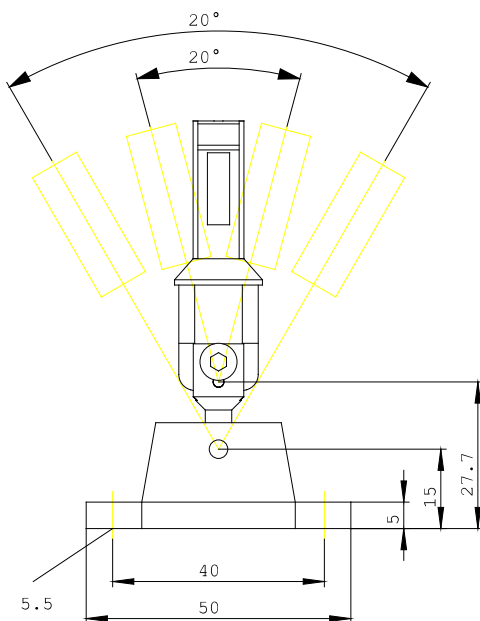
<http://www.siemens.com/cax>

Service&Support (Manuals, Certificates, Characteristics, FAQs,...)

<http://support.automation.siemens.com/WWW/view/en/3SE5000-0AV07/all>

Image database (product images, 2D dimension drawings, 3D models, device circuit diagrams, ...)

http://www.automation.siemens.com/bilddb/cax_en.aspx?mlfb=3SE5000-0AV07



last change:

Jun 16, 2014