

22MM METAL ROUND ACTUATOR: PUSH-PULL BUTTON  
40MM LATCHING W.PULL-TO-UNLOCK MECH.  
ILLUMINABLE INCL. HOLDER FOR 3 ELEMENTS WITH  
HOLDER CLEAR

Actuator:		
Design of the product		Single device round
Design of the operating mechanism		Mushroom-shaped push-pull switch
External diameter / of the activation element	mm	40
Functionality / of the actuator		Latching
Type of unlocking device		pull-to-unlatch mechanism
Color / of the activation element		Clear
Material / of the activation element		plastic
Number of switching positions		2
Product component / front ring		Yes
Material / of the front ring		metal
Color / of the front ring		silver
Design of the front ring		Standard
Product function / EMERGENCY STOP function		No

Holder:		
Material / of the holder		Metal

General technical data:		
Resistance against shock		
<ul style="list-style-type: none"> <li>• for devices with incandescent lamp / according to IEC 60068-2-27</li> <li>• for devices without incandescent lamp / according to IEC 60068-2-27</li> </ul>		<p>&lt;= 30g</p> <p>&lt;= 50g</p>
Resistance against vibration / according to IEC 60068-2-6		20 ... 200 Hz: 5g
Operating cycles / maximum	1/h	1,000
Mechanical operating cycles as operating time / typical		300,000
Product extension / optional / fluorescent materials		Yes
Reference code		
<ul style="list-style-type: none"> <li>• according to DIN EN 61346-2</li> <li>• according to DIN 40719 extended according to IEC 204-2 / according to IEC 750</li> </ul>		<p>S</p> <p>S</p>
Tightening torque / of the screws in the bracket / maximum	N·m	1

<b>Ambient temperature</b>		
• during operating	°C	-25 ... +70
• during storage	°C	-40 ... +80
<b>Protection class IP</b>		IP67
<b>climatic class / during the operating phase / according to EN 60721</b>		3K6
<b>Mounting type</b>		front mounting
<b>Shape / of the installation hole</b>		round
<b>Installation width</b>	mm	40
<b>Mounting diameter</b>	mm	22
<b>Mounting height</b>	mm	24.5
<b>Mounting depth</b>	mm	29

#### Certificates/ approvals:

##### General Product Approval



[Special Test Certificate](#)

##### Shipping Approval



##### other

[Confirmation](#)

[other](#)

[Environmental Confirmations](#)

#### Further information:

##### Information- and Downloadcenter (Catalogs, Brochures,...)

<http://www.siemens.com/industrial-controls/catalogs>

##### Industry Mall (Online ordering system)

<http://www.siemens.com/industrial-controls/mall>

##### Cax online generator

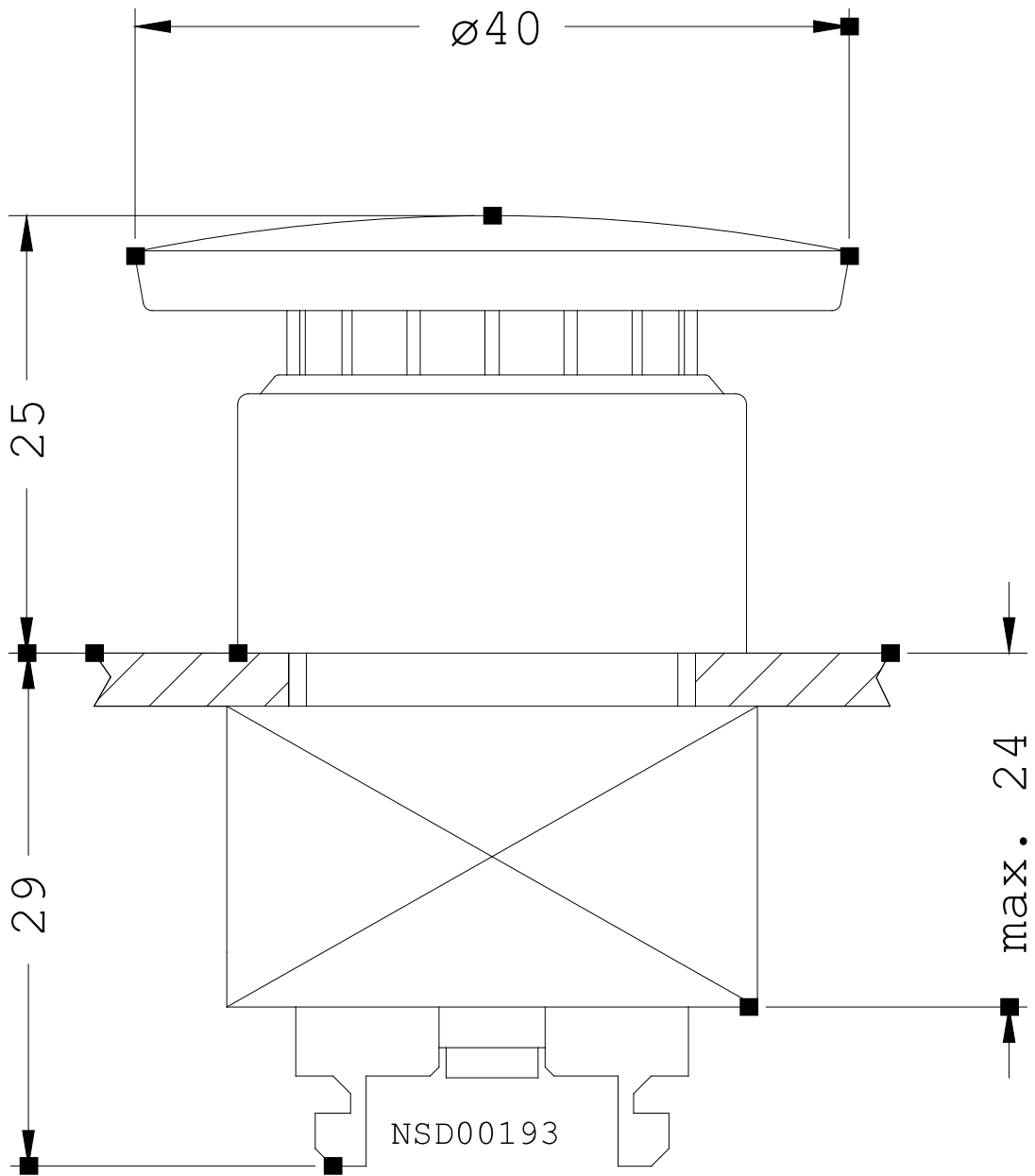
<http://www.siemens.com/cax>

##### Service&Support (Manuals, Certificates, Characteristics, FAQs,...)

<http://support.automation.siemens.com/WW/view/en/3SB3501-1CA71/all>

##### Image database (product images, 2D dimension drawings, 3D models, device circuit diagrams, ...)

[http://www.automation.siemens.com/bilddb/cax\\_en.aspx?mlfb=3SB3501-1CA71](http://www.automation.siemens.com/bilddb/cax_en.aspx?mlfb=3SB3501-1CA71)



last change:

Jul 7, 2014