



22MM METAL ROUND ACTUATOR: EMERGEN.-STOP MUSHR.PUSHB. 40MM LATCH.W. ROT.-TO-UNLATCH MECH. FRONT SWITCH POSITION INDICATOR WITH HOLDER RED

### Actuator:

<b>Design of the product</b>		Single device round with positive latching in accordance with ISO 13850
<b>Design of the operating mechanism</b>		Emergency stop mushroom pushbutton
<b>External diameter / of the activation element</b>	mm	40
<b>Functionality / of the actuator</b>		Latching
<b>Type of unlocking device</b>		rotate-to-unlatch mechanism
<b>Color / of the activation element</b>		Red
<b>Material / of the activation element</b>		plastic
<b>Number of switching positions</b>		2
<b>Product component / front ring</b>		No
<b>Product function / EMERGENCY STOP function</b>		Yes

### Holder:

<b>Material / of the holder</b>		Metal
---------------------------------	--	-------

### General technical data:

<b>Resistance against shock</b> • for devices without incandescent lamp / according to IEC 60068-2-27		<= 50g
<b>Resistance against vibration / according to IEC 60068-2-6</b>		20 ... 200 Hz: 5g
<b>Operating cycles / maximum</b>	1/h	1,000

<b>Mechanical operating cycles as operating time / typical</b>		300,000
<b>Product extension / optional / fluorescent materials</b>		No
<b>Reference code</b>		S
<ul style="list-style-type: none"> <li>• according to DIN EN 61346-2</li> <li>• according to DIN 40719 extended according to IEC 204-2 / according to IEC 750</li> </ul>		S
<b>Tightening torque / of the screws in the bracket / maximum</b>	N-m	1
<b>Ambient temperature</b>		
<ul style="list-style-type: none"> <li>• during operating</li> <li>• during storage</li> </ul>	°C	-25 ... +70
	°C	-40 ... +80
<b>Protection class IP</b>		IP67
<b>B10 value / with high demand rate / according to SN 31920</b>		100,000
<b>Proportion of dangerous failures</b>		
<ul style="list-style-type: none"> <li>• with high demand rate / according to SN 31920</li> <li>• with low demand rate / according to SN 31920</li> </ul>	%	20
	%	20
<b>Failure rate [FIT] / with low demand rate / according to SN 31920</b>	FIT	100
<b>T1 value / for proof test interval or service life / according to IEC 61508</b>	a	20
<b>climatic class / during the operating phase / according to EN 60721</b>		3K6
<b>Mounting type</b>		front mounting
<b>Shape / of the installation hole</b>		round
<b>Installation width</b>	mm	40.5
<b>Mounting diameter</b>	mm	22
<b>Mounting height</b>	mm	49
<b>Mounting depth</b>	mm	29

#### Certificates/ approvals:

General Product Approval

Declaration of  
Conformity

Test Certificates



[Special Test Certificate](#)

#### Shipping Approval



other

[Confirmation](#)

[other](#)

[Environmental Confirmations](#)

#### Further information:

---

Information- and Downloadcenter (Catalogs, Brochures,...)

<http://www.siemens.com/industrial-controls/catalogs>

---

Industry Mall (Online ordering system)

<http://www.siemens.com/industrial-controls/mall>

---

Cax online generator

<http://www.siemens.com/cax>

---

Service&Support (Manuals, Certificates, Characteristics, FAQs,...)

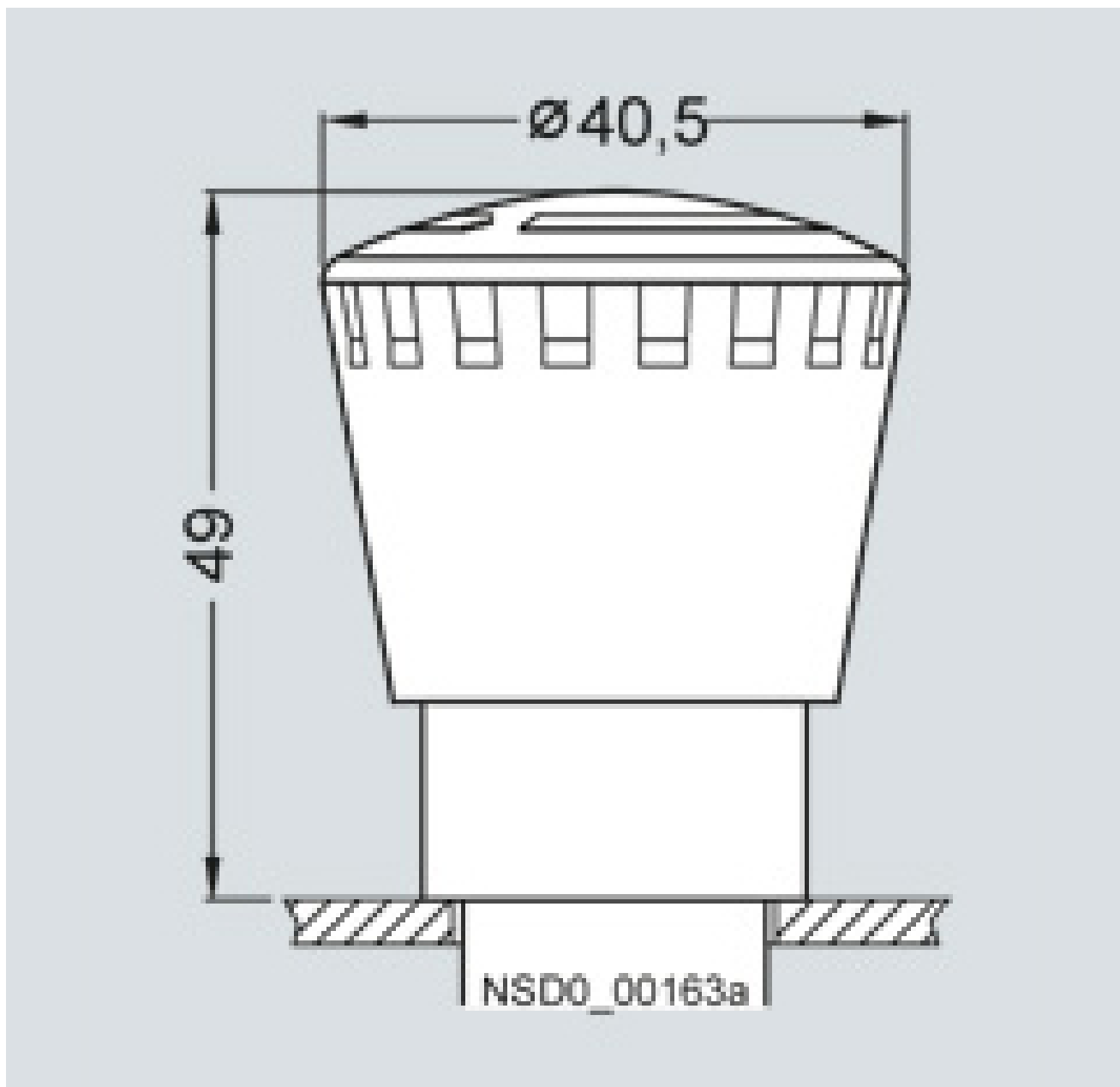
<http://support.automation.siemens.com/WW/view/en/3SB3500-1HA26/all>

---

Image database (product images, 2D dimension drawings, 3D models, device circuit diagrams, ...)

[http://www.automation.siemens.com/bilddb/cax\\_en.aspx?mlfb=3SB3500-1HA26](http://www.automation.siemens.com/bilddb/cax_en.aspx?mlfb=3SB3500-1HA26)

---



last change:

Jul 7, 2014