

22MM METAL ROUND ACTUATOR:
MUSHR.PUSHBUTTON 40MM LATCH.W. ROT.-TO-
UNLATCH MECH. WITH HOLDER BLACK

Actuator:		
Design of the product		Single device round
Design of the operating mechanism		mushromm pushbutton
External diameter / of the activation element	mm	40
Functionality / of the actuator		Latching
Type of unlocking device		rotate-to-unlatch mechanism
Color / of the activation element		black
Material / of the activation element		plastic
Number of switching positions		2
Product component / front ring		No
Product function / EMERGENCY STOP function		No

Holder:		
Material / of the holder		Metal

General technical data:		
Resistance against shock • for devices without incandescent lamp / according to IEC 60068-2-27		<= 50g
Resistance against vibration / according to IEC 60068-2-6		20 ... 200 Hz: 5g
Operating cycles / maximum	1/h	1,000
Mechanical operating cycles as operating time / typical		300,000
Product extension / optional / fluorescent materials		No
Reference code • according to DIN EN 61346-2 • according to DIN 40719 extended according to IEC 204-2 / according to IEC 750		S S
Tightening torque / of the screws in the bracket / maximum	N·m	1
Ambient temperature • during operating • during storage	°C	-25 ... +70 -40 ... +80
Protection class IP		IP67
climatic class / during the operating phase / according to EN 60721		3K6

Mounting type		front mounting
Shape / of the installation hole		round
Installation width	mm	40.5
Mounting diameter	mm	22
Mounting height	mm	49
Mounting depth	mm	29

Certificates/ approvals:

General Product Approval



[Special Test Certificate](#)

Declaration of Conformity

Test Certificates

Shipping Approval



other

[Confirmation](#)

[other](#)

[Environmental Confirmations](#)

Further information:

Information- and Downloadcenter (Catalogs, Brochures,...)

<http://www.siemens.com/industrial-controls/catalogs>

Industry Mall (Online ordering system)

<http://www.siemens.com/industrial-controls/mall>

Cax online generator

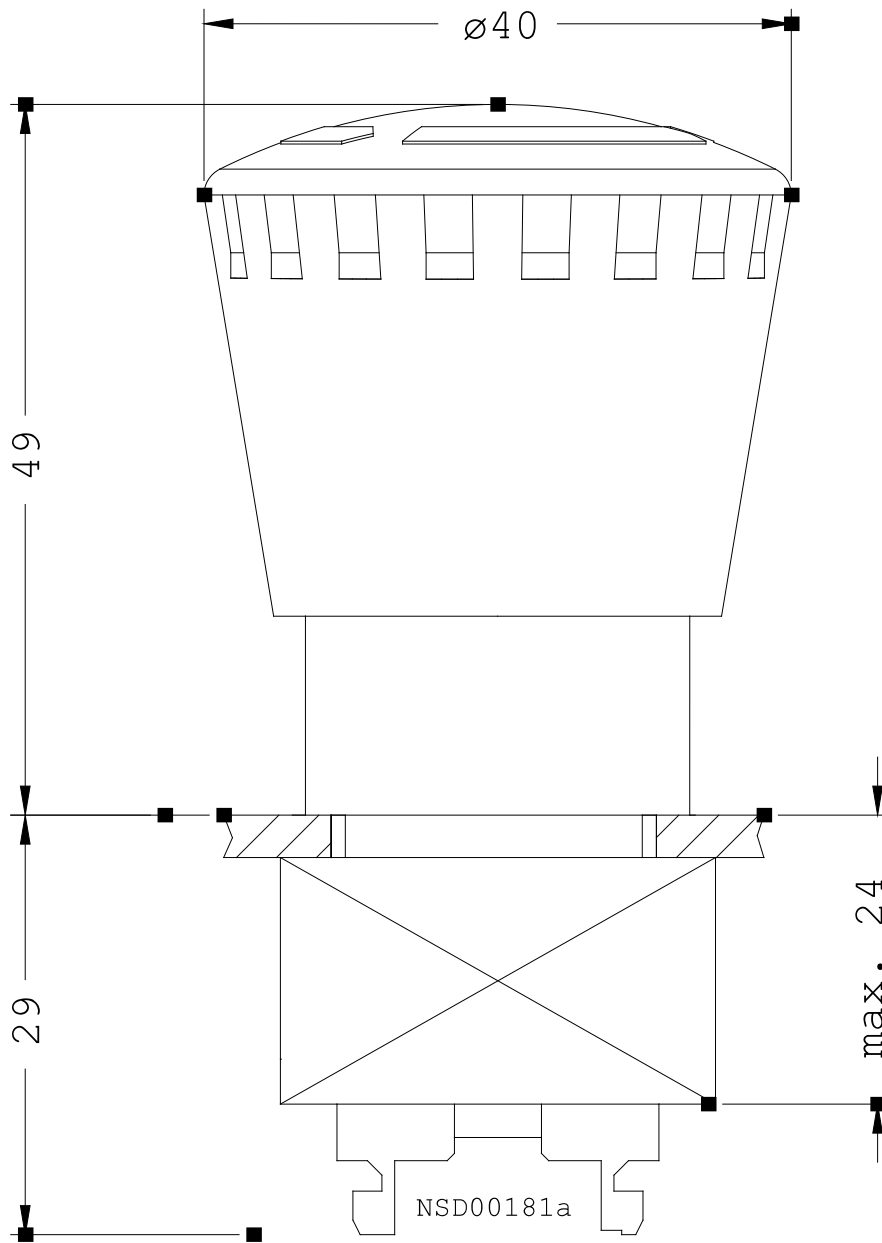
<http://www.siemens.com/cax>

Service&Support (Manuals, Certificates, Characteristics, FAQs,...)

<http://support.automation.siemens.com/WW/view/en/3SB3500-1HA10/all>

Image database (product images, 2D dimension drawings, 3D models, device circuit diagrams, ...)

http://www.automation.siemens.com/bilddb/cax_en.aspx?mlfb=3SB3500-1HA10



last change:

Jul 7, 2014