

STAND-ALONE INSTALLATION SUPPORT FOR  
3RU21/3RB30/3RB31 SZ S00,  
STAND-ALONE INSTALLATION MAIN CIRCUIT: SPRING  
TERMINAL AUX. CIRCUIT: --

#### General technical data:

<b>product brand name</b>	SIRIUS
<b>Product designation</b>	individual mount
<b>Size of overload relay</b>	S00

#### Installation/mounting/dimensions:

<b>Mounting type</b>	screw and snap-on mounting onto 35 mm standard mounting rail
----------------------	--

#### Connections:

<b>Design of the electrical connection</b>	spring-loaded terminals
<ul style="list-style-type: none"> <li>• for main current circuit</li> </ul>	
<b>Type of the connectable conductor cross-section</b>	
<ul style="list-style-type: none"> <li>• for main contacts                             <ul style="list-style-type: none"> <li>• solid</li> <li>• finely stranded                                     <ul style="list-style-type: none"> <li>• with conductor end processing</li> <li>• without conductor final cutting</li> </ul> </li> </ul> </li> <li>• for AWG conductors                             <ul style="list-style-type: none"> <li>• for main contacts</li> </ul> </li> </ul>	<p>0.5 ... 4 mm<sup>2</sup></p> <p>0.5 ... 2.5 mm<sup>2</sup></p> <p>1x (0.5 ... 2.5 mm<sup>2</sup>)</p> <p>1x (20 ... 12)</p>

General Product Approval



Test Certificates

[Type Test Certificates/Test Report](#)

Shipping Approval



other

[Environmental Confirmations](#)

Further information:

Information- and Downloadcenter (Catalogs, Brochures,...)

<http://www.siemens.com/industrial-controls/catalogs>

Industry Mall (Online ordering system)

<http://www.siemens.com/industrial-controls/mall>

CAX-Online-Generator

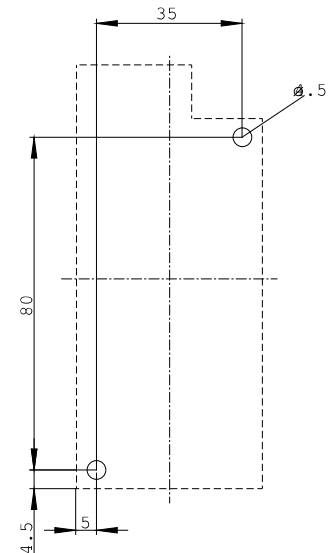
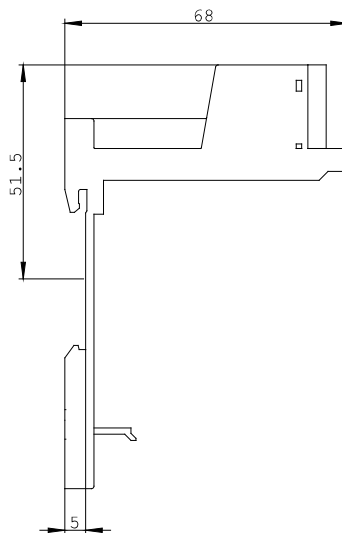
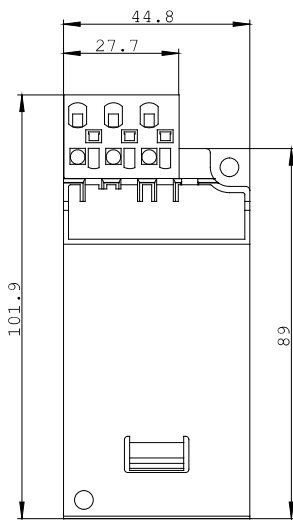
<http://www.siemens.com/cax>

Service&Support (Manuals, Certificates, Characteristics, FAQs,...)

<http://support.automation.siemens.com/WW/view/en/3RU2916-3AC01/all>

Image database (product images, 2D dimension drawings, 3D models, device circuit diagrams, ...)

[http://www.automation.siemens.com/bilddb/cax\\_en.aspx?mlfb=3RU2916-3AC01](http://www.automation.siemens.com/bilddb/cax_en.aspx?mlfb=3RU2916-3AC01)



last change:

Jul 7, 2014