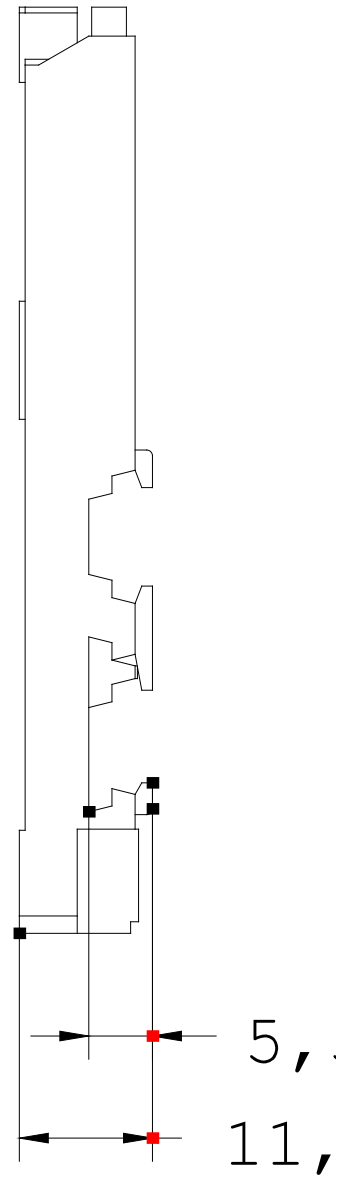
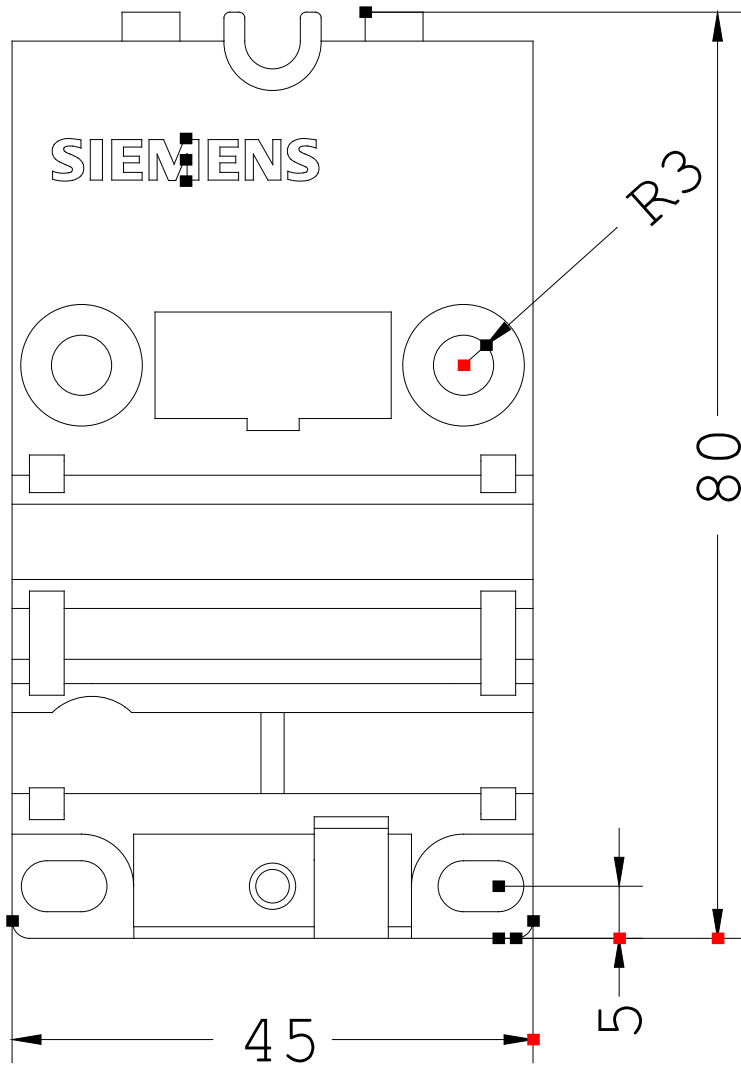




AS-INTERFACE MOUNTING PLATE K45 FOR STANDARD RAIL MOUNTING 1 X AS-INTERFACE CABLE (YELLOW) 1 X AS-INTERFACE CABLE (BLACK), HOLE GRID COMPATIBLE WITH COUPLING MODULE FK/FK-E (APPLICATION MODULE)

General technical data:	
Type of device	accessories digital I/O modules for operation in the field, IP67 - K45
Design of the product	K45 mounting plate for standard rail mounting
Connections:	
connection	insulation piercing method for AS-Interface flat cable
Connection system	insulation piercing method for AS-Interface flat cable
Mechanical design:	
Type of mounting	for standard rail mounting
Ambient conditions:	
degree of protection	IP67 with screw-mounted K45 compact module
Certificates/approvals:	





last change:

Jul 7, 2014