

**RF Load 200 Watts High Power To 3 GHz Black Anodized Aluminum Heatsink N Female**

High power RF termination (also called RF load or dummy load) ST3N-200F from Fairview Microwave operates from DC to 3 GHz and handles up to 200 Watts (CW). This N termination (or load) has a female gender. ST3N-200F N load termination offers 1.25:1 max VSWR. This high power 200W N terminator from Fairview Microwave has a heatsink body which is designed to provide adequate heat dissipation within its full frequency of operation.

RF terminations / loads are critical passive components in many RF, microwave and millimeter wave systems where signal reflection from unused ports can reduce the signal integrity can potentially damage the device. By terminating an unused port with a matched load (dummy load), the incident energy will be absorbed with minimal reflection. These radio frequency termination components are commonly used to terminate devices such as couplers, circulators, and switches. Loads / terminations are also widely used in measurement systems to ensure accurate results. Fairview offers a large selection of in-stock RF, microwave and millimeter wave terminations up to 65 GHz with great performance over the entire operating range and with power handling capabilities up to 800 Watts (CW).

**Electrical Specifications**

| Description   | Min | Typ | Max    | Units  |
|---|-----|-----|--------|--------|
| Frequency Range                                       | DC  |     | 3      | GHz    |
| Impedance   |     | 50  |        | Ohms   |
| VSWR  |     |     | 1.25:1 |        |
| Input Power (CW)<br>derated linearly to 20W at +125°C |     |     | 200    | Watts  |
| Input Power (Peak)<br>5µs pulse, 2% duty cycle        |     |     | 10     | kWatts |

**Mechanical Specifications**

| Size   |                      |
|--------|----------------------|
| Length | 8.66 in [219.96 mm]  |
| Width  | 3.86 in [98.04 mm]   |
| Height | 2.36 in [59.94 mm]   |
| Weight | 5.8785 lbs [2.67 Kg] |

**Configuration**

Connector N Female

**Material Specifications**

| Description         | Material                         | Plating |
|---------------------|----------------------------------|---------|
| Connector 1 Contact | Beryllium Copper                 | Gold    |
| Body                | Brass                            | Nickel  |
| Housing             | Black Anodized Aluminum Heatsink |         |



**Features:**

- High Power RF Load
- DC to 3 GHz Frequency Range
- VSWR 1.25:1 Max
- Max Power 200 Watts (CW)
- N Female Coaxial Interface

**Applications:**

- Wireless
- SatCom
- Radar Systems
- Test and Measurement
- Commercial and Military Communication

Fairview Microwave  
 301 Leora Ln., Suite 100  
 Lewisville, TX 75056  
 Tel: 1-800-715-4396 / (972) 649-6678  
 Fax: (972) 649-6689  
[www.fairviewmicrowave.com](http://www.fairviewmicrowave.com)  
[sales@fairviewmicrowave.com](mailto:sales@fairviewmicrowave.com)

**Environmental Specifications**

**Temperature**

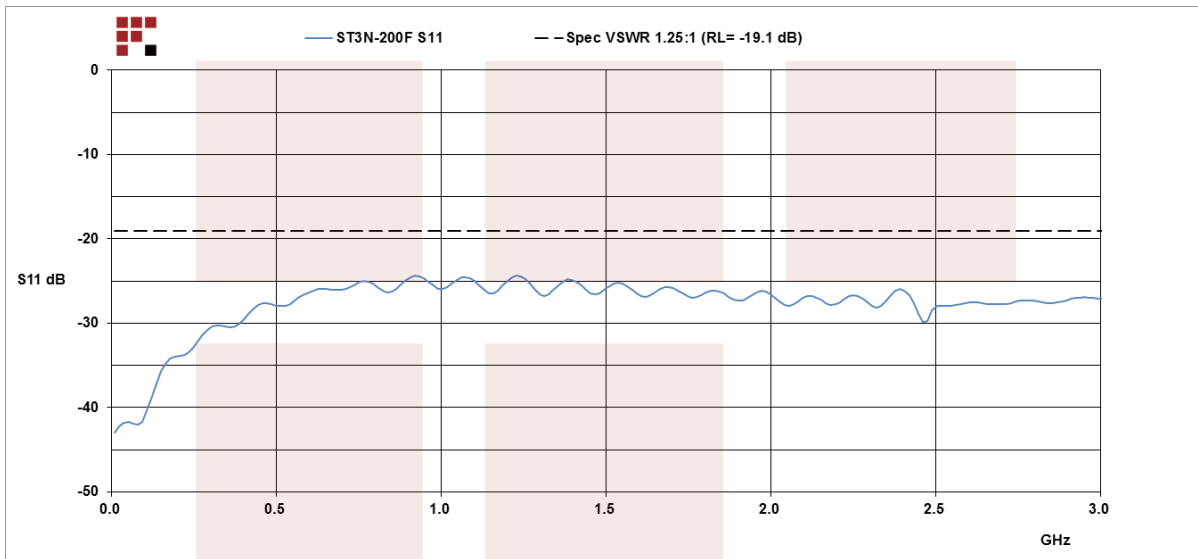
Operating Range -55 to +125 deg C

**Compliance Certifications** (see [product page](#) for current document)

**Plotted and Other Data**

Notes:

**Typical Performance Data**

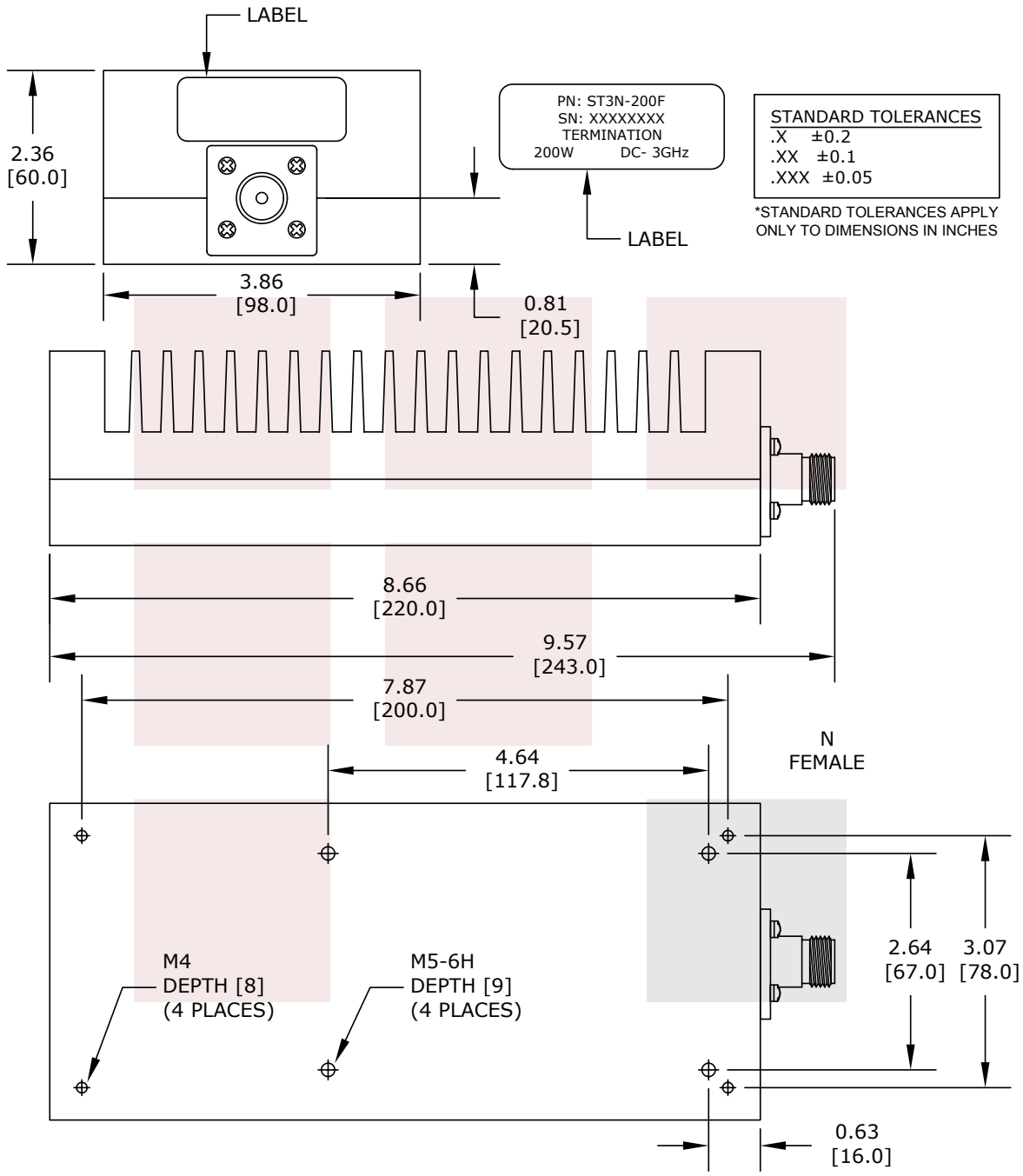


RF Load 200 Watts High Power To 3 GHz Black Anodized Aluminum Heatsink N Female from Fairview Microwave is in-stock and available to ship same-day. All of our RF/microwave products are available off-the-shelf from our ISO 9001:2008 certified facilities in Allen, Texas. Fairview Microwave is RF on-demand.

For additional information on this product, please click the following link: [RF Load 200 Watts High Power To 3 GHz Black Anodized Aluminum Heatsink N Female ST3N-200F](#)

URL: <https://www.fairviewmicrowave.com/rf-load-200-watts-3-ghz-n-female-st3n-200f-p.aspx>

The information contained in this document is accurate to the best of our knowledge and representative of the part described herein. It may be necessary to make modifications to the part and/or the documentation of the part, in order to implement improvements. Fairview Microwave reserves the right to make such changes as required. Unless otherwise stated, all specifications are nominal. Fairview Microwave does not make any representation or warranty regarding the suitability of the part described herein for any particular purpose, and Fairview Microwave does not assume any liability arising out of the use of any part or documentation.



|  |        |   |       |                           |            |
|--|--------|---|-------|---------------------------|------------|
| <b>FAIRVIEW MICROWAVE INC.</b><br>ALLEN, TX 75013 WWW.FAIRVIEWMICROWAVE.COM              |        | NOTES:<br>1. UNLESS OTHERWISE SPECIFIED ALL DIMENSIONS ARE NOMINAL.<br>2. ALL SPECIFICATIONS ARE SUBJECT TO CHANGE WITHOUT NOTICE AT ANY TIME.<br>3. DIMENSIONS ARE IN INCHES [mm]. |       |                           |            |
| TITLE<br>RF Load 200 Watts High Power To 3 GHz Black Anodized Aluminum Heatsink N Female |        | DWG NO<br><b>ST3N-200F</b>  |       | CAGE CODE<br><b>3FKR5</b> |            |
| CAD FILE   | 011116 | SHEET   | SCALE | N/A                       | SIZE A 150 |