

2.4mm Female to 2.4mm Female Adapter

2.4mm female to 2.4mm female adapter part number SM3010 from Fairview Microwave is in-stock and ships same day. This Fairview 2.4mm to 2.4mm adapter has a female to female gender configuration. SM3010 2.4mm female to 2.4mm female adapter operates to 50 GHz. The 2.4mm connector mates mechanically with commercially available 1.85mm (V) connectors. The Fairview Microwave RF adapter provides good VSWR of 1.4:1 maximum.

RF adapters can be used to enable connections between two connector types that would otherwise not mate. Certain RF adapter configurations can also be used to protect connectors on expensive equipment where the number of connect and disconnect cycles is high. An RF, microwave, or millimeter wave adapter is connected to the equipment and the commonly changed connection is made with the adapter which can be easily replaced when it wears out after high usage; such adapters are referred to as connector savers. Fairview Microwave also offers bulkhead, panel mount, hermetically sealed, reverse polarity, and isolated ground adapter varieties to serve all of your RF, microwave and millimeter wave needs.

Electrical Specifications

Description	Min	Typ	Max	Units
Frequency Range	DC		50	GHz
VSWR			1.4:1	

Electrical Specification Notes:
 Values at 25°C, sea level.

Mechanical Specifications

Size		
Length		0.842 in [21.39 mm]
Weight		0.014 lbs [6.35 g]

Description	Connector 1	Connector 2
Type	2.4mm Female	2.4mm Female
Polarity	Standard	Standard
Mating Cycles	500	500

Material Specifications

Description	Connector 1	Connector 2
Type	2.4mm Female	2.4mm Female
Contact Material	Beryllium Copper	Beryllium Copper
Contact Plating	Gold over Nickel	Gold over Nickel
Contact Plating Spec.	MIL-G-45204	MIL-G-45204
Insulation Material	Oxide-Noryl	Oxide-Noryl
Outer Contact Material	Passivated Stainless Steel	Passivated Stainless Steel
Outer Contact Plating Spec.	ASTM A380	ASTM A380

Environmental Specifications

Temperature	
Operating Range	-55 to +100 deg C



Configuration:

- 2.4mm Female Connector 1
- 2.4mm Female Connector 2
- 50 Ohms
- Straight Body Geometry

Features:

- VSWR of 1.4:1 max up to 50 GHz
- Contact plating according to MIL-G-45204
- Gold over Nickel Plated Beryllium Copper Contact

Applications:

- General Purpose Test

Fairview Microwave
 1130 Junction Dr. #100
 Allen, TX 75013
 Tel: 1-800-715-4396 / (972) 649-6678
 Fax: (972) 649-6689
www.fairviewmicrowave.com
sales@fairviewmicrowave.com

Vibration
 Salt Spray

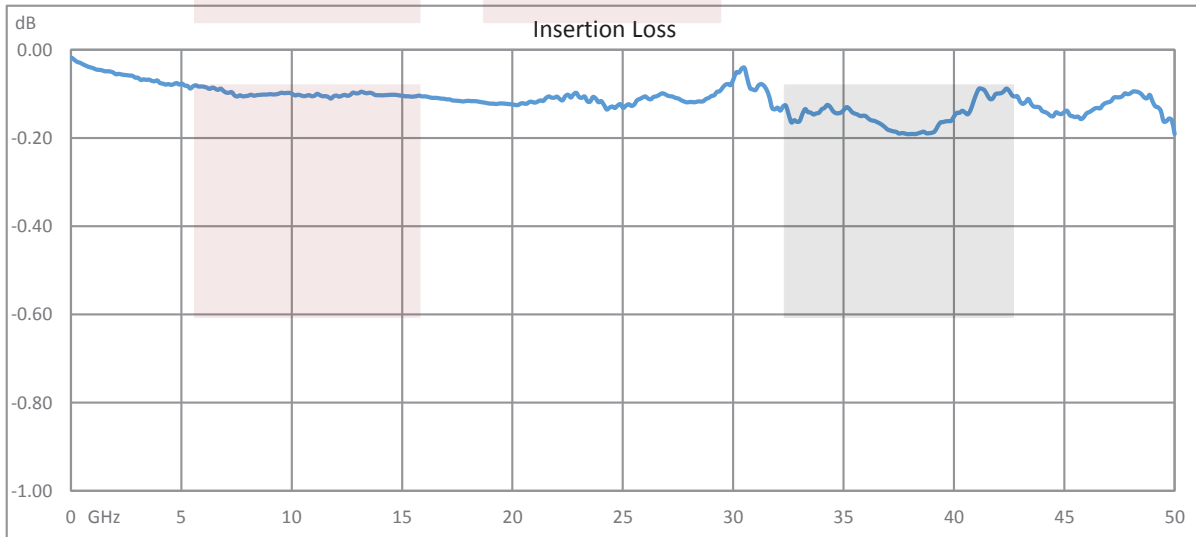
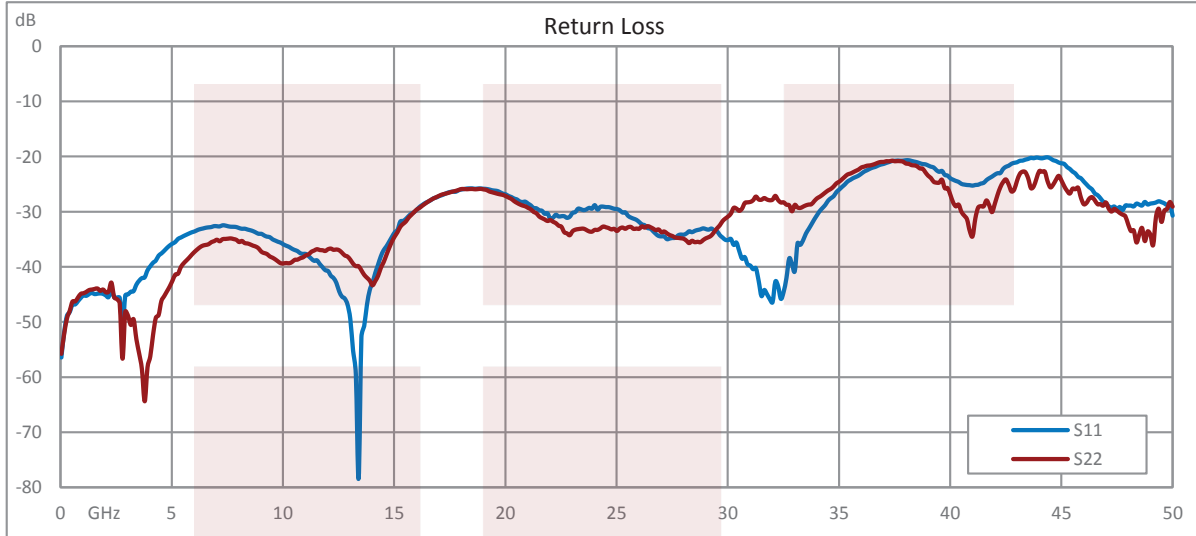
MIL-STD 202, Method 204, Condition D (20 G's)
 MIL-STD 202, Method 101, Condition B, 5% salt solution

Compliance Certifications (see [product page](#) for current document)

Plotted and Other Data

Notes:

Typical Performance Data



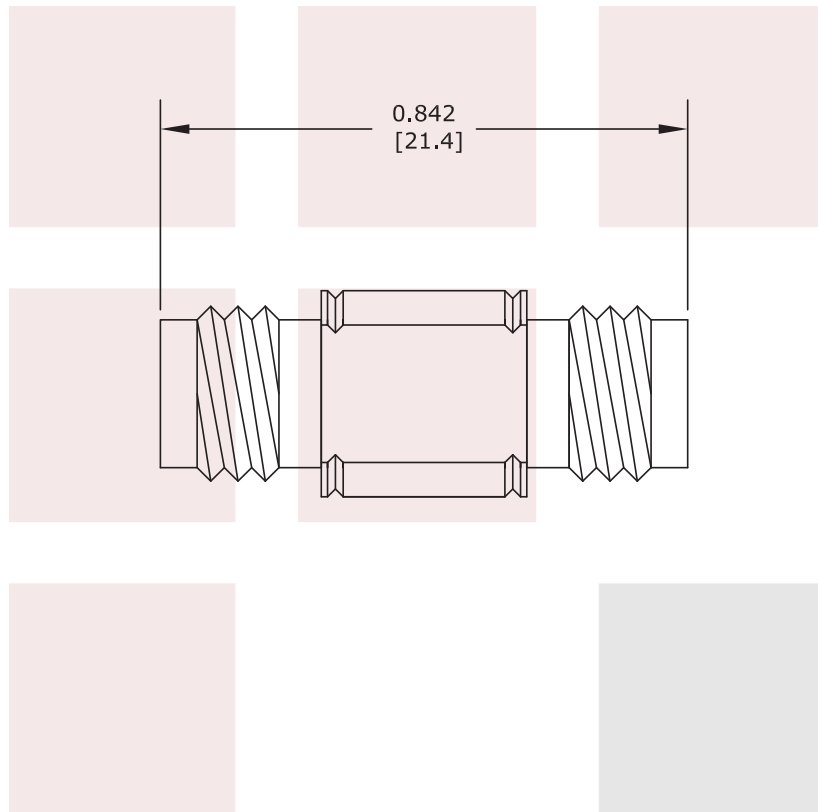
2.4mm Female to 2.4mm Female Adapter from Fairview Microwave is in-stock and available to ship same-day. All of our RF/microwave products are available off-the-shelf from our ISO 9001:2008 certified facilities in Allen, Texas. Fairview Microwave is RF on-demand.

For additional information on this product, please click the following link: [2.4mm Female to 2.4mm Female Adapter SM3010](#)

URL: <https://www.fairviewmicrowave.com/2.4mm-female-2.4mm-female-adapter-sm3010-p.aspx>

The information contained in this document is accurate to the best of our knowledge and representative of the part described herein. It may be necessary to make modifications to the part and/or the documentation of the part, in order to implement improvements. Fairview Microwave reserves the right to make such changes as required. Unless otherwise stated, all specifications are nominal. Fairview Microwave does not make any representation or warranty regarding the suitability of the part described herein for any particular purpose, and Fairview Microwave does not assume any liability arising out of the use of any part or documentation.





FAIRVIEW MICROWAVE INC. ALLEN, TX 75013 WWW.FAIRVIEWMICROWAVE.COM		NOTES: 1. UNLESS OTHERWISE SPECIFIED ALL DIMENSIONS ARE NOMINAL. 2. ALL SPECIFICATIONS ARE SUBJECT TO CHANGE WITHOUT NOTICE AT ANY TIME. 3. DIMENSIONS ARE IN INCHES [mm].			
TITLE 2.4mm Female to 2.4mm Female Adapter		DWG NO SM3010		CAGE CODE 3FKR5	
CAD FILE	111015	SHEET	SCALE	N/A	SIZE A 150