

**ebm-papst St. Georgen GmbH & Co. KG**

Hermann-Papst-Str. 1
 D-78112 St. Georgen
 Phone +49 (0) 7724 81-0
 Fax +49 (0) 7724 81-1309
 info2@de.ebmpapst.com
 www.ebmpapst.com

Nominal data

Type	RER 175-42/14/2 TDMP	
Nominal voltage	VDC	24
Nominal voltage range	VDC	16 .. 36
Speed	min ⁻¹	4800
Power input	W	110
Min. ambient temperature	°C	-20
Max. ambient temperature	°C	65
Air flow	m ³ /h	865
Sound power level	B	8.2

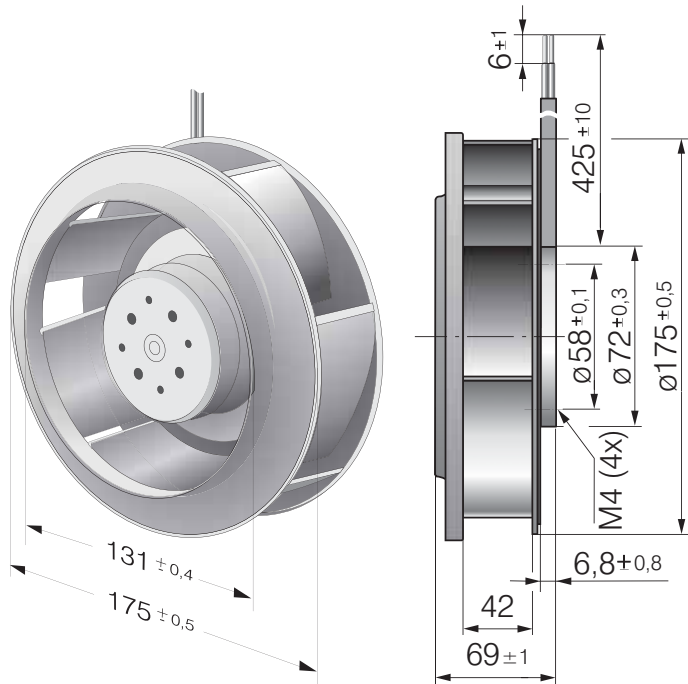
ml = Max. load · me = Max. efficiency · fa = Running at free air · cs = Customer specs · cu = Customer unit
 Subject to alterations

Technical features

General description	Very smooth running 3-phase fan drive with high efficiency Backward-curved impeller
Impeller material	Glass fibre-reinforced plastic
Mass	0.775 kg
Dimensions	175 Ø x 69 mm
Direction of air flow	Axial: intake, centrifugal: exhaust
Direction of rotation	Clockwise, looking at rotor
Bearing	Ball bearing
Lifetime L10 at 40 °C	70000 h
Lifetime L10 at maximum temperature	40000 h
Connection line	Via single wires AWG 18, 20 or AWG 22, TR 64, speed signal and control input AWG 22



Product drawing



Charts

