

i-View 504 LED Lighting System



INTRODUCTION

Wamco i-View 504 is an LED lighting system designed for niche indoor lighting applications. It is a perfect solution for manufacturing work center lighting. i-View 504 has much lower power consumption (approximately 48W including integrated power supply) than conventional 150W HQI lamp and Halogen lighting fixtures. i-View 504 provides many advantages including brilliant light output, significant energy cost saving and reduced maintenance costs.



FEATURES

- Energy efficient (up to 75% energy saving)
- Low power consumption (~48W)
- Available in Natural White: 5000K and Warm White: 3000K
- Integrated dimmer
- 2.9m power cable with NEMA 5-15P plug
- Long service life (> 50,000 hours L70)
- 3 year warranty

APPLICATIONS

- Indoor area lighting
- Task lighting for work centers

CERTIFICATIONS

- CE



SPECIFICATIONS

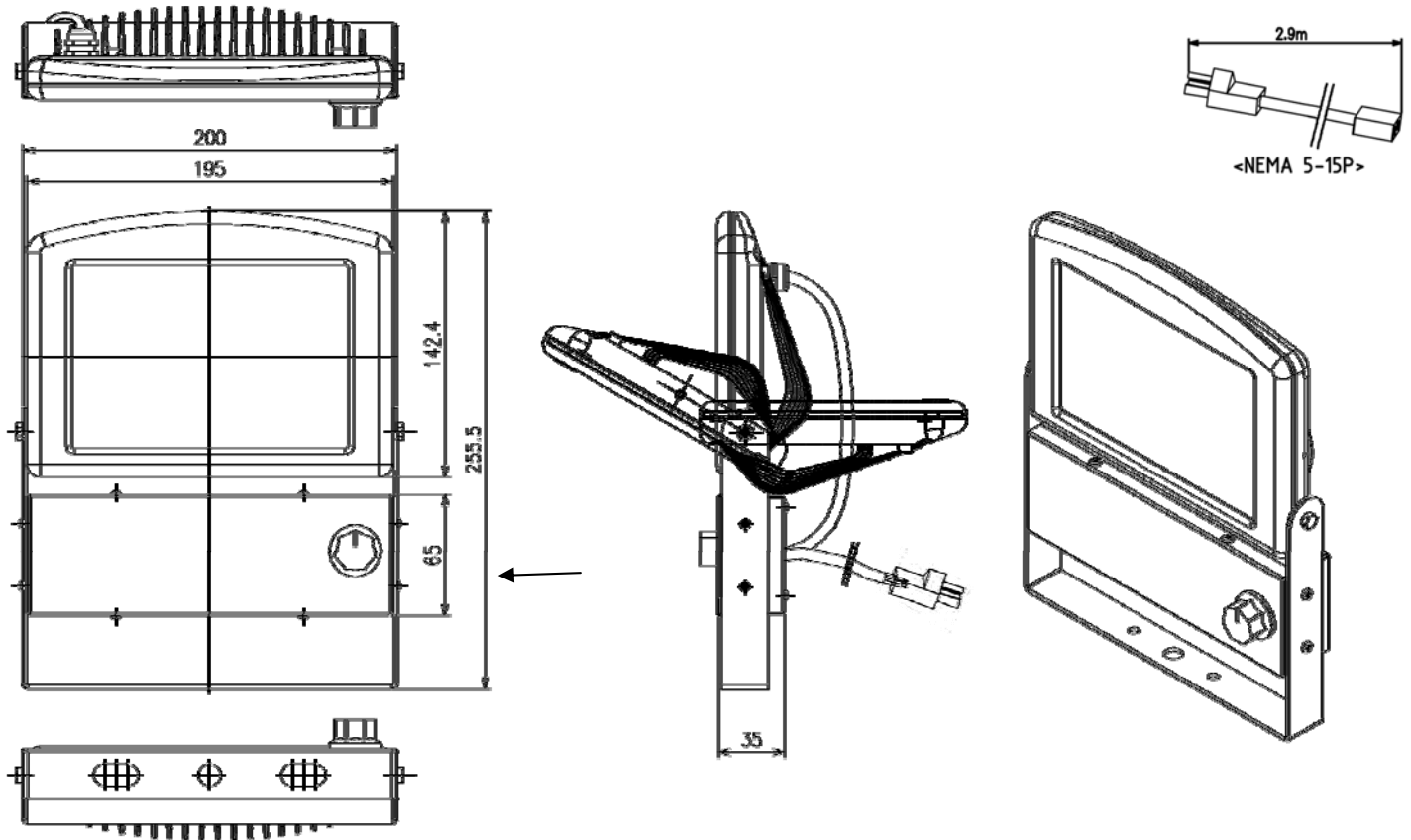
Model	Model No.	Input Vol.	Power Cons.	CCT	Beam Angle	Lum. Flux
i-View 504 Natural White	WL-B504040W04V	120~277VAC	48W	5000K	110°	4800 Lm
i-View 504 Warm White	WL-B504040L04V	120~277VAC	48W	3000K	110°	4300 Lm

- Operating Temp.: -20°C ~ +50°C

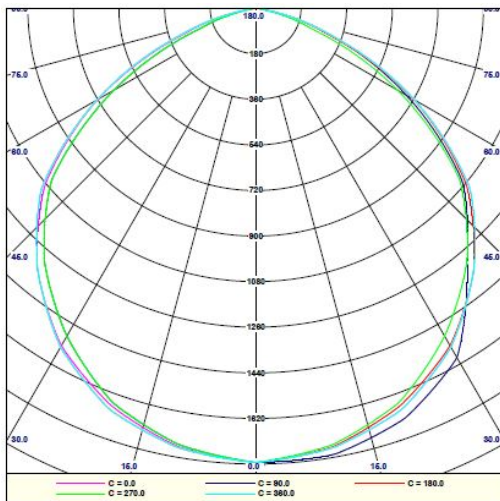
i-View 504 LED Lighting System



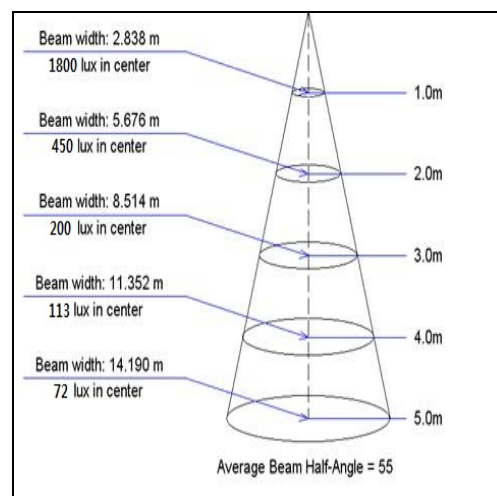
PHYSICAL SPECIFICATION (Unit: mm)



LIGHT DISTRIBUTION



i-Vew504



i-View 504 White (5000K)

CALL
1-714-545-5560

FAX
1-714-545-6093

VISIT
W: WWW.WAMCOINC.COM

EMAIL
E: INFO@WAMCOINC.COM