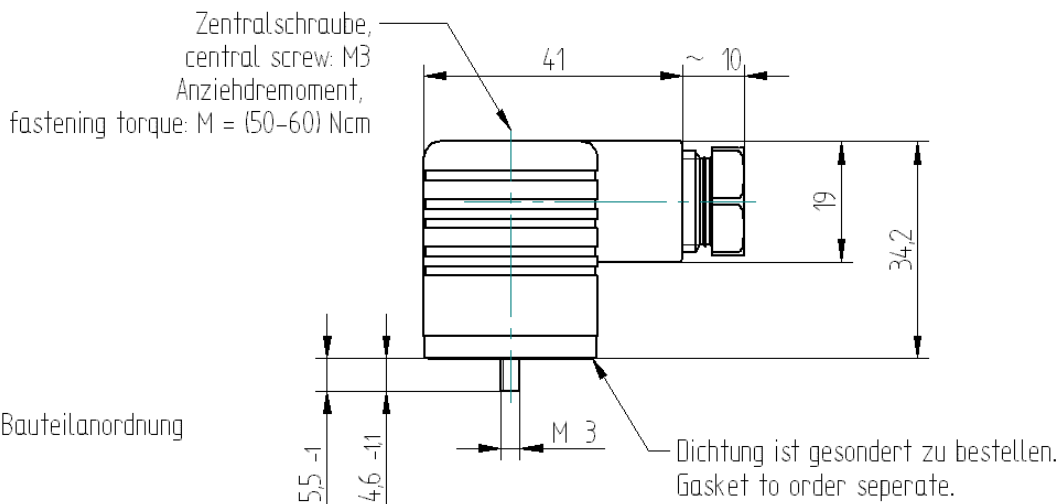
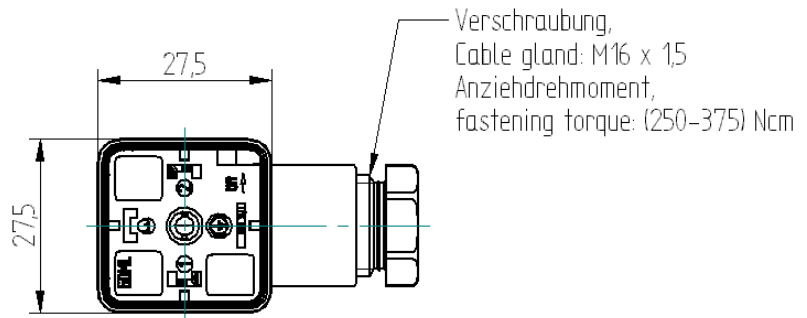
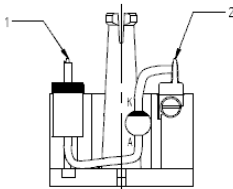


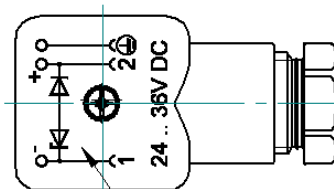
RoHS ✓



Bauteilanordnung



1) 5,5 -1
2) 4,6 -11



Bedruckung siehe letzte Seite
printing see last page

- 1) In montiertem Zustand, Dichtlippe gepresst.
When mounted, sealing lip pressed.
- 2) Im Lieferzustand, Dichtlippe nicht gepresst.
In delivery condition, sealing lip not pressed.

The information/details in this datasheet merely contain general descriptions or performance factors which, when applied in an actual situation, do not always correspond with the described form, and may be amended by way of the further development of products. The desired performance factors shall only be binding if these are expressly agreed on conclusion of the contract.



Product description

Description	Cable socket
Type	GDML 2016 ... TD KB NFF
Order No	934-605-93x, see standard products
Type of contacts	female
Number of contacts	2+PE
Cable gland	M16x1,5
Conductor size	max. 1,5 mm ²
Standard	DIN EN 175301-803-A
Color housing	black
Color contact bearer	black

Description of wiring

Protective circuit	934-605-932: Vishay BY228* ; 1.5KE16A
Protective circuit	934-605-933: Vishay BY228* ; 1.5KE33A

Technical data

Clearance / Creepage distance	DIN EN 60664-1 (2008/01); VDE 0110-1
Rated voltage	934-605-932: 36V DC
Rated voltage	934-605-933: 110V DC
Rated current *	8 A
Mating cycles	max. 50
Type of connection	screw terminal
Suitable cables	Ø4,5 mm to Ø10 mm
Mounting	Central screw M 3

* Notice derating

Materials

Contact	CuZn
Contact plating	Cu/Sn
Contact bearer	PA 66 GF, Ultramid A3UG5, Dinalon A1X25 G30V0, black *
Housing	PA 66 GF, Ultramid A3UG5, Dinalon A1X25 G30V0, black *
Cable gland screw	PA 66 GF, Ultramid A3UG5, Dinalon A1X25 G30V0, black * MVQ, cable gland, red

Environmental conditions

Protection class (IEC 60529) *	IP65 *
Pollution severity	3
Temperature range (connector)	-55°C to +90°C, notice derating **
Temperature range (gasket)	-55°C to +175°C (gasket in cable gland)

* only if mounted and locked in combination with Hirschmann / Lumberg connector.

** Temp.-range cable socket. Notice temp.-range circuit separate.

Flammability class

Housing	UL 94 V-0
Contact bearer	UL 94 V-0
Cable gland screw	UL 94 V-0

Accessories

Scope of delivery	Cable socket
Accessories to order separately	.
732-488-100knurled screw, black	

flat gasket:

730-801-002, NBR, Temp. range: -30°C to +90°C, GDM 3-7, brown
731-739-004, EPDM, Temp. range: -40°C to +125°C, GDM 3-21, brown
731-740-002, MPQ, Temp. range: -55°C to +140°C, GDM 3-17, red

profiled gasket:

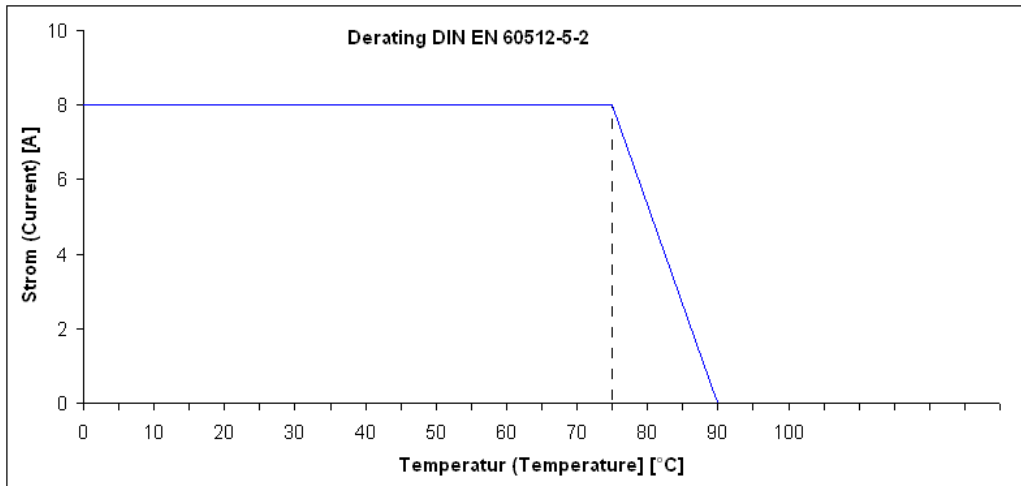
731-531-002, NBR, Temp. range: -30°C to +90°C, GDM 3-16, black
731-532-002, MVQ, Temp. range: -60°C to +180°C, GDM 3-19, red

Additional technical data

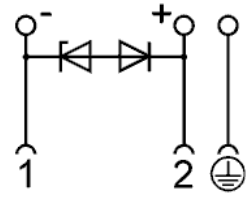
	Dinalon A1X25 G30 V0: E175125
	Dinalon A1X25 G30 V0: E175125
	Dinalon A1X25 G30 V0: E175125
Fastening torque (central screw)	M 3: (50-60) Ncm
Fastening torque (cable gland)	M 16x1,5: (250-375) Ncm
Fastening torque (contact screw)	M 3: (25-30) Ncm*

Cutline

Do not connect or disconnect under load.

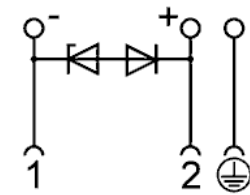


934-605-932 (N62882/F003)



24 .. 36V DC

934-605-933 (N62882/F004)



48 .. 110V DC

Deratingkurve ohne Schaltspiele.
Belastungsgrenzen der Beschaltung sind gesondert zu betrachten.
Die zulässige Strombelastbarkeit der Bauteile ist abhängig von Schaltfrequenz und dem verwendeten Magnetventil.
Beuteile siehe Blatt 2: Beschaltung

Standard products

Artikel-No.	Type	Order No customer
934-605-932	GDML 2016 B 24 TD KB	N62882/F003
934-605-933	GDML 2016 B 110 TD KB	N62882/F004