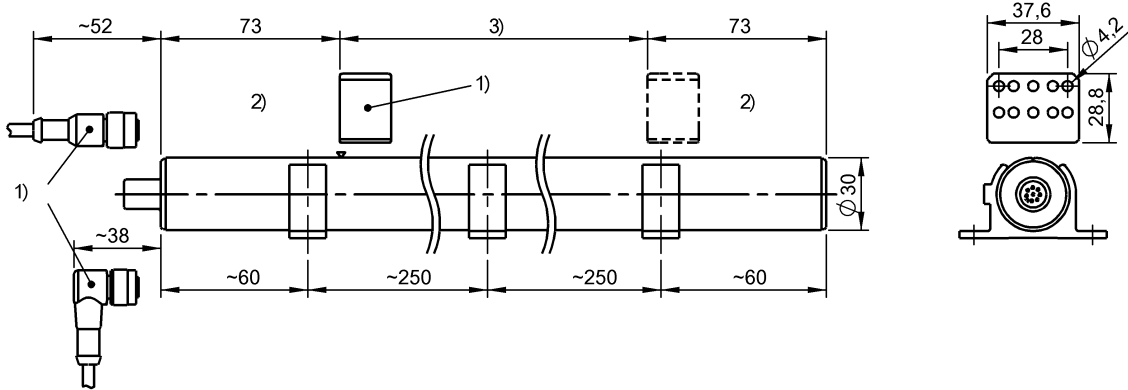


BTL6-A110-M0152-A1-S115 BTL0025



1) not included in scope of delivery 2) Non-usable area 3) Nominal length = Measuring length



Display/Operation

| | |
|-------------------------|----------|
| Error signal Ua falling | ≥ 10.2 V |
| Error signal Ua rising | ≥ 10.2 V |

Electrical connection

| | |
|-----------------------------|---------|
| Connection version | axial |
| Polarity reversal protected | to 36 V |

Electrical data

| | |
|--------------------------------------|--------------|
| Current consumption max. at 24 V DC | 70 mA |
| Galvanic isolation | no |
| Inrush current | ≤ 3 A/0.5 ms |
| MTTF (40 °C) | 84 a |
| Operating voltage Ub | 20...28 VDC |
| Output current max. | 5 mA |
| Output signal adjustable | no |
| Overvoltage protection | yes |
| Voltage-proof up to (GND to housing) | 500 V DC |

Environmental conditions

| | |
|---------------------------------|------------------------------------|
| Ambient temperature | 0...70 °C |
| EN 55016-2-3, Radiation | For industrial and residential use |
| EN 60068-2-27, Continuous shock | 50 g, 2 ms |
| EN 60068-2-27, Shock | 50 g, 6 ms |
| EN 60068-2-6, Vibration | 12 g, 10...2000 Hz |
| EN 61000-4-2, ESD | Severity Level 3 |
| EN 61000-4-3, RFI | Severity Level 3 |
| EN 61000-4-4, Burst | Severity Level 3 |
| EN 61000-4-5, Surge | Severity Level 2 |

EN 61000-4-6, High-frequency fields

EN 61000-4-8, Magnetic fields

Protection type IEC 60529

Relative humidity

Storage temperature

Severity Level 3

Severity Level 4

IP67 with connector

≤ 90 %, non-condensing

-40...100 °C

Functional safety

| | |
|-------------------|----|
| Functional safety | no |
|-------------------|----|

General data

| | |
|-----------------------------------|-------------|
| Approval/Conformity | CE cULus |
| Magnets, number (factory setting) | 1 |
| Position encoders, number max. | 1 |

Material

| | |
|--------------------------------------|-------------------|
| Cover material | Zinc |
| Cover material, note | Die casting |
| Housing material | Aluminum |
| Housing material, surface protection | anodized |
| Material cover | Zinc, Die casting |

Mechanical data

| | |
|---------------------|-----------------|
| Fastening detail | Mounting clamps |
| Installation length | 298 mm |
| Null point | 73.0 mm |
| Profile diameter | 30.0 mm |

Range/Distance

| | |
|------------------|--------|
| Measuring length | 152 mm |
|------------------|--------|

BTL6-A110-M0152-A1-S115 BTL0025

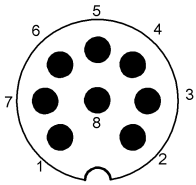
Non-linearity max. $\pm 200 \mu\text{m}$
Repeat accuracy $\leq 10 \mu\text{m}$
Reproducibility $\leq 10 \mu\text{m}$
Resolution $\leq 10 \mu\text{m}$
Ripple U_a max. 5 mV

Sampling rate, length-dependent 1 kHz, standard

For further information on MTTF/B10d, please refer to the MTTF / B10d Certificate.

Specification of the MTTF value and the B10d value do not represent any binding quality and/or life expectancy guarantees.

Connector view



Wiring Diagram

| Pin | |
|-----|------------|
| 1 | GND output |
| 2 | GND output |
| 3 | 10...0 V |
| 4 | NC |
| 5 | 0...10 V |
| 6 | GND |
| 7 | +24 V DC |
| 8 | NC |