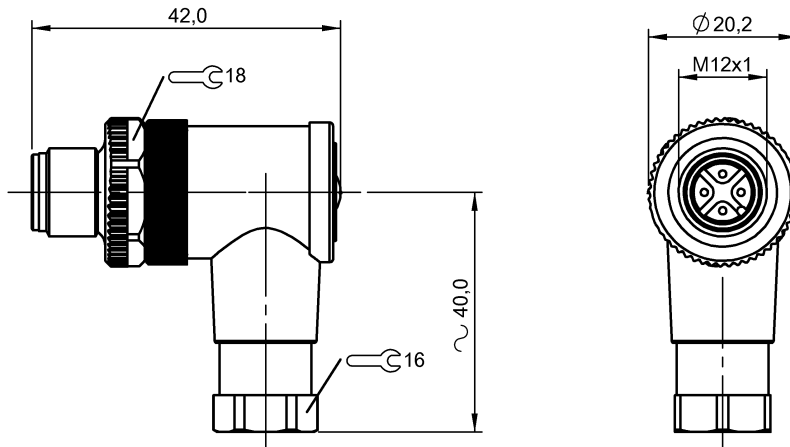


BCC M444-0000-2A-000-41X475-000  
BCC06ZC



## Display/Operation

Power indicator no

## Electrical connection

Cable diameter D 4...6 mm  
Number of pins 4  
System Can be fabricated

## Electrical data

Rated current (40 °C) 4.0 A

## Environmental conditions

Ambient temperature -25...85 °C  
Protection type IEC 60529 IP67

## Material

Material contact carrier PA  
Material contacts Brass  
Material cover nut Die-cast zinc  
Material grip PA

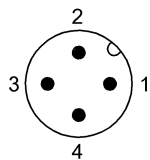
## Mechanical data

Connection cross-section 0.14...0.75 mm<sup>2</sup>  
Tightening torque pigtail 0.6 Nm  
Type of wire mounting Screw terminals

## Remarks

Enclosure rating per IEC 60529, only in screwed state with the associated mating piece.

## Connector view



PIN 1-4 usable